



Chipsmall Limited consists of a professional team with an average of over 10 year of expertise in the distribution of electronic components. Based in Hongkong, we have already established firm and mutual-benefit business relationships with customers from,Europe,America and south Asia,supplying obsolete and hard-to-find components to meet their specific needs.

With the principle of “Quality Parts,Customers Priority,Honest Operation,and Considerate Service”,our business mainly focus on the distribution of electronic components. Line cards we deal with include Microchip,ALPS,ROHM,Xilinx,Pulse,ON,Everlight and Freescale. Main products comprise IC,Modules,Potentiometer,IC Socket,Relay,Connector.Our parts cover such applications as commercial,industrial, and automotives areas.

We are looking forward to setting up business relationship with you and hope to provide you with the best service and solution. Let us make a better world for our industry!



Contact us

Tel: +86-755-8981 8866 Fax: +86-755-8427 6832

Email & Skype: info@chipsmall.com Web: www.chipsmall.com

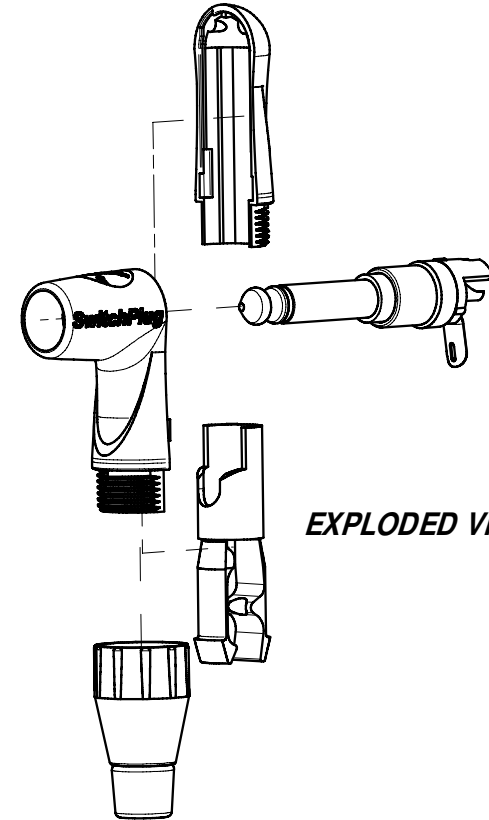
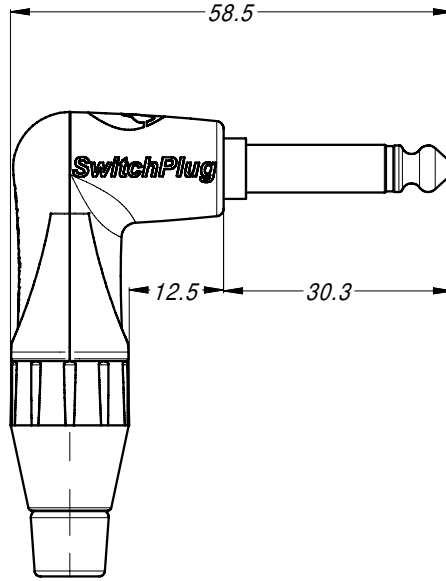
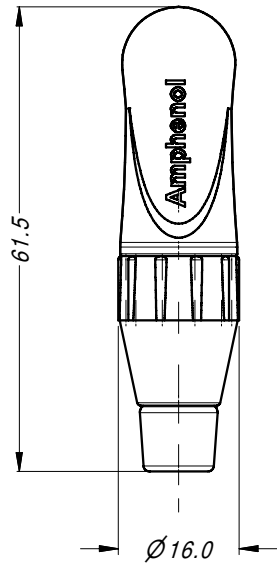
Address: A1208, Overseas Decoration Building, #122 Zhenhua RD., Futian, Shenzhen, China



LEGEND  = KEY PRODUCT CHARACTERISTICS

REVISION HISTORY

REV	DESCRIPTION	BY	DATE	ECN
0	FIRST ISSUE	T.N	26/11/10	8968



EXPLODED VIEW

PART NUMBER BREAKDOWN

TM1R B J - AU BULK

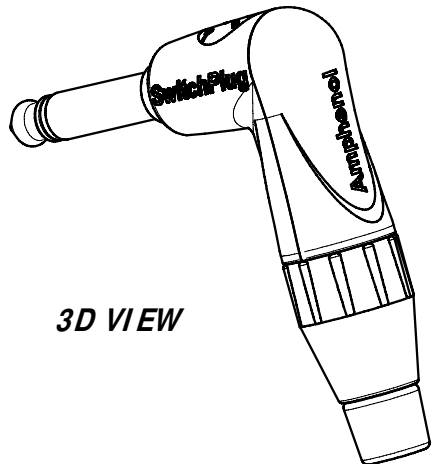
SERIES DESIGNATION

SHELL FINISH
BLANK: NICKEL
B: BLACK

PACKING:
BLANK: SINGLE
BULK: BULK PACK

CONTACT FINISH
BLANK: NICKEL
AU: GOLD

CABLE CLAMP
BLANK: STANDARD
J: LARGE



3D VIEW

NOTES:

- STANDARD JAW CABLE CLAMP (BLACK) USED FOR CABLE OD 3.0 mm TO 5.5mm
LARGE JAW CABLE CLAMP (PURPLE) USED FOR CABLE OD 5.5mm TO 6.5mm

UNLESS OTHERWISE SPECIFIED TOLERANCE TO BE

LINEAR	ANGULAR
X ± 0.5	X' ± 1
X.X ± 0.1	X.X' ± 30'
X.XX ± 0.05	X.XX' ± 15'

BREAK ALL SHARP EDGES AND REMOVE ALL BURRS

DO NOT SCALE

DIMENSIONS IN MILLIMETRES

THIS DOCUMENT IS THE PROPERTY OF AMPHENOL AUSTRALIA PTY. LTD.
NO PART THEREOF MAY BE REPRODUCED AND USED WITHOUT THE PRIOR WRITTEN CONSENT OF THE OWNER

MATERIAL: SEE COMPONENTS

FINISH: SEE PART No.



DRN: T.N DATE: 13/10/10

CKD: P.M DATE: 13/10/10

APP'D: P.M DATE: 13/10/10

SCALE: 1:1 SIZE: A4

Amphenol

Amphenol Australia Pty.Ltd,
2 Fiveways Blvd, Keysborough, VIC 3173

TITLE:
**SWITCH PLUG
RIGHT ANGLE
PRO RANGE**

CAD FILE: 55010717000110

PART No.
SEE P/ No. BREAKDOWN

DRAWING No. **55010717-000-2** SHEET **2/2**