



Chipsmall Limited consists of a professional team with an average of over 10 year of expertise in the distribution of electronic components. Based in Hongkong, we have already established firm and mutual-benefit business relationships with customers from,Europe,America and south Asia,supplying obsolete and hard-to-find components to meet their specific needs.

With the principle of “Quality Parts,Customers Priority,Honest Operation,and Considerate Service”,our business mainly focus on the distribution of electronic components. Line cards we deal with include Microchip,ALPS,ROHM,Xilinx,Pulse,ON,Everlight and Freescale. Main products comprise IC,Modules,Potentiometer,IC Socket,Relay,Connector.Our parts cover such applications as commercial,industrial, and automotives areas.

We are looking forward to setting up business relationship with you and hope to provide you with the best service and solution. Let us make a better world for our industry!



Contact us

Tel: +86-755-8981 8866 Fax: +86-755-8427 6832

Email & Skype: info@chipsmall.com Web: www.chipsmall.com

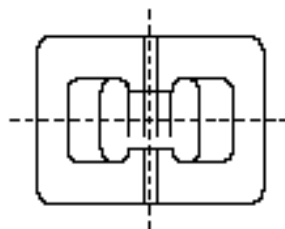
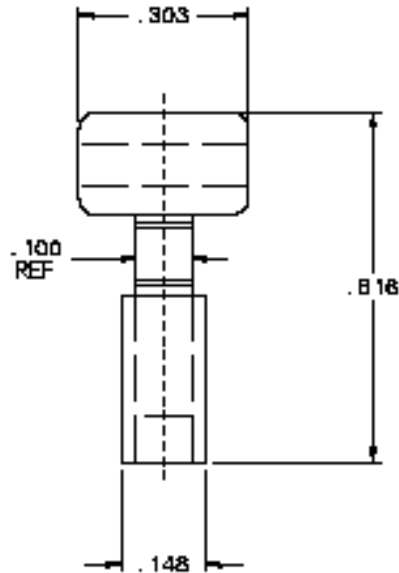
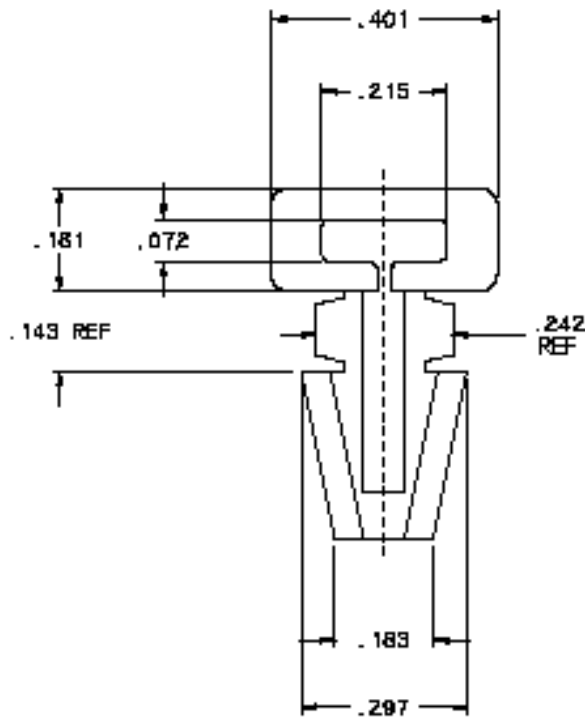
Address: A1208, Overseas Decoration Building, #122 Zhenhua RD., Futian, Shenzhen, China



A	001-A			
DWB REV	DASH-REV PART NO.	CHANGED DATE	RELEASED DATE	BY

DESIGN TEAM	INVENTOR(S) / DATE
-------------	--------------------

ALL PROPRIETARY RIGHTS IN THE SUBJECT MATTER OF OR ON THIS DRAWING ARE EXCLUSIVE PROPERTY OF TYTON CORPORATION



TM1SF_M	1000	T 16 THRU T50	.134	.250
TM1SF_C	100			
CATALOG NUMBER	PACKAGE QUANTITY	CABLE TIE SERIES	MAX PANEL THICKNESS	MOUNTING HOLE DIA

DIMENSIONS	VERIFIED	UNITS	TOLERANCES unless otherwise specified		NAME	PART NAME	TM1SF PUSH MOUNT
	name	date	<input checked="" type="checkbox"/> in <input type="checkbox"/> mm <input type="checkbox"/> mm <input type="checkbox"/> in	.XXX = ±.010 X = .XX = <	DATE		
MATERIAL	NYLON 6/6 WHITE OR BLACK or engineering approved equivalent				DATE	8/30/95	
plot date		scale	drive S		sheet 1 of 1		
7/27/95		3X			CUSTOMER DRAWING NUMBER		
FORMAT AV		VERSION 2			MT\CST\2007001A		
DRAWING NO. WAS							