



Chipsmall Limited consists of a professional team with an average of over 10 year of expertise in the distribution of electronic components. Based in Hongkong, we have already established firm and mutual-benefit business relationships with customers from,Europe,America and south Asia,supplying obsolete and hard-to-find components to meet their specific needs.

With the principle of "Quality Parts,Customers Priority,Honest Operation,and Considerate Service",our business mainly focus on the distribution of electronic components. Line cards we deal with include Microchip,ALPS,ROHM,Xilinx,Pulse,ON,Everlight and Freescale. Main products comprise IC,Modules,Potentiometer,IC Socket,Relay,Connector.Our parts cover such applications as commercial,industrial, and automotives areas.

We are looking forward to setting up business relationship with you and hope to provide you with the best service and solution. Let us make a better world for our industry!



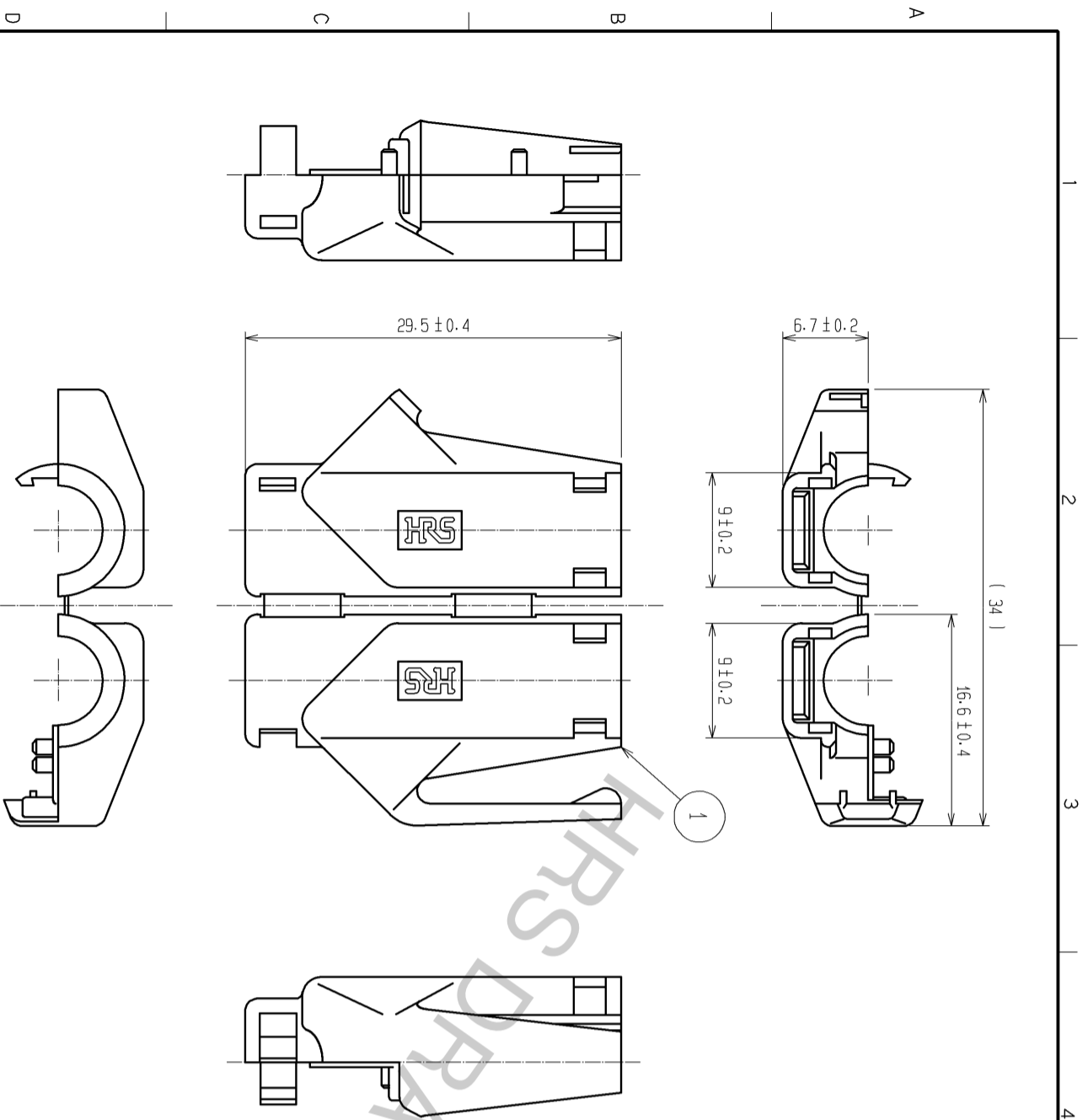
Contact us

Tel: +86-755-8981 8866 Fax: +86-755-8427 6832

Email & Skype: info@chipsmall.com Web: www.chipsmall.com

Address: A1208, Overseas Decoration Building, #122 Zhenhua RD., Futian, Shenzhen, China



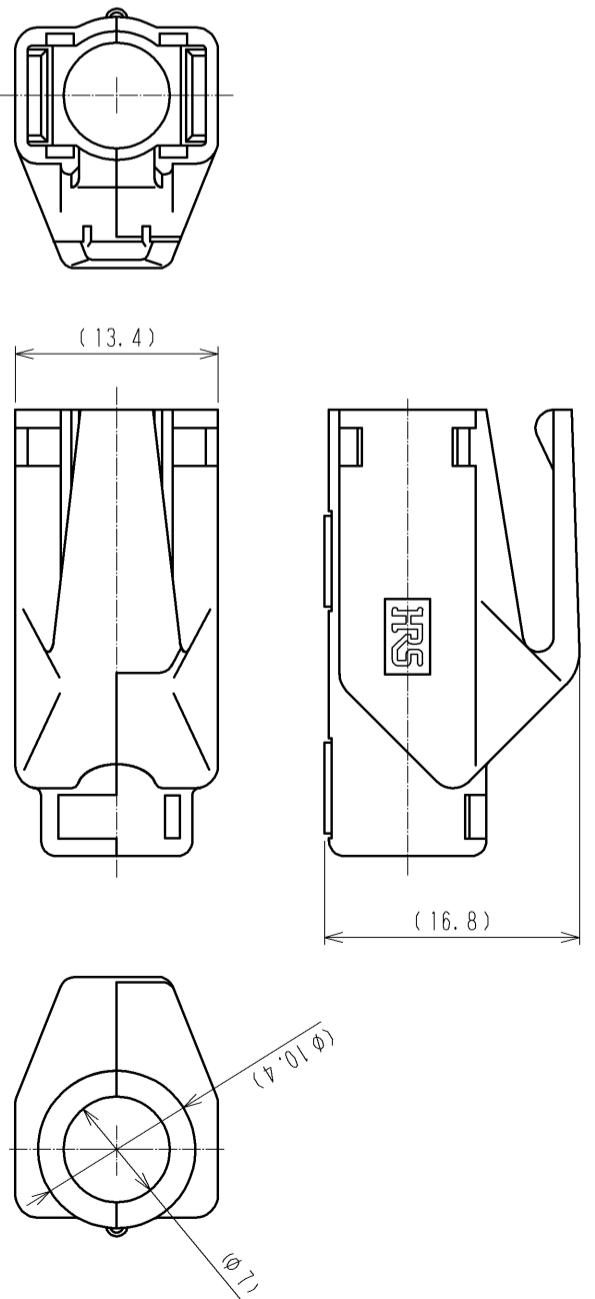


NOTE 1. () INDICATES THE REFERENCE DIMENSIONS.
 2. COLORS ARE SHOWN IN TABLE-1.
 3. PER PACK : 50 PIECES.

2. TABLE-1

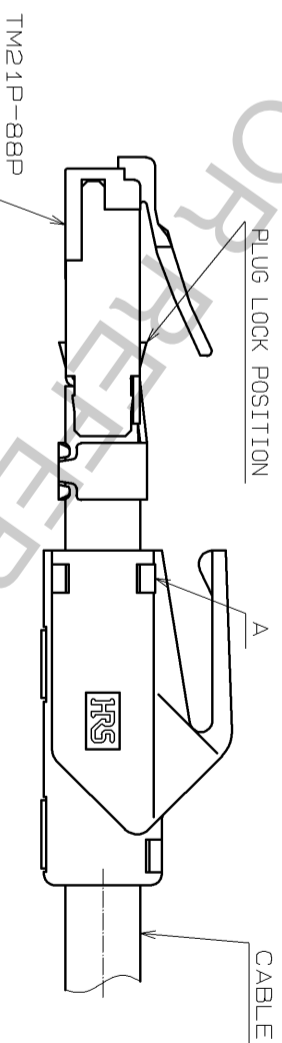
PART No.	HRS No.	COLOR
TM21P-88P(11)	CL222-2862-9-11	LIGHT BEIGE
TM21P-88P(12)	CL222-2862-9-12	MEDIUM GRAY
TM21P-88P(13)	CL222-2862-9-13	BLACK
TM21P-88P(14)	CL222-2862-9-14	NATURAL LIGHT GRAY
TM21P-88P(15)	CL222-2862-9-15	RED
TM21P-88P(16)	CL222-2862-9-16	GREEN
TM21P-88P(17)	CL222-2862-9-17	BLUE
TM21P-88P(18)	CL222-2862-9-18	YELLOW
TM21P-88P(19)	CL222-2862-9-19	ORANGE
TM21P-88P(32)	CL222-2862-9-32	WHITE
TM21P-88P(33)	CL222-2862-9-33	VIOLET
TM21P-88P(34)	CL222-2862-9-34	PINK

ATTACHED HOOD CLOSED

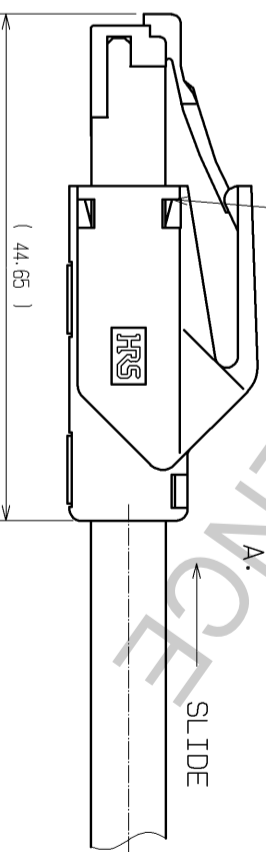


HOOD ATTACHMENT PROCEDURE
 (FREE)

1. FIT THE OPENED HOOD ON THE CABLE
 AND CLOSE. HOOD DIRECTION IS SHOWN
 AS AN EXAMPLE.



2. SLIDE THE CLOSED HOOD TO THE PLUG
 LOCK POSITION UNTIL BEING LOCKED AT
 A.



NO.	MATERIAL	FINISH	REMARKS	NO.	MATERIAL	FINISH	REMARKS
1	POLYAMIDE	(2)	UL94V-2	1	POLYAMIDE	(2)	UL94V-2

UNITS	SCALE	COUNT	DESCRIPTION OF REVISIONS	DESIGNED	CHECKED	DATE
mm	2 : 1	3	DIS-E-001276	TS: ITO	HO: MIWA	07.02.14

APPROVED	CHECKED	DESIGNED	DRAWING	EDC3-121484-01
HO: MIWA	TH: KAMEYA	SS: SATOH	SS: SATOH	TM21P-88P (**)

NO.	PART	NO.	DATE
05.01.05	TM21P-88P (**)	05.01.05	07.02.14