



Chipsmall Limited consists of a professional team with an average of over 10 year of expertise in the distribution of electronic components. Based in Hongkong, we have already established firm and mutual-benefit business relationships with customers from,Europe,America and south Asia,supplying obsolete and hard-to-find components to meet their specific needs.

With the principle of “Quality Parts,Customers Priority,Honest Operation,and Considerate Service”,our business mainly focus on the distribution of electronic components. Line cards we deal with include Microchip,ALPS,ROHM,Xilinx,Pulse,ON,Everlight and Freescale. Main products comprise IC,Modules,Potentiometer,IC Socket,Relay,Connector.Our parts cover such applications as commercial,industrial, and automotives areas.

We are looking forward to setting up business relationship with you and hope to provide you with the best service and solution. Let us make a better world for our industry!



Contact us

Tel: +86-755-8981 8866 Fax: +86-755-8427 6832

Email & Skype: info@chipsmall.com Web: www.chipsmall.com

Address: A1208, Overseas Decoration Building, #122 Zhenhua RD., Futian, Shenzhen, China



FORM HCO011-5-7

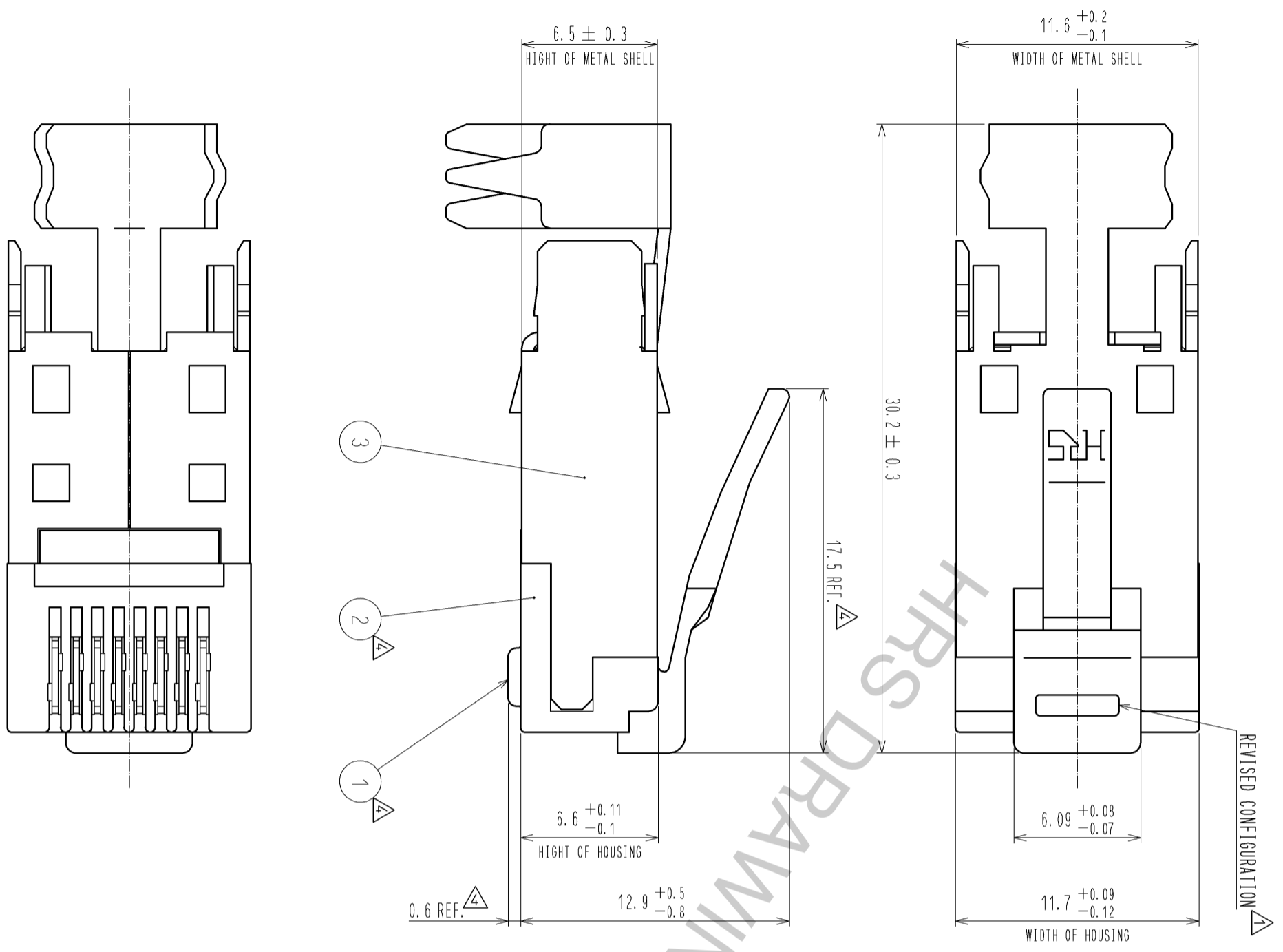
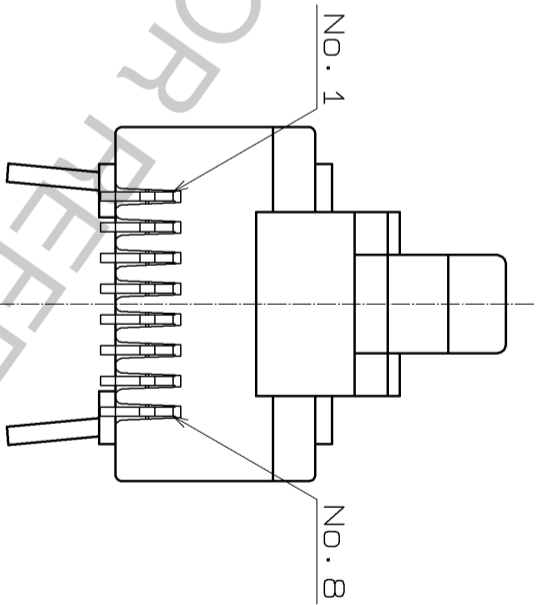
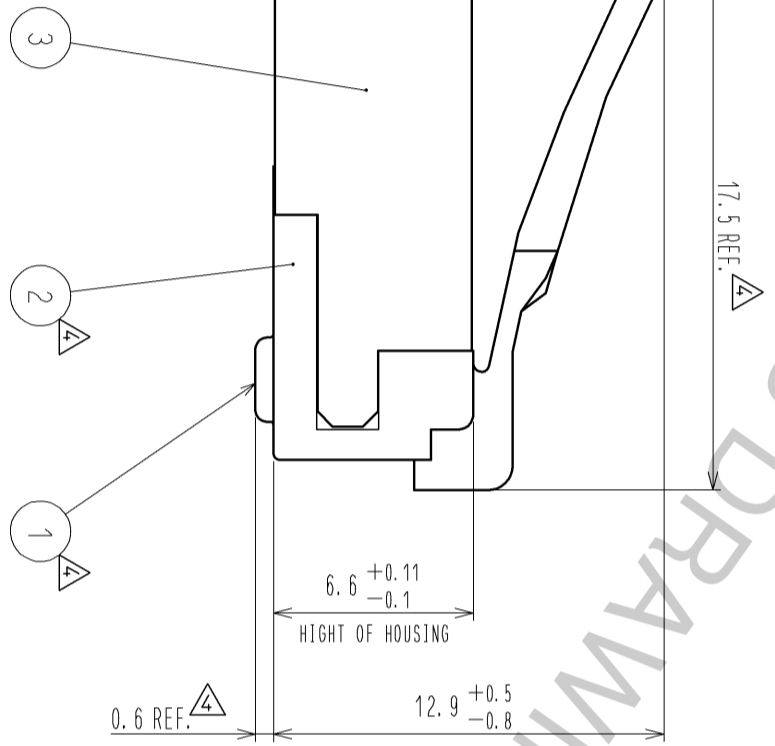


TABLE-1

APPLICABLE CABLE WIRE	
JACKET	SHIELD
CORE	CONDUCTOR
INSULATOR	INSULATOR DIAMETER
JACKET DIAMETER	JACKET DIAMETER
φ 0.5 SOLID WIRE	
AWG#24 STRANDED WIRE (φ 0.277)	
AWG#25 STRANDED WIRE (φ 0.1877)	
(φ 0.9~φ 1.0)	
(φ 6.6)*1	

*1: THE OUTER DIAMETER OF THE VINYL JACKET VARIES SLIGHTLY DEPENDING ON THE HARDNESS. 6.6 DIA. IS FOR REFERENCE.



- NOTES
1. THE DIMENSIONS IN PARENTHESES ARE FOR REFERENCE.
 2. APPLICABLE CABLE IS SHOWN IN TABLE-1.
 3. TO SATISFY CAT5e PERFORMANCE, PLEASE ASSEMBLE ACCORDING TO HRS INSTRUCTION.
 4. APPLY SEPARATELY ORDERED GUIDE PLATE TM21P-88P(22) CL222-2862-9-22.
 5. THIS PRODUCT SATISFIES CAT6 REQUIREMENTS FOR BASIC LINK CONFIGURATION. (THE CONNECTOR BY ITSELF IS NOT CAT6 COMPLIANT.)
- COUNTERPART RECEPTACLE IS SHOWN BELOW.
- TM21R-3C-88(**)
 TM21R-5C-88(**)
 TM21R-5C-88-LP(**)

NO.	UNITS	MATERIAL	FINISH	REMARKS	NO.	MATERIAL	FINISH	REMARKS
1	PHOSPHOR BRONZE	CONTACT: AU PLATING 1.27 μm MIN LEAD : AU PLATING 0.03 μm MIN UNDER : Ni PLATING 2 μm MIN			3	BRASS	OVER : Sn REFLOW PLATING 1 μm MIN UNDER : Cu PLATING 0.5 μm MIN (CLEAR RED) UL94V-2	
2					2	POLYCARBONATE		

SCALE	COUNT	DESCRIPTION OF REVISIONS	DESIGNED	CHECKED	DATE
4:1	12	DIS-E-003226	MT. ITANO	KI. MANGANUMA	10.04.09

Approved: HO. MIWA
 Checked: TH. KAMEYA
 Designed: SS. SATOH
 Drawn: SS. SATOH

EDC3-121484-05
 TM21P-88P(31)
 CL222-2862-9-31



HIROSE ELECTRIC CO., LTD.