



Chipsmall Limited consists of a professional team with an average of over 10 year of expertise in the distribution of electronic components. Based in Hongkong, we have already established firm and mutual-benefit business relationships with customers from,Europe,America and south Asia,supplying obsolete and hard-to-find components to meet their specific needs.

With the principle of "Quality Parts,Customers Priority,Honest Operation,and Considerate Service",our business mainly focus on the distribution of electronic components. Line cards we deal with include Microchip,ALPS,ROHM,Xilinx,Pulse,ON,Everlight and Freescale. Main products comprise IC,Modules,Potentiometer,IC Socket,Relay,Connector.Our parts cover such applications as commercial,industrial, and automotives areas.

We are looking forward to setting up business relationship with you and hope to provide you with the best service and solution. Let us make a better world for our industry!



## Contact us

Tel: +86-755-8981 8866 Fax: +86-755-8427 6832

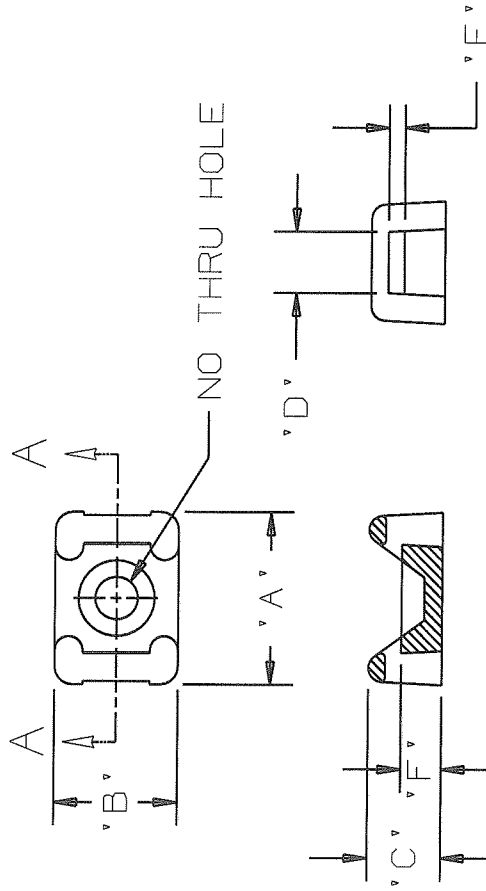
Email & Skype: info@chipsmall.com Web: www.chipsmall.com

Address: A1208, Overseas Decoration Building, #122 Zhenhua RD., Futian, Shenzhen, China



THIS COPY IS PROVIDED ON A RESTRICTED BASIS AND IS NOT TO BE USED IN ANY WAY DETRIMENTAL TO THE INTERESTS OF PANDUIT CORP.

PANDUIT PART NO.	MATERIAL SUFFIX	'A'	'B'	'C'	'D'	'E'	'F'	USE WITH THESE CABLE TIE CROSS SECTIONS	WEIGHT (g) lbs/100 pcs.
TM1A	NONE	.513 (13.0)	.316 (8.0)	.230 (5.8)	.130 (3.3)	.067 (1.7)	.125 (3.2)	MINIATURE ONLY	.07 (31.8)
TM2A	NONE -39	.630 (16.0)	.425 (10.8)	.275 (7.0)	.215 (5.5) ±.020 ±(.5)	.060 (1.5) ±.020 ±(.5)	.155 (3.9)	MINIATURE INTERMEDIATE STANDARD	.15 (67.9)
TM3A	NONE	.875 (22.2)	.620 (15.8)	.375 (9.5)	.320 (8.1) ±.020 ±(.5)	.088 (2.2) ±.020 ±(.5)	.210 (5.3)	MINIATURE INTERMEDIATE STANDARD LIGHT HEAVY	.36 (163.4)



SECTION A - A

MATERIAL SUFFIX	MATERIAL	COLOR
NONE	NYLON 6/6	NATURAL
-39	HEAT STABILIZED NYLON	NATURAL

NOTE:

- SEE CURRENT PRICE SHEET FOR PART NUMBER SUFFIX DESIGNATION FOR PACKAGE SIZE.
- CUSTOMER MUST SUPPLY ADHESIVE FOR FASTENING.

DIMENSIONS IN BRACKETS ARE METRIC [ mm ]

CHD FILENAME/LAYERS G03597JV\_DC\_GB0239CM/00B



PANDUIT CORP. TINLEY PARK, ILLINOIS

TIE MOUNT - TM\_A

UNLESS OTHERWISE SPECIFIED, DIMENSIONAL TOLERANCES ARE: (.X) ±0.05 (1.3) (1.XXX) ±0.10 (0.25) (.XX) ±0.02 (0.5) ANGLES ± 5°	UNLESS OTHERWISE SPECIFIED, ALL DIMENSIONS ARE GIVEN IN INCHES, THIRD ANGLE PROJECTION.
DRAWN BY: GDH	SCALE: NONE
DATE: 02-20-95	DRAWING NO. GB0239CM
CHK'D: KLN	SIZE: A

REV	DATE	BY	CHK	DESCRIPTION	ECN	R	CUST	SUP
00B	10/01/08	ARHA		-39 MATERIAL ADDED; TABLES MODIFIED; CHANGED FILENAME AND REVISION STYLE.	00B		KLN	
7	8-16-02	LGG		CHG TM3A DIM ON 'E' (WAS .089(2.3) ADDED ± TO 'E' & 'D' FOR TM2A & TM3A	7			
6	07-31-00	GDH		TM3A DIM. 'E' WAS: .080(12.0), ±.020(1.5)	6			
5	7-19-99	CGSM		REMOVED BOLD FONTS FROM DIM TABLE	5			