



Chipsmall Limited consists of a professional team with an average of over 10 year of expertise in the distribution of electronic components. Based in Hongkong, we have already established firm and mutual-benefit business relationships with customers from,Europe,America and south Asia,supplying obsolete and hard-to-find components to meet their specific needs.

With the principle of “Quality Parts,Customers Priority,Honest Operation,and Considerate Service”,our business mainly focus on the distribution of electronic components. Line cards we deal with include Microchip,ALPS,ROHM,Xilinx,Pulse,ON,Everlight and Freescale. Main products comprise IC,Modules,Potentiometer,IC Socket,Relay,Connector.Our parts cover such applications as commercial,industrial, and automotives areas.

We are looking forward to setting up business relationship with you and hope to provide you with the best service and solution. Let us make a better world for our industry!



Contact us

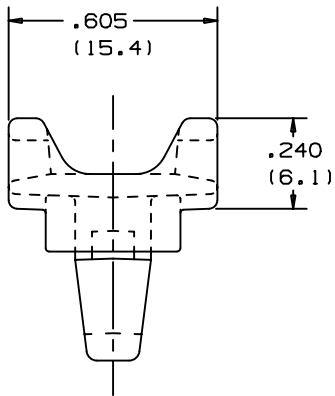
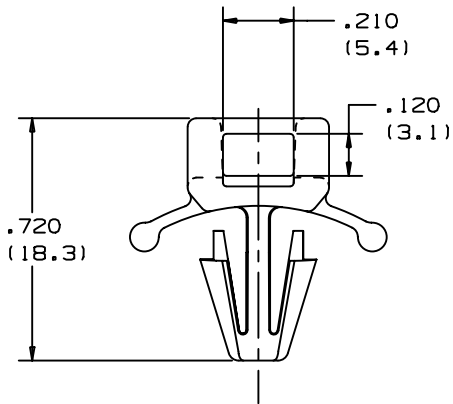
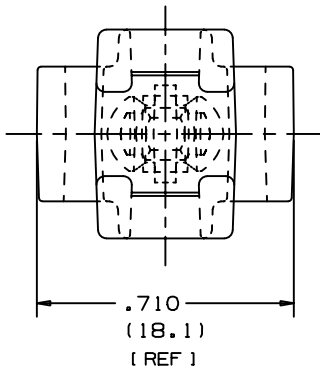
Tel: +86-755-8981 8866 Fax: +86-755-8427 6832

Email & Skype: info@chipsmall.com Web: www.chipsmall.com

Address: A1208, Overseas Decoration Building, #122 Zhenhua RD., Futian, Shenzhen, China



THIS COPY IS PROVIDED ON A RESTRICTED BASIS AND IS NOT TO BE USED IN ANY WAY DETRIMENTAL TO THE INTERESTS OF PANDUIT CORP.



PANDUIT PART NO. *	USE WITH CABLE TIES **	PANEL DIMENSIONS		WEIGHT LBS. / 100 PCS. (g)
		THICKNESS	HOLE SIZE	
TM2PWH25	M , I , S	.09 (2.3) MAX.	.25 (6.4)	.19 LBS. (85.6 g)

NOTES:

- * 1. SEE CURRENT PRICE SHEET FOR PART NUMBER SUFFIX DESIGNATION, PACKAGE SIZE, AND COLOR.
- ** 2. CABLE TIE CROSS SECTION CODE:
 M = MINIATURE
 I = INTERMEDIATE
 S = STANDARD
 LH = LIGHT HEAVY
 H = HEAVY

(DIMENSIONS IN PARENTHESIS ARE IN METRIC.)

CAD FILENAME/LAYERS G00239JJ_PB_TM2PWH25_00



CORP. TINLEY PARK, ILLINOIS

PUSH BARB TIE MOUNT
TM2PWH25

UNLESS OTHERWISE SPECIFIED,
DIMENSIONAL TOLERANCES ARE:
(.X) ±0.1 (2.5) (.XXX) ±0.020 (.5)
(.XX) ±0.05 (1.3) ANGLES ±5°

UNLESS OTHERWISE SPECIFIED,
ALL DIMENSIONS ARE GIVEN
IN INCHES, THIRD ANGLE PROJECTION.

DRAWN BY
LGG

MAT'L:

SCALE 2:1

DATE
9-4-02

NYLON 6/6

DRAWING NO.

G00239JJ

DWG
A

CHK'D

SIZE

REV	DATE	BY	CHK	DESCRIPTION	ECN	R	CUST	SUP
R	9-4-02	LGG		INITIAL RELEASE. REPLACED G-02169	G00239JJ	R		