



Chipsmall Limited consists of a professional team with an average of over 10 year of expertise in the distribution of electronic components. Based in Hongkong, we have already established firm and mutual-benefit business relationships with customers from,Europe,America and south Asia,supplying obsolete and hard-to-find components to meet their specific needs.

With the principle of “Quality Parts,Customers Priority,Honest Operation,and Considerate Service”,our business mainly focus on the distribution of electronic components. Line cards we deal with include Microchip,ALPS,ROHM,Xilinx,Pulse,ON,Everlight and Freescale. Main products comprise IC,Modules,Potentiometer,IC Socket,Relay,Connector.Our parts cover such applications as commercial,industrial, and automotives areas.

We are looking forward to setting up business relationship with you and hope to provide you with the best service and solution. Let us make a better world for our industry!



Contact us

Tel: +86-755-8981 8866 Fax: +86-755-8427 6832

Email & Skype: info@chipsmall.com Web: www.chipsmall.com

Address: A1208, Overseas Decoration Building, #122 Zhenhua RD., Futian, Shenzhen, China



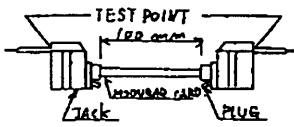

A	REVISIONS	BY	CHKD	DATE	B	REVISIONS	BY	CHKD	DATE
△					△				
△					△				

APPLICABLE STANDARD		CONTACT No. 1-6		AC 125 V	APPLICABLE CABLES	
RATING	VOLTAGE	DC	V			
	CURRENT	CONTACT No. 1-6	500 mA		IMPEDANCE FREQUENCY RANGE	Ω (0- Hz)
	POWER				OPERATING TEMPERATURE RANGE	-25 °C ~ 60 °C
	SPECIALTY					

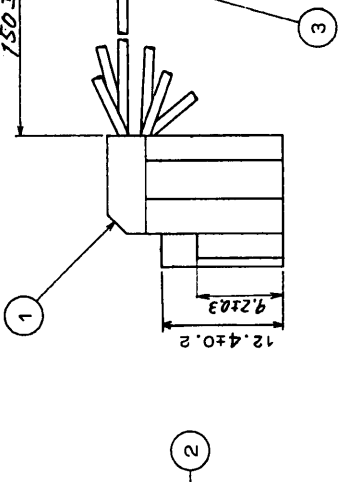
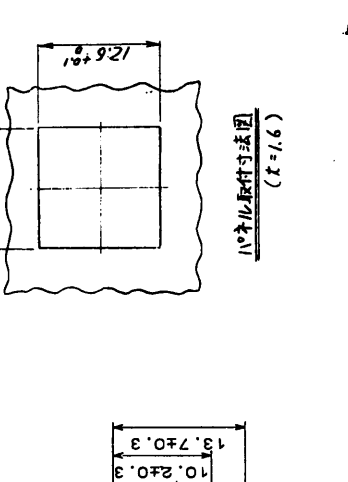
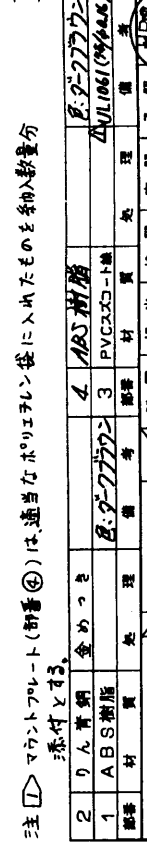
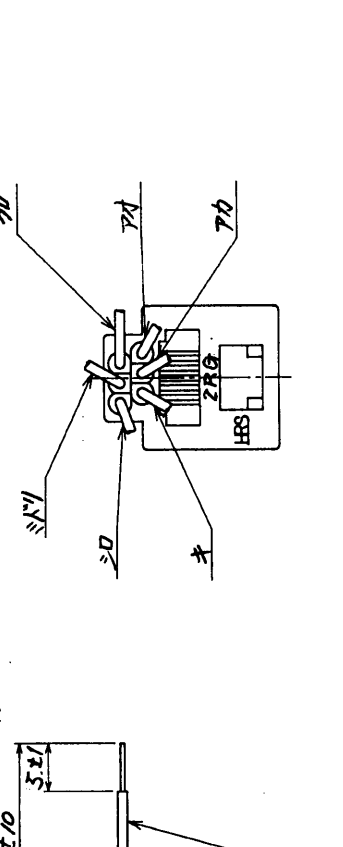
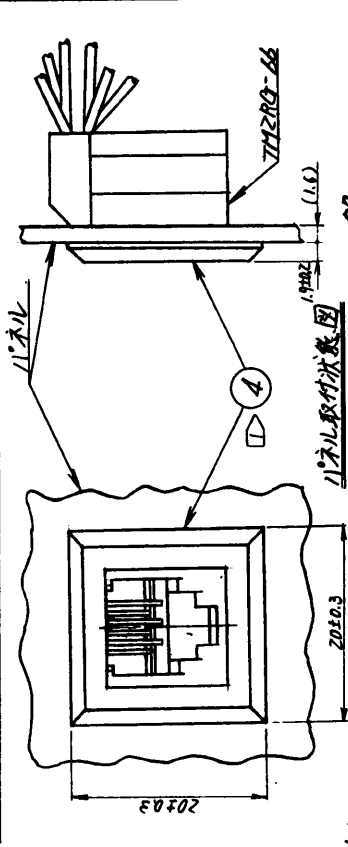
SPECIFICATIONS

No.	ITEM	CONDITIONS	TEST STANDARD	MIN	MAX	UNITS	QT	AT	
1	DESIGN-MATERIAL-FINISH	ADC		-	-	-	0	0	
2	MARKING	Applicable Std. and DC - 23114		-	-	-	0	0	
3	INSULATION RESISTANCE	Must be over standard value at DC 100 V.		100	-	MΩ	0	0	
4	CONTACT RESISTANCE	The voltage drop must be under the Std. value at DC 100 mA.		-	200	mΩ	0	0	
	Unit CONTACT CONTACT	The voltage drop must be under the Std. value at DC A.		-	-	mΩ	-	-	
5	DIELECTRIC WITHSTANDING VOLTAGE	Must keep the AC 500 V for one minute.		-	-	-	0	0	
6	V SWR	Must be under the Std. value at frequency ~ Hz.		-	-	-	-	-	
7	INSERTION LOSS	Must be under the Std. value at frequency ~ Hz.		-	-	dB	-	-	
8	LOW LEVEL CIRCUIT	The Contact Resistance must be under the Std. value at DC 20mV less and 1 mA.		-	200	mΩ	0	0	
9	CONTACT ENGAGEMENT AND SEPARATION FORCES	Must be suitable for the Std. gauge size value at applicable gauge.		-	-	N	-	-	
	MATING AND UNMATING FORCES	Must be suitable for the Std. value.		-	-	N	-	-	
10	HUMIDITY	Insulation resistance must be over the Std. value at 40 °C 90-95% 500 hours.	at high humidity	JIS C 5402	1	-	MΩ	0	-
			after high humidity	7.3	10	-	MΩ	0	-
11	VIBRATION	Must have no damage, crack and looseness of parts at Frequency range 10-55 Hz. Total amplitude 1.5 mm, 1/2 at 2 hours for 3 directions.	JIS C 5402	-	-	-	0	-	
12	SHOCK	Must have no damage, crack and looseness of parts 490 1/2 at 3 times for 3 directions.	JIS C 5402	-	-	-	0	-	
13	TEMPERATURE CYCLING	Must have no damage, crack and looseness of parts for -55-85 °C 5 cycles.	JIS C 5402	-	-	-	0	-	
14	DURABILITY Unit CONTACT CONTACT	Must be less than the Std. value after times insertion and extraction at the condition described in above item No.4.		-	220	mΩ	0	-	
				-	-	mΩ	-	-	
15	SALT SPRAY (CORROSION)	Must not have heavy corrosion after 5 x salt water spray for 48 hours.		-	-	-	0	-	
16	WATER PRESSURE WITHSTANDING	No leakage at depth m Pa hours.		-	-	-	-	-	
17	AIR PRESSURE WITHSTANDING	No leakage at pressure Pa Pa min sec		-	-	-	-	-	

FOR REFERENCE ONLY
Subject to change without notice

REMARKS (1) CONTACT RESISTANCE TEST CONDITION 	APPROVED	A. Nakagawa	92.9.1	ISSUED BY  HRS 5 9 '01 USA
	REVIEWED			
	CHECKED	H. Miwa	92.9.1	
	DESIGNED	S. Sato	92.8.29	
	DRAWN	S. Sato	92.8.29	
DRAWING No.		SLC4-23114		PART No.
		SPECIFICATION SHEET		TM2R9-266-5S-150
				CODE No.
				CL222-1078-7-

△の欄	訂正記事	年月日	△の欄	訂正記事	年月日
△	1 RE-6425	67.4.17	△		
△			△		
△			△		



注 ① マウントプレート(部番④)は、適当なポリエチレン袋に入れたものを各納入数単位
添付とする。

2	りん青銅	金めっき	ABS樹脂	4	ABS樹脂	△UL1061(99644)	△UL1061(99644)	△UL1061(99644)	△UL1061(99644)	△UL1061(99644)	△UL1061(99644)	△UL1061(99644)	△UL1061(99644)	△UL1061(99644)	△UL1061(99644)
1	ABS樹脂			3	PVCスコート線										

FOR REFERENCE ONLY
Subject to change without notice

製造
販売
B7C