



Chipsmall Limited consists of a professional team with an average of over 10 year of expertise in the distribution of electronic components. Based in Hongkong, we have already established firm and mutual-benefit business relationships with customers from,Europe,America and south Asia,supplying obsolete and hard-to-find components to meet their specific needs.

With the principle of “Quality Parts,Customers Priority,Honest Operation,and Considerate Service”,our business mainly focus on the distribution of electronic components. Line cards we deal with include Microchip,ALPS,ROHM,Xilinx,Pulse,ON,Everlight and Freescale. Main products comprise IC,Modules,Potentiometer,IC Socket,Relay,Connector.Our parts cover such applications as commercial,industrial, and automotives areas.

We are looking forward to setting up business relationship with you and hope to provide you with the best service and solution. Let us make a better world for our industry!



Contact us

Tel: +86-755-8981 8866 Fax: +86-755-8427 6832

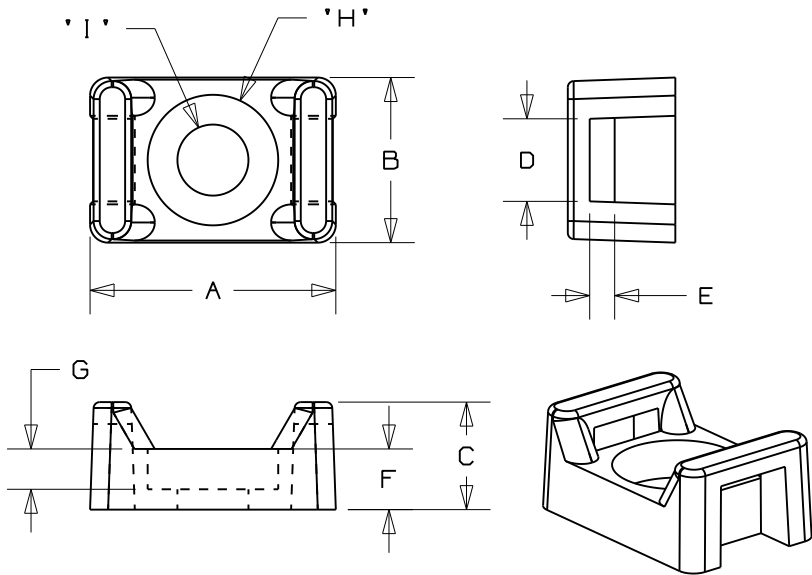
Email & Skype: info@chipsmall.com Web: www.chipsmall.com

Address: A1208, Overseas Decoration Building, #122 Zhenhua RD., Futian, Shenzhen, China



THIS COPY IS PROVIDED ON A RESTRICTED BASIS AND IS NOT TO BE USED IN ANY WAY DETRIMENTAL TO THE INTERESTS OF PANDUIT CORP.

PANDUIT PART #	RECOMMENDED FASTENER	A	B	C	D +.015 (+.38) -.005 (-.13)	E	F	G (REF)	H (REF)	I (REF)	USE WITH CABLE TIE CROSS SECTIONS	WEIGHT 100 pcs lbs (g)
TM2S8-76	#8 (M4) SCREW	.630 (16.0)	.425 (10.8)	.275 (7.0)	.215 (5.5)	.060 (1.5)	.155 (3.9)	.105 (2.7)	.325 (8.3)	.175 (4.4)	MINIATURE INTERMEDIATE STANDARD	.16 (73)
TM3S8-76		.855 (21.7)	.610 (15.5)	.375 (9.5)	.320 (8.1)	.089 (2.3)	.205 (5.2)	.110 (2.8)	.325 (8.3)	.175 (4.4)	STANDARD LIGHT HEAVY	.54 (245)
TM3S10-76	#10 (M5) SCREW	.855 (21.7)	.610 (15.5)	.375 (9.5)	.320 (8.1)	.089 (2.3)	.205 (5.2)	.110 (2.8)	.385 (9.8)	.193 (4.9)		



NOTES:

1. SEE CURRENT PRICE SHEET FOR PART NUMBER SUFFIX DESIGNATION FOR PACKAGE SIZE.
2. COUNTERBORE HOLE TO PROVIDE LESS OF AN OBSTRUCTION TO THE BUNDLE.
3. UNIQUE CRADLE DESIGN PROVIDES MAXIMUM STABILITY AND RIGIDITY TO THE WIRE BUNDLE.
4. TEFZEL OFFERS A RESISTANCE TO ENVIRONMENTAL STRESSES SUCH AS CHEMICAL ATTACK, GAMMA RADIATION, ULTRAVIOLET RADIATION AND EXTREME TEMPERATURES.
5. TEFZEL HAS A UL FLAMMABILITY RATING OF UL94V-0.

DIMENSIONS IN PARENTHESIS ARE IN METRIC UNITS

CAD FILENAME/LAYERS W10001CR/04-SS-27262

PANDUIT CORP. TINLEY PARK, ILLINOIS

TM2, TM3 TIE MOUNTS
ELEVATED TEMPERATURE SERIES

UNLESS OTHERWISE SPECIFIED,
DIMENSIONAL TOLERANCES ARE:
(.X) ± .1(2.5)(.XXX) ± .020(.51)
(.XX) ± .02(.5) ANGLES ± 5°

UNLESS OTHERWISE SPECIFIED,
ALL DIMENSIONS ARE GIVEN
IN INCHES, THIRD ANGLE PROJECTION.

DRAWN BY BSH	MAT'L: TEFZEL FLUOROPOLYMER COLOR: -76/AQUA BLUE	SCALE NONE
DATE 5/19/00	REG. T.M. OF E.I. DuPont De Nemours Co.	DRAWING NO. SS-27262
CHK'D HVP		DWG A SIZE

REV	DATE	BY	CHK	DESCRIPTION	ECN	R	CUST	SUP
4	9/10/08	ERW	<i>ERW</i>	UPDATED DIMENSION 'H'. SEE ECN FOR DETAILS.	SS-27262	4	<i>ERW</i>	