



Chipsmall Limited consists of a professional team with an average of over 10 year of expertise in the distribution of electronic components. Based in Hongkong, we have already established firm and mutual-benefit business relationships with customers from,Europe,America and south Asia,supplying obsolete and hard-to-find components to meet their specific needs.

With the principle of “Quality Parts,Customers Priority,Honest Operation,and Considerate Service”,our business mainly focus on the distribution of electronic components. Line cards we deal with include Microchip,ALPS,ROHM,Xilinx,Pulse,ON,Everlight and Freescale. Main products comprise IC,Modules,Potentiometer,IC Socket,Relay,Connector.Our parts cover such applications as commercial,industrial, and automotives areas.

We are looking forward to setting up business relationship with you and hope to provide you with the best service and solution. Let us make a better world for our industry!



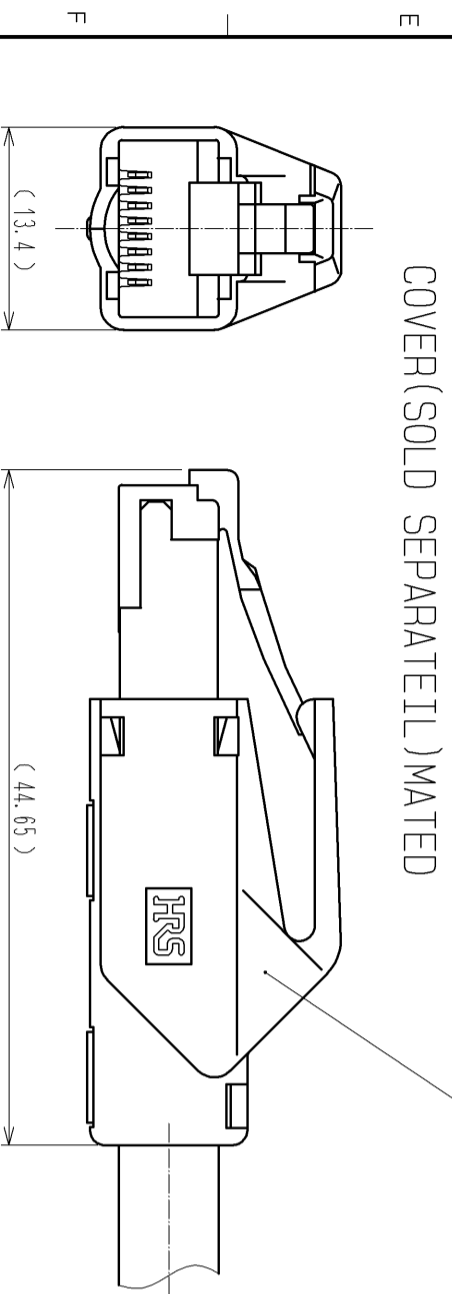
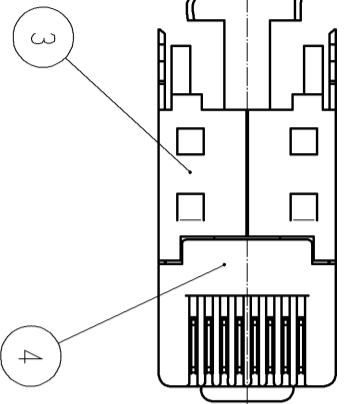
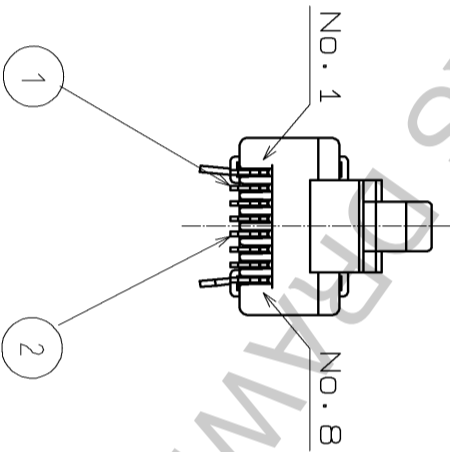
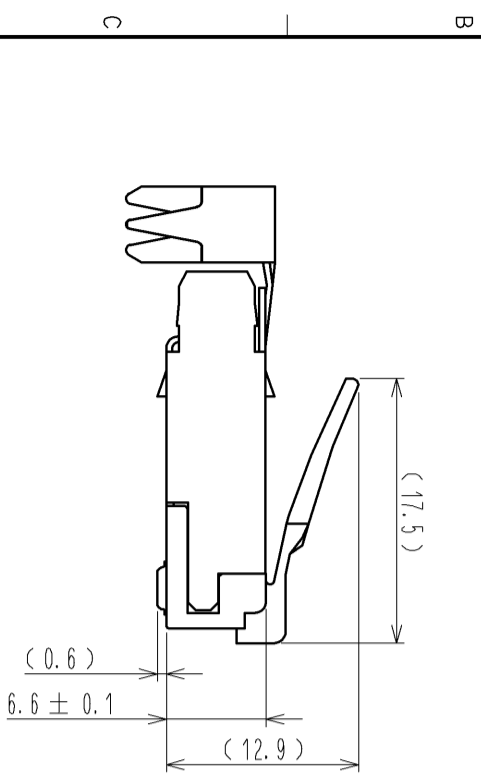
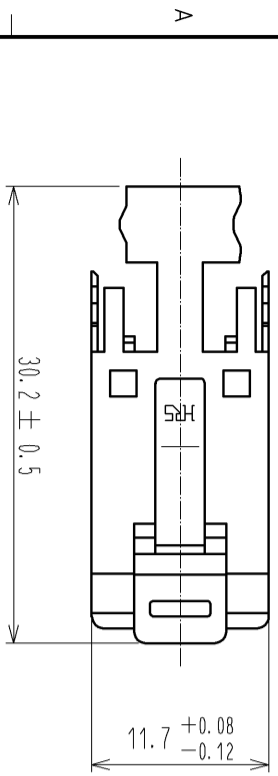
Contact us

Tel: +86-755-8981 8866 Fax: +86-755-8427 6832

Email & Skype: info@chipsmall.com Web: www.chipsmall.com

Address: A1208, Overseas Decoration Building, #122 Zhenhua RD., Futian, Shenzhen, China





COVER(SOLD SEPARATELY)MATED

4 CL2222-2862-9-**-
TM21P-88P (**)

TABLE-1

APPLICABLE CABLE WIRE			
	CONDUCTOR	AWG#24 STRANDED WIRE	
	INSULATOR DIAMETER	AWG#27 STRANDED WIRE	
JACKET DIAMETER	($\phi 0.9 \sim \phi 1.0$)		
JACKET DIAMETER	($\phi 5.8 \sim \phi 6.0$)		

NOTES
 1. APPLICABLE CABLE IS SHOWN IN TABLE-1
 2. () INDICATES THE REFERENCE DIMENSIONS.
 3. TO SATISFY CAT6a PERFORMANCE, PLEASE ASSEMBLE ACCORDING TO HRS INSTRUCTION. (ETAD-E2847)
 4. COLORS ARE DIFFERENT DEPENDING ON THE SPECIFICATION NUMBER.

2	PHOSPHOR BRONZE	CONTACT: GOLD PLATING 1.27 μ m MIN LEAD: GOLD PLATING 0.03 μ m MIN UNDER: NICKEL PLATING 2 μ m MIN			
1	PHOSPHOR BRONZE	CONTACT: GOLD PLATING 1.27 μ m MIN LEAD: GOLD PLATING 0.03 μ m MIN UNDER: NICKEL PLATING 2 μ m MIN			
4	POLYCARBONATE	(YELLOW) UL94V-2			
3	STAINLESS STEEL	OVER-NICKEL PLATING 0.5 μ m MIN			

NO.	MATERIAL	FINISH . REMARKS	NO.	MATERIAL	FINISH . REMARKS
1	PHOSPHOR BRONZE		1		
2	PHOSPHOR BRONZE		2		
3	STAINLESS STEEL		3		
4	POLYCARBONATE		4		

UNITS	SCALE	COUNT	DESCRIPTION OF REVISIONS	DESIGNED	CHECKED	DATE
mm	2 : 1					

APPROVED : YH. ENAMI	09.06.02	DRAWING NO.	EDC3-126868-01
CHECKED : YH. ENAMI	09.06.02	PART NO.	TM31P-TM-88P(01)
DESIGNED : MT. ITANO	09.06.02	CODE NO.	CL2222-4626-7-01
DRAWN : MT. ITANO	09.06.02		