



Chipsmall Limited consists of a professional team with an average of over 10 year of expertise in the distribution of electronic components. Based in Hongkong, we have already established firm and mutual-benefit business relationships with customers from,Europe,America and south Asia,supplying obsolete and hard-to-find components to meet their specific needs.

With the principle of “Quality Parts,Customers Priority,Honest Operation,and Considerate Service”,our business mainly focus on the distribution of electronic components. Line cards we deal with include Microchip,ALPS,ROHM,Xilinx,Pulse,ON,Everlight and Freescale. Main products comprise IC,Modules,Potentiometer,IC Socket,Relay,Connector.Our parts cover such applications as commercial,industrial, and automotives areas.

We are looking forward to setting up business relationship with you and hope to provide you with the best service and solution. Let us make a better world for our industry!



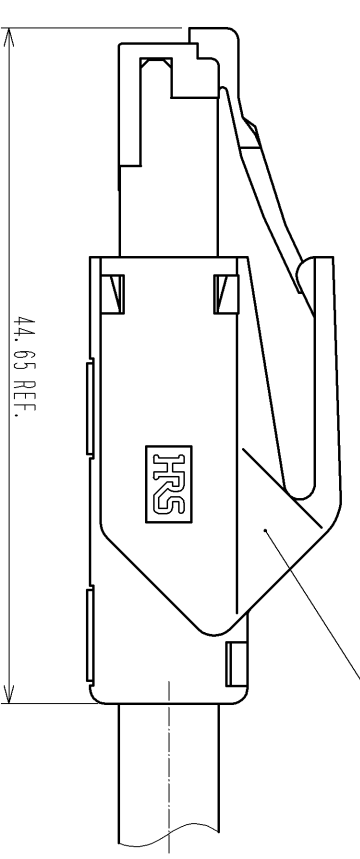
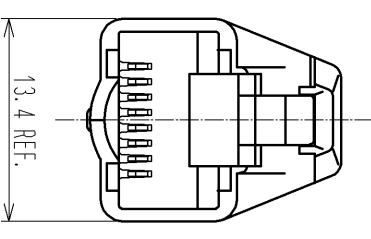
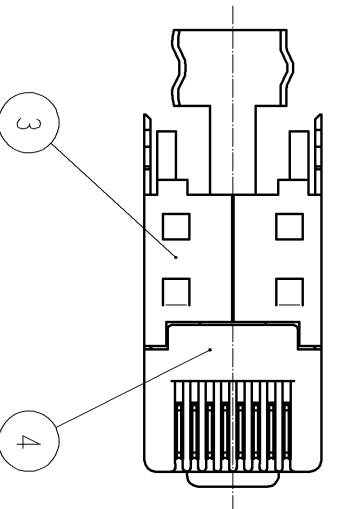
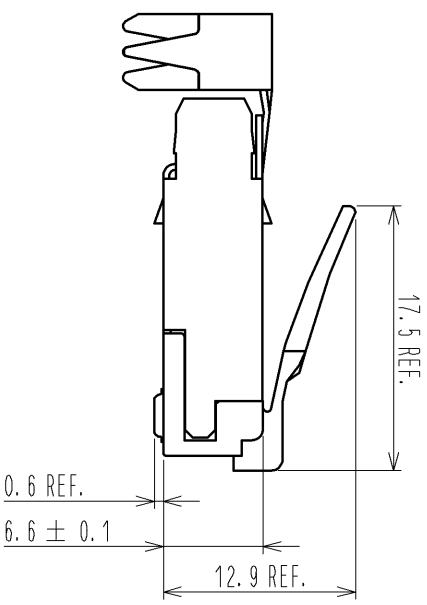
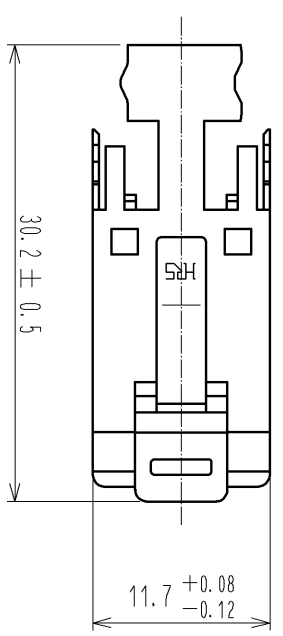
## Contact us

Tel: +86-755-8981 8866 Fax: +86-755-8427 6832

Email & Skype: info@chipsmall.com Web: www.chipsmall.com

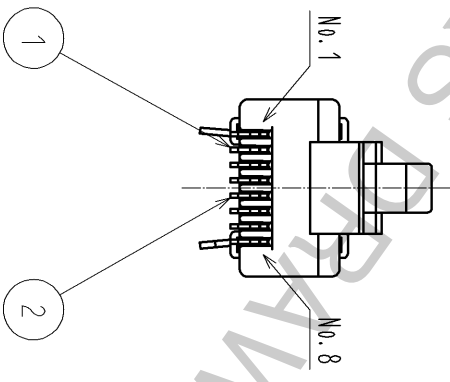
Address: A1208, Overseas Decoration Building, #122 Zhenhua RD., Futian, Shenzhen, China





COVER(SOLD SEPARATELY)MATED

③ CL222-2862-9-\*\*-  
TM21P-88P(\*\*)



① TABLE-1

APPLICABLE CABLE WIRE			
	JACKET		
	BRAIDED SHIELD		AWG#24 STRANDED WIRE
	CONDUCTOR		TO AWG#27 STRANDED WIRE
	INSULATOR DIAMETER		φ0.9 TO φ1.0
	JACKET DIAMETER		φ5.8 TO φ6.0

NOTES ① APPLICABLE CABLE IS SHOWN IN TABLE-1.

2. REFER TO HRS INSTRUCTION MANUAL(ETAD-E2847) FOR CABLE ASSEMBLING THAT MEETS CAT6b PERFORMANCE.

③ COLORS ARE DIFFERENT DEPENDING ON THE SPECIFICATION NUMBER.

2	PHOSPHOR BRONZE	CONTACT:GOLD PLATING 1.27μm MIN LEAD :GOLD PLATING 0.03μm MIN UNDER :NICKEL PLATING 2μm MIN			
1	PHOSPHOR BRONZE	CONTACT:GOLD PLATING 1.27μm MIN LEAD :GOLD PLATING 0.03μm MIN UNDER :NICKEL PLATING 2μm MIN			
NO.	MATERIAL	FINISH . REMARKS	NO.	MATERIAL	FINISH . REMARKS
4	POLYCARBONATE	YELLOW	3	STAINLESS STEEL	OVER:NICKEL PLATING 0.5μm MIN

UNITS	SCALE	COUNT	DESCRIPTION OF REVISIONS	DESIGNED	CHECKED	DATE
mm	2 : 1					
APPROVED : NM. NISHIMATSU			14.06.26	DRAWING NO. EDC3-126868-05		
CHECKED : NM. NISHIMATSU			14.06.26	PART NO. TM31P-TM-88P(61)		
DESIGNED : MT. ITANO			14.06.26	CODE NO. CL222-4626-7-61		
DRAWN : MT. ITANO			14.06.26	1/1		