



Chipsmall Limited consists of a professional team with an average of over 10 year of expertise in the distribution of electronic components. Based in Hongkong, we have already established firm and mutual-benefit business relationships with customers from,Europe,America and south Asia,supplying obsolete and hard-to-find components to meet their specific needs.

With the principle of “Quality Parts,Customers Priority,Honest Operation,and Considerate Service”,our business mainly focus on the distribution of electronic components. Line cards we deal with include Microchip,ALPS,ROHM,Xilinx,Pulse,ON,Everlight and Freescale. Main products comprise IC,Modules,Potentiometer,IC Socket,Relay,Connector.Our parts cover such applications as commercial,industrial, and automotives areas.

We are looking forward to setting up business relationship with you and hope to provide you with the best service and solution. Let us make a better world for our industry!



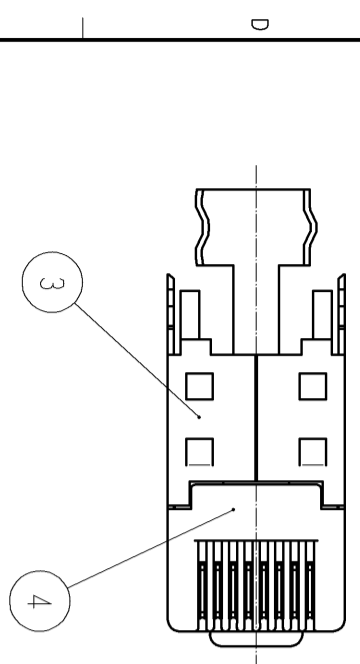
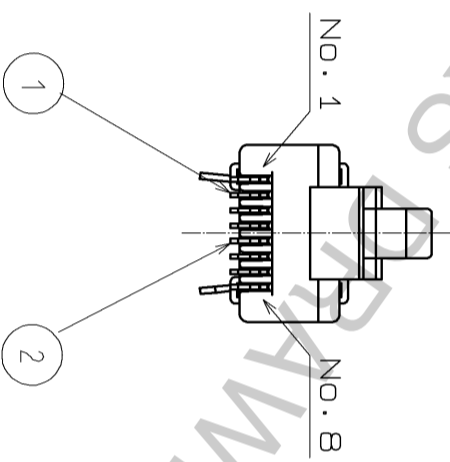
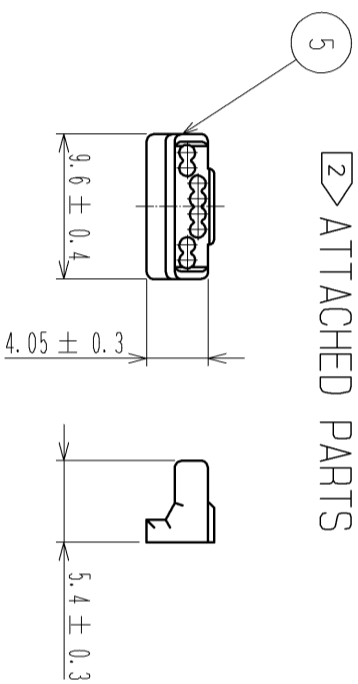
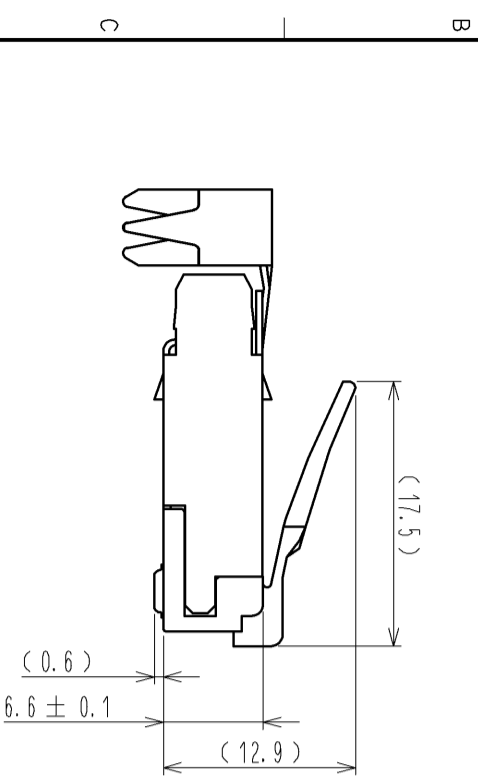
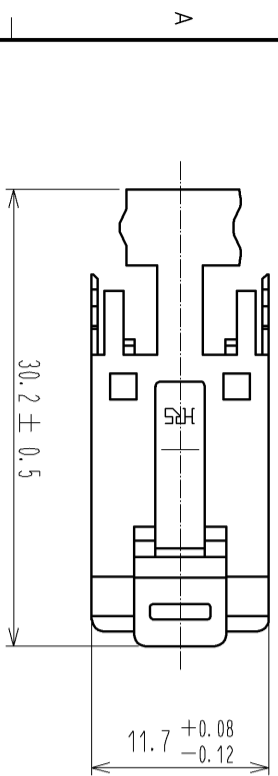
Contact us

Tel: +86-755-8981 8866 Fax: +86-755-8427 6832

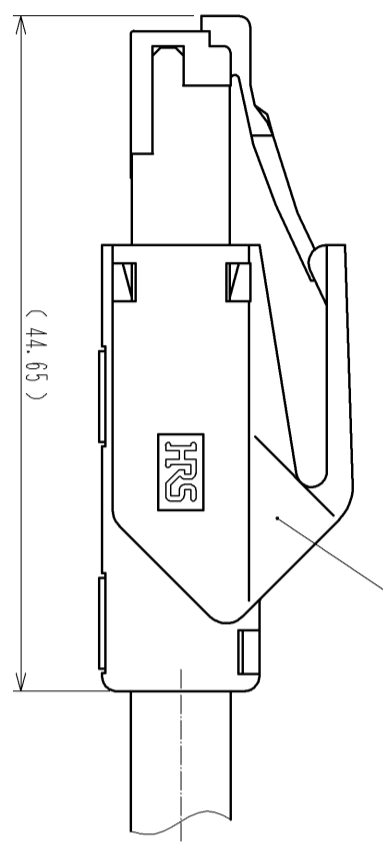
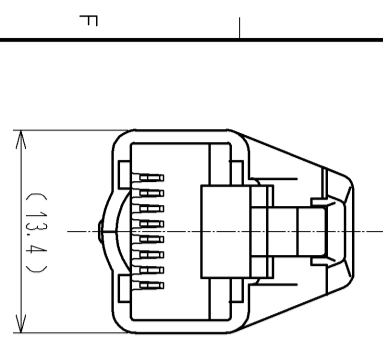
Email & Skype: info@chipsmall.com Web: www.chipsmall.com

Address: A1208, Overseas Decoration Building, #122 Zhenhua RD., Futian, Shenzhen, China





COVER(SOLD SEPARATELY)MATED



CL222-2862-9-**-
TM21P-88P (**)

TABLE-1

APPLICABLE CABLE WIRE			
	CONDUCTOR	AWG#24 STRANDED WIRE	~
	INSULATOR DIAMETER	(φ0.9~φ1.0)	
JACKET DIAMETER	(φ5.8~φ6.0)		

NOTES
 1. APPLICABLE CABLE IS SHOWN IN TABLE-1
 2. PLEASE USE ACCESSORY AS A GUIDE PLATE AND ASSEMBLE CONNECTOR WITH CABLE INSERTING ACCESSORY INTO CONNECTER.
 3. () INDICATES THE REFERENCE DIMENSIONS.
 4. TO SATISFY CAT6a PERFORMANCE, PLEASE ASSEMBLE ACCORDING TO HRS INSTRUCTION. (ETAD-E2847)
 5. COLORS ARE DIFFERENT DEPENDING ON THE SPECIFICATION NUMBER.

2	PHOSPHOR BRONZE	CONTACT: GOLD PLATING 1.27μm MIN LEAD: GOLD PLATING 0.03μm MIN UNDER: NICKEL PLATING 2μm MIN	5	POLYCARBONATE	(YELLOW)UL94V-2
1	PHOSPHOR BRONZE	CONTACT: GOLD PLATING 1.27μm MIN LEAD: GOLD PLATING 0.03μm MIN UNDER: NICKEL PLATING 2μm MIN	4	POLYCARBONATE	(YELLOW)UL94V-2
			3	STAINLESS STEEL	OVER-NICKEL PLATING 0.5μm MIN

NO.	MATERIAL	FINISH	REMARKS
1	PHOSPHOR BRONZE		
2	PHOSPHOR BRONZE		
3	STAINLESS STEEL		
4	POLYCARBONATE		
5	POLYCARBONATE		

UNITS	SCALE	COUNT	DESCRIPTION OF REVISIONS	DESIGNED	CHECKED	DATE
mm	2:1					

APPROVED	YH. ENAMI	09.01.26	DRAWING NO.	EDC3-126868-00
CHECKED	YH. ENAMI	09.01.26	PART NO.	TM31P-TM-88P
DESIGNED	MT. ITANO	09.01.26	CODE NO.	CL222-4626-7-00
DRAWN	MT. ITANO	09.01.26		