



Chipsmall Limited consists of a professional team with an average of over 10 year of expertise in the distribution of electronic components. Based in Hongkong, we have already established firm and mutual-benefit business relationships with customers from,Europe,America and south Asia,supplying obsolete and hard-to-find components to meet their specific needs.

With the principle of “Quality Parts,Customers Priority,Honest Operation,and Considerate Service”,our business mainly focus on the distribution of electronic components. Line cards we deal with include Microchip,ALPS,ROHM,Xilinx,Pulse,ON,Everlight and Freescale. Main products comprise IC,Modules,Potentiometer,IC Socket,Relay,Connector.Our parts cover such applications as commercial,industrial, and automotives areas.

We are looking forward to setting up business relationship with you and hope to provide you with the best service and solution. Let us make a better world for our industry!



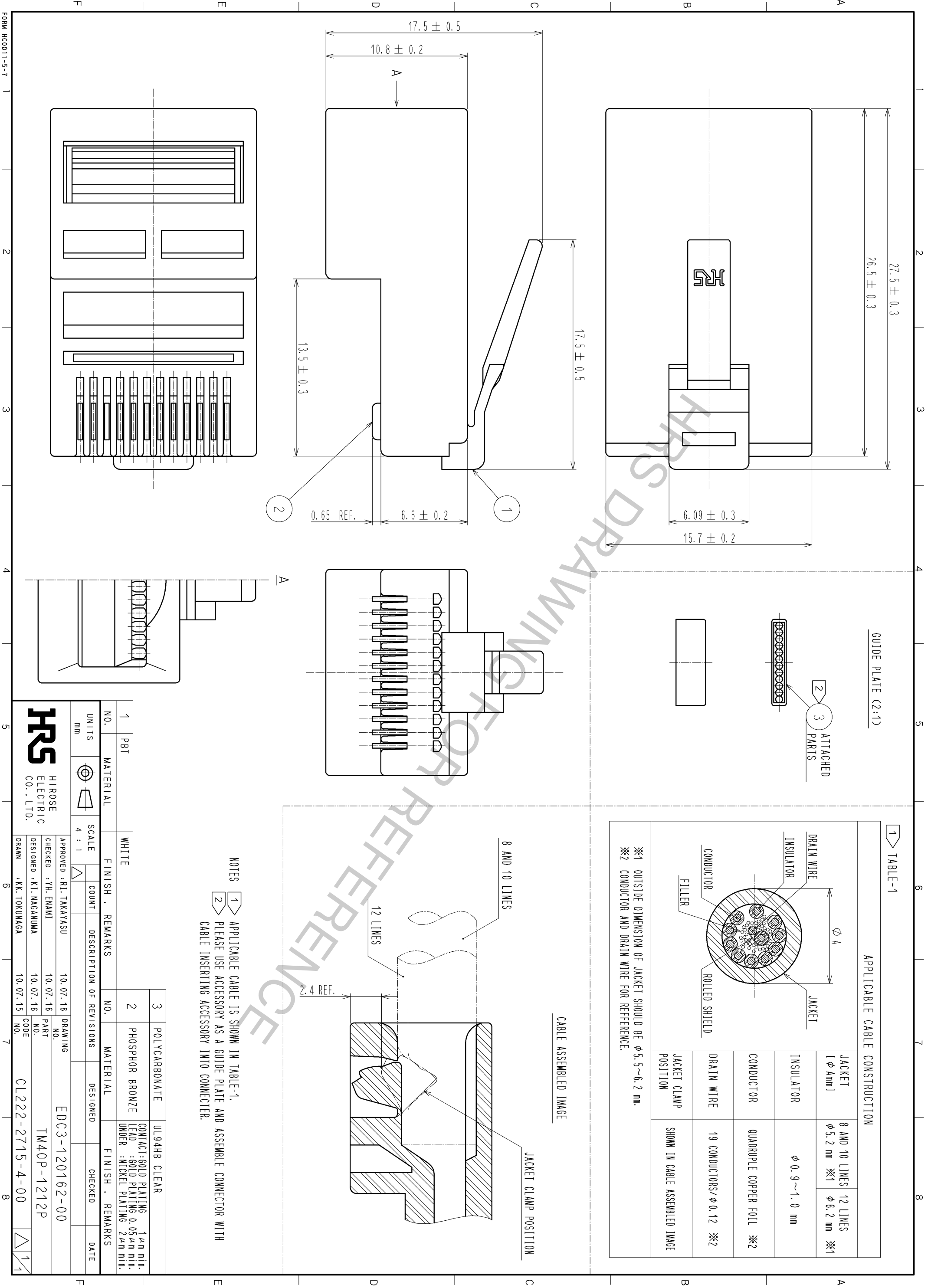
Contact us

Tel: +86-755-8981 8866 Fax: +86-755-8427 6832

Email & Skype: info@chipsmall.com Web: www.chipsmall.com

Address: A1208, Overseas Decoration Building, #122 Zhenhua RD., Futian, Shenzhen, China





GUIDE PLATE (2:1)

2 ATTACHED
3 PARTS

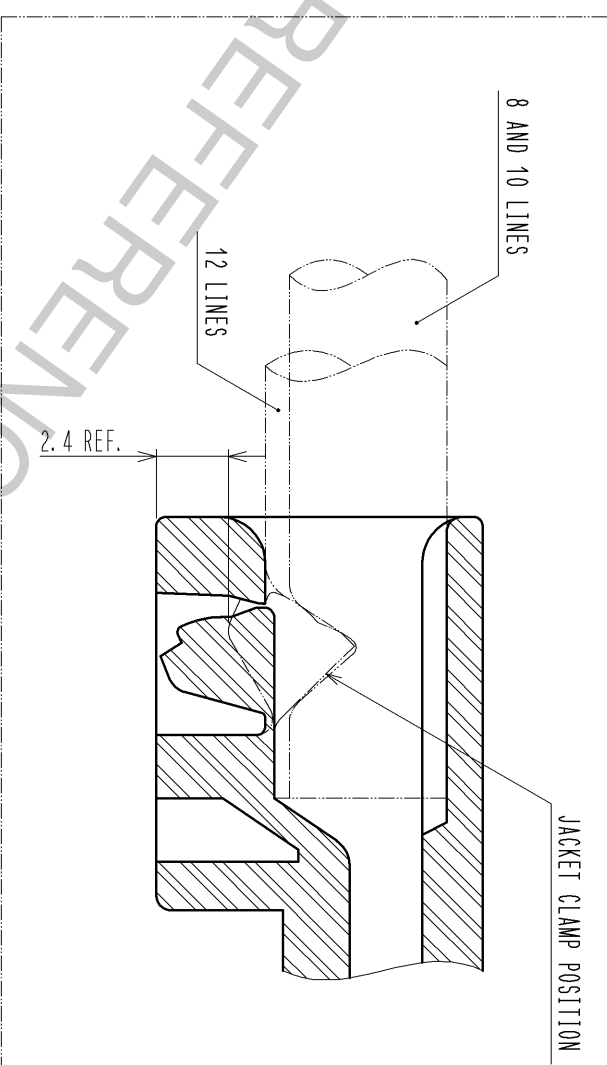
TABLE-1

APPLICABLE CABLE CONSTRUCTION

	JACKET [φ Amm]	8 AND 10 LINES φ 5.2 mm ※1	12 LINES φ 6.2 mm ※1
INSULATOR		φ 0.9~1.0 mm	
CONDUCTOR		QUADRUPLE COPPER FOIL ※2	
DRAIN WIRE		19 CONDUCTORS/φ 0.12 ※2	
JACKET CLAMP POSITION		SHOWN IN CABLE ASSEMBLED IMAGE	

※1 OUTSIDE DIMENSION OF JACKET SHOULD BE φ 5.5~6.2 mm.
※2 CONDUCTOR AND DRAIN WIRE FOR REFERENCE.

CABLE ASSEMBLED IMAGE



NOTES
1 APPLICABLE CABLE IS SHOWN IN TABLE-1.
2 PLEASE USE ACCESSORY AS A GUIDE PLATE AND ASSEMBLE CONNECTOR WITH CABLE INSERTING ACCESSORY INTO CONNECTER.

NO.	UNITS	MATERIAL	FINISH	REMARKS	NO.	MATERIAL	FINISH	REMARKS
1	PBT	WHITE			3	POLYCARBONATE	UL94HB CLEAR	
2					2	PHOSPHOR BRONZE	CONTACT: GOLD PLATING LEAD : GOLD PLATING 0.05μm min. UNDER : NICKEL PLATING 2μm min.	

SCALE	COUNT	DESCRIPTION OF REVISIONS	DESIGNED	CHECKED	DATE
4 : 1					

APPROVED	DESIGNED	CHECKED	DRAWING NO.	PART NO.	CODE
RI. TAKAYASU	KI. NAGANUMA	YH. ENAMI	EDC3-120162-00	TM40P-1212P	CL222-2715-4-00