



Chipsmall Limited consists of a professional team with an average of over 10 year of expertise in the distribution of electronic components. Based in Hongkong, we have already established firm and mutual-benefit business relationships with customers from,Europe,America and south Asia,supplying obsolete and hard-to-find components to meet their specific needs.

With the principle of “Quality Parts,Customers Priority,Honest Operation,and Considerate Service”,our business mainly focus on the distribution of electronic components. Line cards we deal with include Microchip,ALPS,ROHM,Xilinx,Pulse,ON,Everlight and Freescale. Main products comprise IC,Modules,Potentiometer,IC Socket,Relay,Connector.Our parts cover such applications as commercial,industrial, and automotives areas.

We are looking forward to setting up business relationship with you and hope to provide you with the best service and solution. Let us make a better world for our industry!



Contact us

Tel: +86-755-8981 8866 Fax: +86-755-8427 6832

Email & Skype: info@chipsmall.com Web: www.chipsmall.com

Address: A1208, Overseas Decoration Building, #122 Zhenhua RD., Futian, Shenzhen, China



COUNT	DESCRIPTION OF REVISIONS	BY	CHKD	DATE	COUNT	DESCRIPTION OF REVISIONS	BY	CHKD	DATE
△					△				
△					△				

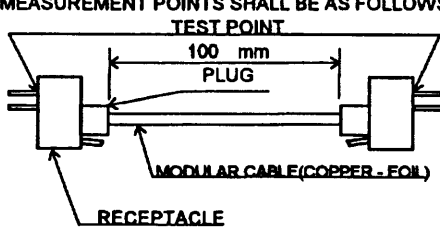
APPLICABLE STANDARD				
RATING	OPERATING TEMPERATURE RANGE	-25 °C TO 60 °C	STORAGE TEMPERATURE RANGE	— °C TO — °C
	VOLTAGE	125 V AC	CURRENT	500 mA

SPECIFICATIONS

ITEM	TEST METHOD	REQUIREMENTS	QT	AT
------	-------------	--------------	----	----

CONSTRUCTION				
GENERAL EXAMINATION	VISUALLY AND BY MEASURING INSTRUMENT.	ACCORDING TO DRAWING.	○	○
MARKING	CONFIRMED VISUALLY.		○	○

ELECTRIC CHARACTERISTICS

CONTACT RESISTANCE	100 mA DC (OR 1000 Hz AC). MEASUREMENT POINTS SHALL BE AS FOLLOWS.  RECEPTACLE (ONE EXAMPLE OF CONNECTOR CONFIGURATION IS SHOWN.)	200 mΩ MAX.	○	○
INSULATION RESISTANCE	100 V DC.	100 MΩ MIN.	○	○
VOLTAGE PROOF	500 V AC FOR 1 min.	NO FLASHOVER OR BREAKDOWN.	○	○

FOR REFERENCE ONLY
Subject to change without notice

MECHANICAL CHARACTERISTICS

MECHANICAL OPERATION	200 TIMES INSERTIONS AND EXTRACTIONS.	① CONTACT RESISTANCE: 220 mΩ MAX. ② NO DAMAGE, CRACK AND LOOSENESS OF PARTS.	○	—
VIBRATION	FREQUENCY 10 TO 55 Hz, SINGLE AMPLITUDE 0.75 mm, — m/s ² AT 2 h, FOR 3 DIRECTIONS.	① NO ELECTRICAL DISCONTINUITY OF 5 μs. ② CONTACT RESISTANCE: 220 mΩ MAX.	○	—
SHOCK	490 m/s ² DIRECTIONS OF PULSE 11 ms AT 3 TIME FOR 3 DIRECTION.	③ NO DAMAGE, CRACK AND LOOSENESS OF PARTS.	○	—

ENVIRONMENTAL CHARACTERISTICS

DAMP HEAT (STEADY STATE)	EXPOSED AT 60 °C, 90 TO 95 %, 500 h.	① CONTACT RESISTANCE: 220 mΩ MAX. ② INSULATION RESISTANCE: 1 MΩ MIN. (AT HIGH HUMIDITY) ③ INSULATION RESISTANCE: 10 MΩ MIN. (AT DRY) ④ NO DAMAGE, CRACK AND LOOSENESS OF PARTS.	○	—
RAPID CHANGE OF TEMPERATURE	TEMPERATURE: -55±3 → 5 TO 35 → 85±2 → 5 TO 35 °C TIME: 30 TO 35 → 5 MAX → 30 TO 35 → 5 MAX min UNDER 5 CYCLES.	① CONTACT RESISTANCE: 220 mΩ MAX. ② INSULATION RESISTANCE: 100 MΩ MIN. ③ NO DAMAGE, CRACK AND LOOSENESS OF PARTS.	○	—
CORROSION SALT MIST	EXPOSED IN 5 % SALT WATER SPRAY FOR 48 h.	① CONTACT RESISTANCE: 220 mΩ MAX. ② NO DAMAGE, CRACK AND LOOSENESS.	○	—
DIP SOLDEING CONDITION	NO FLUX MIGRATION OR DEGRADE SOLDERING UNDER THE FOLLOWING CONDITIONS. PRE-HEATING :90 TO 130 °C TEMPERATURE OF MOLTEN SOLDER :250±10°C		○	—

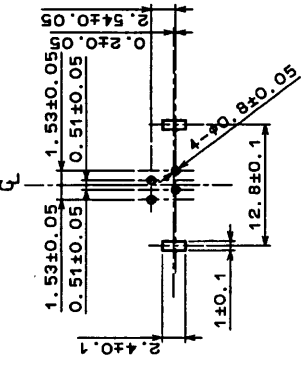
REMARKS	DRAWN	DESIGNED	CHECKED	APPROVED	RELEASED
		<i>J. Asu</i>	<i>J. Asu</i>	<i>H. Tanaka</i>	<i>H. Tanaka</i>
Unless otherwise specified, refer to JIS C 5402.					
Note QT:Qualification Test AT:Assurance Test O:Applicable Test					

HRS HIROSE ELECTRIC CO., LTD.	SPECIFICATION SHEET	PART NO.	TM5RJ±64
CODE NO.(OLD)	DRAWING NO.	CODE NO.	1/1
CL	ELC4-23897	CL222-1244-4	

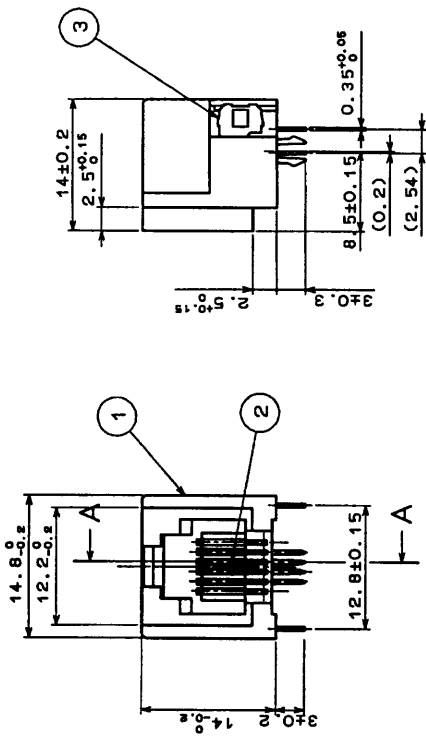
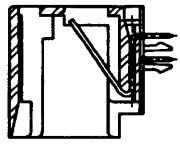
TO
Q2
USA

5	6	7	8
REVISIONS	DATE	DESCRIPTION	BY

RECOMMENDED PC BOARD HOLE PATTERN
MOUNTED CONNECTOR SIDE



A-A



FOR REFERENCE ONLY
Subject to change without notice

2	PHOSPHOR BRONZE PBT	SELECTIVE GOLD PLATED COLOR: GRAY	4	COPPER ALLOY	TIN-LEAD PLATED
1	MATERIAL	FINISH . REMARKS	3	MATERIAL	FINISH . REMARKS
DRAWING NO. EDC3-23897		DRAWN J. ASU		CHECKED H. J. JONES	APPROVED J. ASU
SCALE 2:1		DESIGNED J. ASU		RELEASED 8.30.71	
UNITS m.m		PART NO. TM5RJ1-64		USA	
HIRSE ELECTRIC CO., LTD.		CODE NO. CL222-1244-4		FORM NO. 223	

TO 02 USA