



Chipsmall Limited consists of a professional team with an average of over 10 year of expertise in the distribution of electronic components. Based in Hongkong, we have already established firm and mutual-benefit business relationships with customers from,Europe,America and south Asia,supplying obsolete and hard-to-find components to meet their specific needs.

With the principle of “Quality Parts,Customers Priority,Honest Operation,and Considerate Service”,our business mainly focus on the distribution of electronic components. Line cards we deal with include Microchip,ALPS,ROHM,Xilinx,Pulse,ON,Everlight and Freescale. Main products comprise IC,Modules,Potentiometer,IC Socket,Relay,Connector.Our parts cover such applications as commercial,industrial, and automotives areas.

We are looking forward to setting up business relationship with you and hope to provide you with the best service and solution. Let us make a better world for our industry!



Contact us

Tel: +86-755-8981 8866 Fax: +86-755-8427 6832

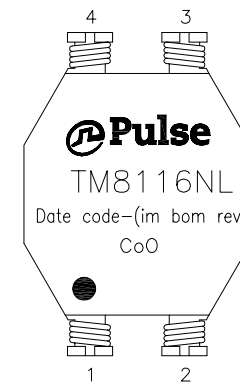
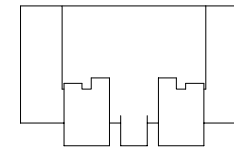
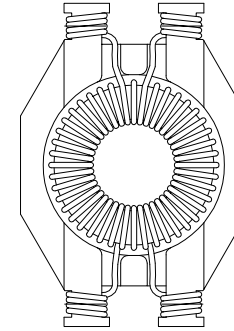
Email & Skype: info@chipsmall.com Web: www.chipsmall.com

Address: A1208, Overseas Decoration Building, #122 Zhenhua RD., Futian, Shenzhen, China



NOTES:

1. ROHS COMPLIANT
2. HEADER: LCP E5008L WITH FLAMMABILITY RATING UL 94V-0 OR BETTER.
3. STORAGE TEMPERATURE: -50°C TO +125°C
4. COMPLIANCE TO J-STD:
 - A. J-STD-002: SOLDERABILITY AT 245°C REFLOW PROFILE
 - B. J-STD-020: LEVEL 1, NO MOISTURE SENSITIVE
 - C. J-STD-075: R7, 245°C MAXIMUM THROUGH REFLOW SOLDER
5. TO ORDER TAPE & REEL PACKAGING ADD A "T" SUFFIX TO THE PART NUMBER(i.e TM8116NL BECOMES TM8116NLT).

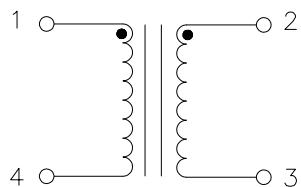


FINAL OUTLINE

© Copyright, 2016. Pulse Electronics Corp. All rights reserved. Pulse confidential & proprietary. (02/19/16)

PRODUCT DESCRIPTION	TLA DRAWING	PS DRAWING	SHEET	PART NO.	DATASHEET REV.
CMI 2 x 0.470 mH – SHASTA	TM8116NL-10	–	1 OF 3	TM8116NL	A

ELECTRICAL CHARACTERISTICS AT +25°C UNLESS OTHER SPECIFIED

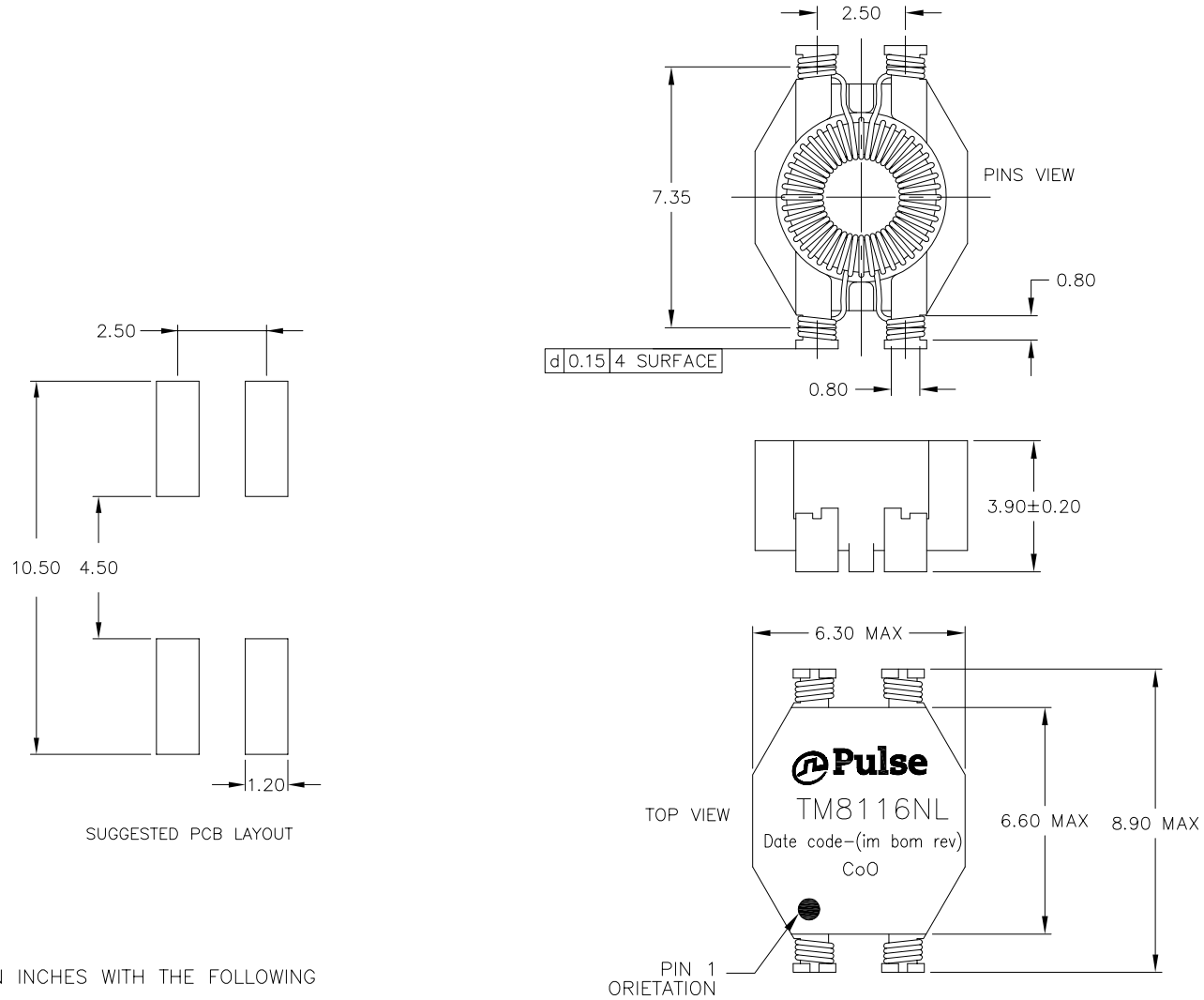


SCHEMATIC

PARAMETER	SPECIFICATIONS				
OPERATING TEMPERATURE	-40°C TO +125°C				
POLARITY	PER SCHEMATIC				
URNS RATIO @ 10 KHZ, 0.1 VRMS	$\frac{(1^*-4)}{(2^*-3)} = 1.0 \pm 2\%$				
INDUCTANCE (OCL) @ 100 KHZ, 0.1 VRMS	$(1^*-4) = 0.47 \text{ mH } \begin{matrix} +50\% \\ -30\% \end{matrix}$				
LEAKAGE INDUCTANCE @ 100 KHZ, 0.1 VRMS	(1^*-4) WITH (2^*-3) SHORTED = 0.20 μH NOMINAL = 0.40 μH MAXIMUM				
DC RESISTANCE	$(1^*-4) = (2^*-3) = 0.3 \text{ OHMS MAXIMUM.}$				
COMMON MODE IMPEDANCE	0.1 MHz	1 MHz	6 MHz	10 MHz	100 MHz
	450 OHMS	2900 OHMS	6100 OHMS	5400 OHMS	800 OHMS
HIPOT	500 VAC FOR 1 MINUTE				

© Copyright, 2016. Pulse Electronics Corp. All rights reserved. Pulse confidential & proprietary. (02/19/16)

PRODUCT DESCRIPTION	TLA DRAWING	PS DRAWING	SHEET	PART NO.	DATASHEET REV.
CMI 2 x 0.470 mH - SHASTA	TM8116NL-10	-	2 OF 3	TM8116NL	A



DIMENSIONS ARE IN INCHES WITH THE FOLLOWING TOLERANCES:
 .XX= ±.01
 .XXX= ±.005

© Copyright, 2016. Pulse Electronics Corp. All rights reserved. Pulse confidential & proprietary. (02/19/16)

PRODUCT DESCRIPTION	TLA DRAWING	PS DRAWING	SHEET	PART NO.	DATASHEET REV.
CMI 2 x 0.470 mH – SHASTA	TM8116NL-10	–	3 OF 3	TM8116NL	A