



Chipsmall Limited consists of a professional team with an average of over 10 year of expertise in the distribution of electronic components. Based in Hongkong, we have already established firm and mutual-benefit business relationships with customers from,Europe,America and south Asia,supplying obsolete and hard-to-find components to meet their specific needs.

With the principle of "Quality Parts,Customers Priority,Honest Operation,and Considerate Service",our business mainly focus on the distribution of electronic components. Line cards we deal with include Microchip,ALPS,ROHM,Xilinx,Pulse,ON,Everlight and Freescale. Main products comprise IC,Modules,Potentiometer,IC Socket,Relay,Connector.Our parts cover such applications as commercial,industrial, and automotives areas.

We are looking forward to setting up business relationship with you and hope to provide you with the best service and solution. Let us make a better world for our industry!



## Contact us

Tel: +86-755-8981 8866 Fax: +86-755-8427 6832

Email & Skype: info@chipsmall.com Web: www.chipsmall.com

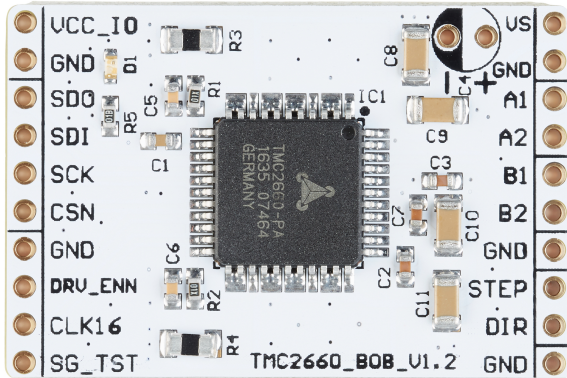
Address: A1208, Overseas Decoration Building, #122 Zhenhua RD., Futian, Shenzhen, China



# TMC2660-PA BOB Description

Document Revision V1.00 • 2017-Oct-19

## Module Top View



## Features and additional Resources

- TMC2660-PA stepper power driver
- Supply voltage 9-28V,  $I_{phase,RMS}$  up to 2.0A
- Config via SPI, control via step/direction
- Optional electrolyte cap at supply rail
- Optional cooling from bottom side
- Board width 1.5", board height 1.0"
- 2x10 pin 0.1" header rows for pins/connectors
- Link to [additional information and IC data sheet](#)
- Link to [evaluation kit](#)

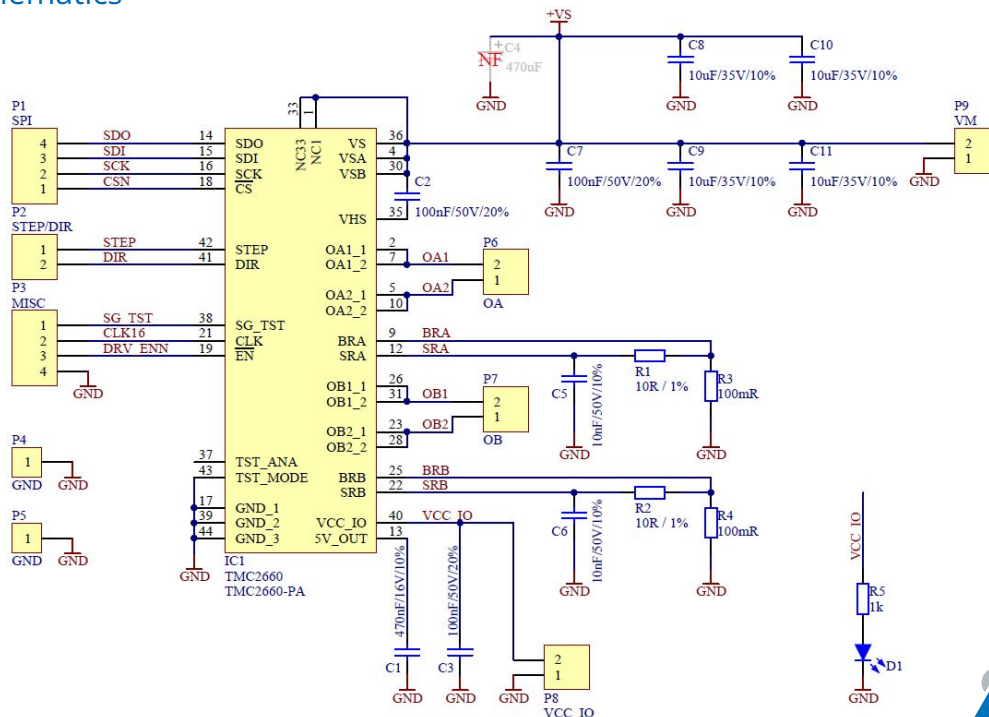
## Pin List

Left	Signal	Right	Signal
1	VCC_IO (3.3V or 5V)	11	VS
2	GND	12	GND
3	SDO (data out)	13	OA1
4	SDI (data in)	14	OA2
5	SCK (up to 6MHz with external CLK)	15	OB1
6	CSN (active low)	16	OB2
7	GND	17	GND
8	DRV_ENN (active low)	18	STEP
9	CLK16 (pull to GND for internal CLK)	19	DIR
10	SG_TST (see <a href="#">datasheet</a> )	20	GND

## Bill of Materials

Pcs.	MPN	Value	Footprint	Description
1	MC0603X474K160CT	470nF,16V,10%	0603	Cap, Multicomp
3	MC0603F104M500CT	100nF,50V,20%	0603	Cap, Multicomp
2	MC0603B103K500C	10nF,50V,10%	0603	Cap, Multicomp
4	GRM31CC8YA106KA12L	10uF,35V,10%	1206	Cap, Murata
1	LTST-C191TBKT-5A	20mA,2.8V,465nm	0603	LED, Lite-On
1	TMC2660-PA	TMC2660-PA	PQFP44,10x10,0.8	Driver, <a href="#">TRINAMIC</a>
2	MCWR06X10R0FTL	10R,1%	0603	Res, Multicomp
2	RCWE1210R100FKEA	0.10R,1W,1%	1210	SenseR
1	MC0603W060311K	1k	0603	Res, Multicomp

## BOB Schematics



©2017 TRINAMIC Motion Control GmbH & Co. KG, Hamburg, Germany  
 Download newest version at: [www.trinamic.com](http://www.trinamic.com)

