



Chipsmall Limited consists of a professional team with an average of over 10 year of expertise in the distribution of electronic components. Based in Hongkong, we have already established firm and mutual-benefit business relationships with customers from,Europe,America and south Asia,supplying obsolete and hard-to-find components to meet their specific needs.

With the principle of “Quality Parts,Customers Priority,Honest Operation,and Considerate Service”,our business mainly focus on the distribution of electronic components. Line cards we deal with include Microchip,ALPS,ROHM,Xilinx,Pulse,ON,Everlight and Freescale. Main products comprise IC,Modules,Potentiometer,IC Socket,Relay,Connector.Our parts cover such applications as commercial,industrial, and automotives areas.

We are looking forward to setting up business relationship with you and hope to provide you with the best service and solution. Let us make a better world for our industry!



Contact us

Tel: +86-755-8981 8866 Fax: +86-755-8427 6832

Email & Skype: info@chipsmall.com Web: www.chipsmall.com

Address: A1208, Overseas Decoration Building, #122 Zhenhua RD., Futian, Shenzhen, China



TMC4330A DATASHEET

TMC4330A Document Revision 1.00 • 2016-NOV-25

The S-ramp and sixPoint™ ramp motion controller for stepper motors is optimized for high velocities, allowing on-the-fly changes. TMC4330A offers Step/Dir interfaces, as well as an encoder interface for closed-loop operation.

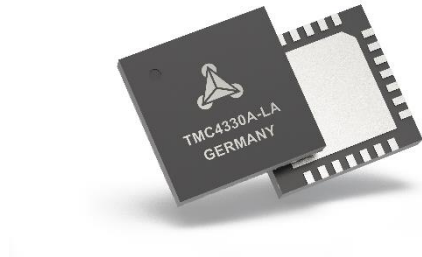


Figure 1: Sample Image
TMC4330A Closed-Loop Drive

*Marking details are explained on page 159.

Features

- SPI Interfaces for μ C with easy-to-use protocol.
- Encoder interface for incremental or serial encoders.
- Closed-loop operation for Step drivers.
- Internal ramp generator generating S-shaped ramps or sixPoint™ ramps supporting on-the-fly changes.
- Controlled PWM output.
- Reference switch handling.
- Hardware and virtual stop switches.

Applications

- Textile, sewing machines
- Office automation
- Pumps and valves
- CCTV, security
- POS
- HelioStat controllers
- Printers, scanners
- Factory automation
- CNC machines
- ATM, cash recycler
- Lab automation
- Robotics

Block Diagram: TMC4330A Interfaces & Features

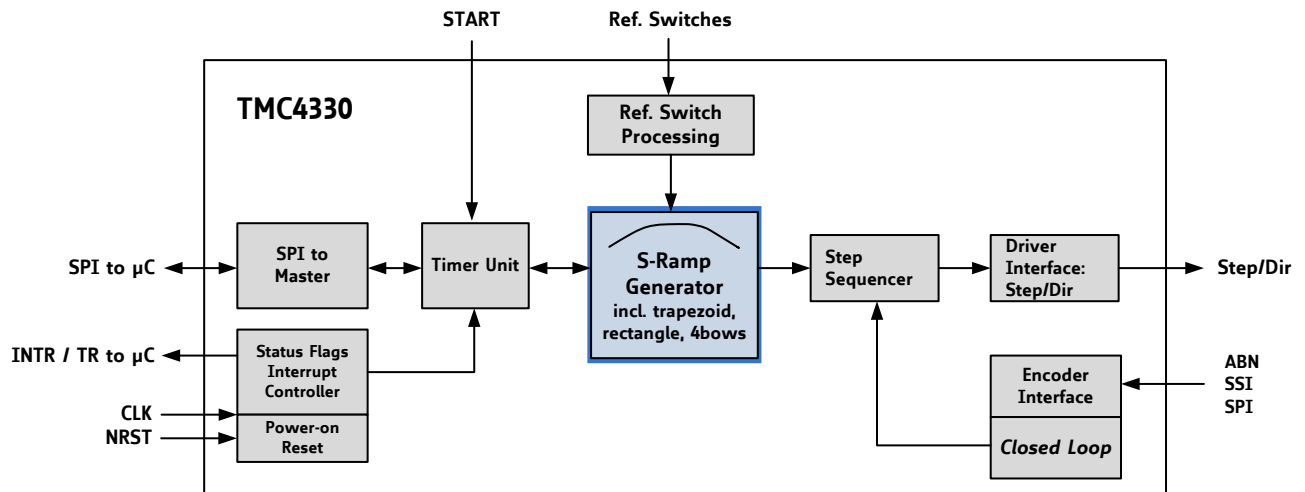


Figure 2: Block Diagram

© 2015 TRINAMIC Motion Control GmbH & Co. KG, Hamburg, Germany — Terms of delivery and rights to technical change reserved. Download newest version at: www.trinamic.com.



Read entire documentation; especially the Supplemental Directives in chapter 17 (page 160).



Functional Scope of TMC4330A

TMC4330A is a miniaturized high-performance motion controller for stepper motor drivers, particularly designed for fast and jerk-limited motion profile applications with a wide range of ramp profiles. The S-shaped or sixPoint™ velocity profile, closed-loop and open-loop features offer many configuration options to suit the user’s specifications, as presented below:

S-Shaped Velocity Profile

S-shaped ramp profiles are jerk-free. Seven ramp segments form the S-shaped ramp that can be optimally adapted to suit the user’s requirements. High torque with high velocities can be reached by calibrating the bows of the ramp, as explained in this user manual.

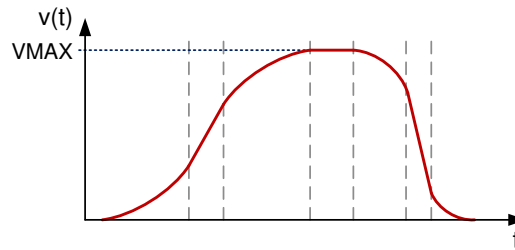


Figure 3: S-shaped Velocity Profile

- More information on ramp configurations and other velocity profiles, e.g. sixPoint™ ramps, are provided in chapter 6 (Page 24).

Closed-loop Operation Feature

A typical hardware setup for closed-loop operation with a TMC220x/222x stepper motor driver is shown in the figure below.

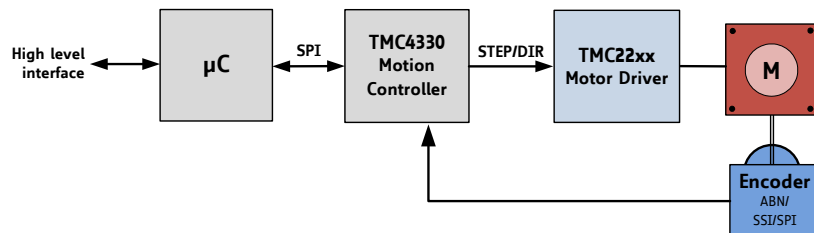


Figure 4: Hardware Set-up for Closed-loop Operation with TMC220x/222x

Reference Switch Support

A typical hardware setup for open-loop operation with enhanced modifications, by use of external stop switches with the TMC2100 motor stepper driver is shown below. Home switches with different configurations are also supported.

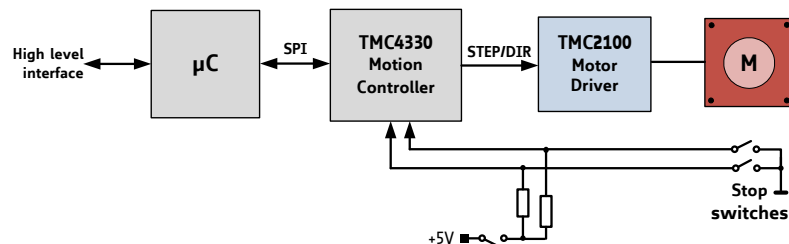


Figure 5: Hardware Set-up for Open-loop Operation with TMC2100 supporting External Stop Switches

Order Codes

Order code	Description	Size
TMC4330A-LA	Motion controller with closed-loop features, QFN32	4 x 4 mm ²

Table 1: TMC4330A Order Codes



TABLE OF CONTENTS

TMC4330A DATASHEET	1
SHORT SPEC	1
Features	1
Applications	1
Block Diagram: TMC4330A Interfaces & Features	1
Functional Scope of TMC4330A	2
Order Codes	2
TABLE OF CONTENTS	3
MAIN MANUAL	8
1. Pinning and Design-In Process Information	8
1.1. Pin Assignment: Top View	8
1.2. Pin Description	9
1.3. System Overview	11
2. Application Circuits	12
2.1. TMC4330A Standard Connection: VCC=3.3V	12
2.2. TMC4330A with TMC2100 Stepper Connection and Encoder feedback.....	12
2.3. TMC4330A with TMC22xx Stepper Connection	12
3. SPI Interfacing	13
3.1. SPI Datagram Structure	13
3.1.1. SPI Timing Description	16
4. Input Filtering	17
4.1. Input Filtering Examples.....	19
5. Status Flags and Events	20
5.1. Status Event Description	21
5.2. SPI Status Bit Transfer	22
5.3. Generation of Interrupts.....	22
5.4. Connection of Multiple INTR Pins	23
6. Ramp Configurations for different Motion Profiles	24
6.1. Step/Dir Output Configuration	25
6.1.1. Step/Dir Output Configuration Steps	25
6.1.2. STPOUT: Changing Polarity	25
6.2. Configuration Details for Operation Modes and Motion Profiles	26
6.2.1. Starting Point: Choose Operation Mode	27
6.2.2. Stop during Motion	27
6.2.3. Motion Profile Configuration	28
6.2.4. No Ramp Motion Profile.....	29
6.2.5. Trapezoidal 4-Point Ramp without Break Point.....	30
6.2.6. Trapezoidal Ramp with Break Point.....	30
6.2.7. Position Mode combined with Trapezoidal Ramps	31
6.2.8. Configuration of S-Shaped Ramps.....	32
6.2.9. Changing Ramp Parameters during S-shaped Motion or Switching to Positioning Mode.....	33



6.2.10.	Configuration of S-shaped Ramp with <i>ASTART</i> and <i>DFINAL</i>	33
6.2.11.	S-shaped Mode and Positioning: Fast Motion	34
6.3.	Start Velocity <i>VSTART</i> and Stop Velocity <i>VSTOP</i>	35
6.3.1.	S-shaped Ramps with Start and Stop Velocity	39
6.3.2.	Combined Use of <i>VSTART</i> and <i>ASTART</i> for <i>S-shaped Ramps</i>	40
6.4.	sixPoint Ramps	41
6.5.	U-Turn Behavior	42
6.5.1.	Continuous Velocity Motion Profile for S-shaped Ramps	43
6.6.	Internal Ramp Generator Units	44
6.6.1.	Clock Frequency	44
6.6.2.	Velocity Value Units	44
6.6.3.	Acceleration Value Units	44
6.6.4.	Bow Value Units	45
6.6.5.	Overview of Minimum and Maximum Values:	45
7.	External Step Control and Electronic Gearing	46
7.1.	Description of Electronic Gearing	47
7.2.	Indirect External Control	47
7.3.	Switching from External to Internal Control	48
8.	Reference Switches	49
8.1.	Hardware Switch Support	50
8.1.1.	Stop Slope Configuration for Hard or Linear Stop Slopes	50
8.1.2.	How Active Stops are indicated and reset to Free Motion	51
8.1.3.	How to latch Internal Position on Switch Events	51
8.2.	Virtual Stop Switches	52
8.2.1.	Enabling Virtual Stop Switches	52
8.2.2.	Virtual Stop Slope Configuration	52
8.2.3.	How Active Virtual Stops are indicated and reset to Free Motion	53
8.3.	Home Reference Configuration	54
8.3.1.	Home Event Selection	54
8.3.2.	HOME_REF Monitoring	55
8.3.3.	Homing with STOPL or STOPR	56
8.4.	Target Reached / Position Comparison	57
8.4.1.	Connecting several Target-reached Pins	57
8.4.2.	Use of TARGET_REACHED Output	58
8.4.3.	Position Comparison of Internal Values	59
8.5.	Repetitive and Circular Motion	60
8.5.1.	Repetitive Motion to XTARGET	60
8.5.2.	Activating Circular Motion	60
8.5.3.	Uneven or Noninteger Microsteps per Revolution	61
8.5.4.	Release of the Revolution Counter	62
8.6.	Blocking Zones	62
8.6.1.	Activating Blocking Zones during Circular Motion	62
8.6.2.	Circular Motion with and without Blocking Zone	63
9.	Ramp Timing and Synchronization	64
9.1.	Basic Synchronization Settings	65
9.1.1.	Start Signal Trigger Selection	65
9.1.2.	User-specified Impact Configuration of Timing Procedure	65
9.1.3.	Delay Definition between Trigger and internally generated Start Signal	66



9.1.4.	Active START Pin Output Configuration	66
9.1.5.	Ramp Timing Examples	67
9.2.	Shadow Register Settings	70
9.2.1.	Shadow Register Configuration Options	71
9.2.2.	Delayed Shadow Transfer	75
9.3.	Pipelining Internal Parameters	76
9.3.1.	Configuration and Activation of Target Pipeline	76
9.3.2.	Using the Pipeline for different internal Registers	77
9.3.3.	Pipeline Mapping Overview	78
9.3.4.	Cyclic Pipelining	79
9.3.5.	Pipeline Examples	79
9.4.	Masterless Synchronization of Several Motion Controllers via START Pin	81
10.	Controlled PWM Output	82
10.1.1.	How to change Motion Direction	82
10.1.2.	Change of Microstep Resolution	82
10.2.	PWM Output Generation and Scaling Possibilities	83
10.2.1.	PWM Scale Example	84
10.3.	Microstep Lookup Tables	85
10.3.1.	Actual Microstep Values Output	86
10.3.2.	How to Program the Internal MSLUT	86
10.3.3.	Setup of MSLUT Segments	87
10.3.4.	Microstep Waves Start Values	88
10.3.5.	Default MSLUT	88
10.3.6.	Explanatory Notes for Base Wave Inclinations	89
11.	Decoder Unit: Connecting ABN, SSI, or SPI Encoders correctly	91
11.1.1.	Selecting the correct Encoder	92
11.1.2.	Disabling digital differential Encoder Signals	93
11.1.3.	Inverting of Encoder Direction	93
11.1.4.	Encoder Misalignment Compensation	94
11.2.	Incremental ABN Encoder Settings	95
11.2.1.	Automatic Constant Configuration of Incremental ABN Encoder	95
11.2.2.	Manual Constant Configuration of Incremental ABN Encoder	95
11.3.	Incremental Encoders: Index Signal: N resp. Z	96
11.3.1.	Setup of Active Polarity for Index Channel	96
11.3.2.	Configuration of N Event	96
11.3.3.	External Position Counter <i>ENC_POS</i> Clearing	97
11.3.4.	Latching External Position	98
11.3.5.	Latching Internal Position	98
11.4.	Absolute Encoder Settings	99
11.4.1.	Singleturn or Multiturn Data	99
11.4.2.	Automatic Constant Configuration of Absolute Encoder	100
11.4.3.	Manual Constant Configuration of incremental ABN Encoder	100
11.4.4.	Absolute Encoder Data Setup	101
11.4.5.	Emitting Encoder Data Variation	102
11.4.6.	SSI Clock Generation	103
11.4.7.	Enabling Multicycle SSI request	104
11.4.8.	Gray-encoded SSI Data Streams	104
11.4.9.	SPI Encoder Data Evaluation	105



11.4.10.	SPI Encoder Mode Selection	106
11.4.11.	SPI Encoder Configuration via TMC4330A.....	107
12.	Possible Regulation Options with Encoder Feedback	108
12.1.	Feedback Monitoring	108
12.1.1.	Target-Reached during Regulation	108
12.2.	PID-based Control of <i>XACTUAL</i>	109
12.2.1.	PID Readout Parameters	109
12.2.2.	PID Control Parameters and Clipping Values.....	110
12.2.3.	Enabling PID Regulation.....	110
12.3.	Closed-Loop Operation.....	111
12.3.1.	Basic Closed-Loop Parameters	111
12.3.2.	Enabling and calibrating Closed-Loop Operation	112
12.3.3.	Limiting Closed-Loop Catch-Up Velocity.....	113
12.3.4.	Enabling the Limitation of the Catch-Up Velocity.....	113
12.3.5.	Enabling Closed-Loop Velocity Mode	114
12.3.6.	Back-EMF Compensation during Closed-loop Operation	115
12.3.7.	Encoder Velocity Readout Parameters	116
12.3.8.	Encoder Velocity Filter Configuration	116
12.3.9.	Encoder Velocity equals 0 Event	116
13.	Reset and Clock Gating	117
13.1.	Manual Hardware Reset	117
13.2.	Manual Software Reset	117
13.3.	Reset Indication	117
13.4.	Activating Clock Gating manually	118
13.5.	Clock Gating Wake-up.....	118
13.6.	Automatic Clock Gating Procedure	119
TECHNICAL SPECIFICATIONS.....		120
14.	Complete Register and Switches List.....	120
14.1.	General Configuration Register GENERAL_CONF 0x00	120
14.2.	Reference Switch Configuration Register REFERENCE_CONF 0x01	123
14.3.	Start Switch Configuration Register START_CONF 0x02.....	126
14.4.	Input Filter Configuration Register INPUT_FILT_CONF 0x03	128
14.5.	Scaling Configuration Register SCALE_CONF 0x05	129
14.6.	Encoder Signal Configuration (0x07)	130
14.7.	Serial Encoder Data Input Configuration (0x08)	133
14.8.	Microstep Settings Register STEP_CONF 0x0A	134
14.9.	Event Selection Registers 0x0B..0x0D	135
14.10.	Status Event Register (0x0E)	136
14.11.	Status Flag Register (0x0F)	137
14.12.	Various Configuration Registers: Synchronization, PWM, etc.	138
14.13.	Ramp Generator Registers.....	139
14.14.	External Clock Frequency Register	143
14.15.	Target and Compare Registers	143
14.16.	Pipeline Registers	144
14.17.	Shadow Register.....	144
14.18.	Reset and Clock Gating Register	145
14.19.	Encoder Registers.....	146



14.20.	PID & Closed-Loop Registers	148
14.21.	Transfer Registers	150
14.22.	MSLUT Registers.....	151
14.23.	TMC Version Register	151
15.	Absolute Maximum Ratings	152
16.	Electrical Characteristics.....	153
16.1.	Power Dissipation	153
16.2.	General IO Timing Parameters.....	154
16.3.	Layout Examples	155
16.3.1.	Internal Circuit Diagram for Layout Example.....	155
16.3.2.	Components Assembly for Application with Encoder	156
16.3.3.	Top Layer: Assembly Side	156
16.3.4.	Inner Layer (GND)	157
16.3.5.	Inner Layer (Supply VS)	157
16.4.	Package Dimensions	158
16.5.	Package Material Information	159
16.6.	Marking Details provided on Single Chip	159
APPENDICES	160
17.	Supplemental Directives	160
	ESD-DEVICE INSTRUCTIONS.....	160
18.	Tables Index	162
19.	Figures Index.....	164
20.	Revision History.....	166



MAIN MANUAL

1. Pinning and Design-In Process Information

In this chapter you are provided with a list of all pin names and a functional description of each.

1.1. Pin Assignment: Top View

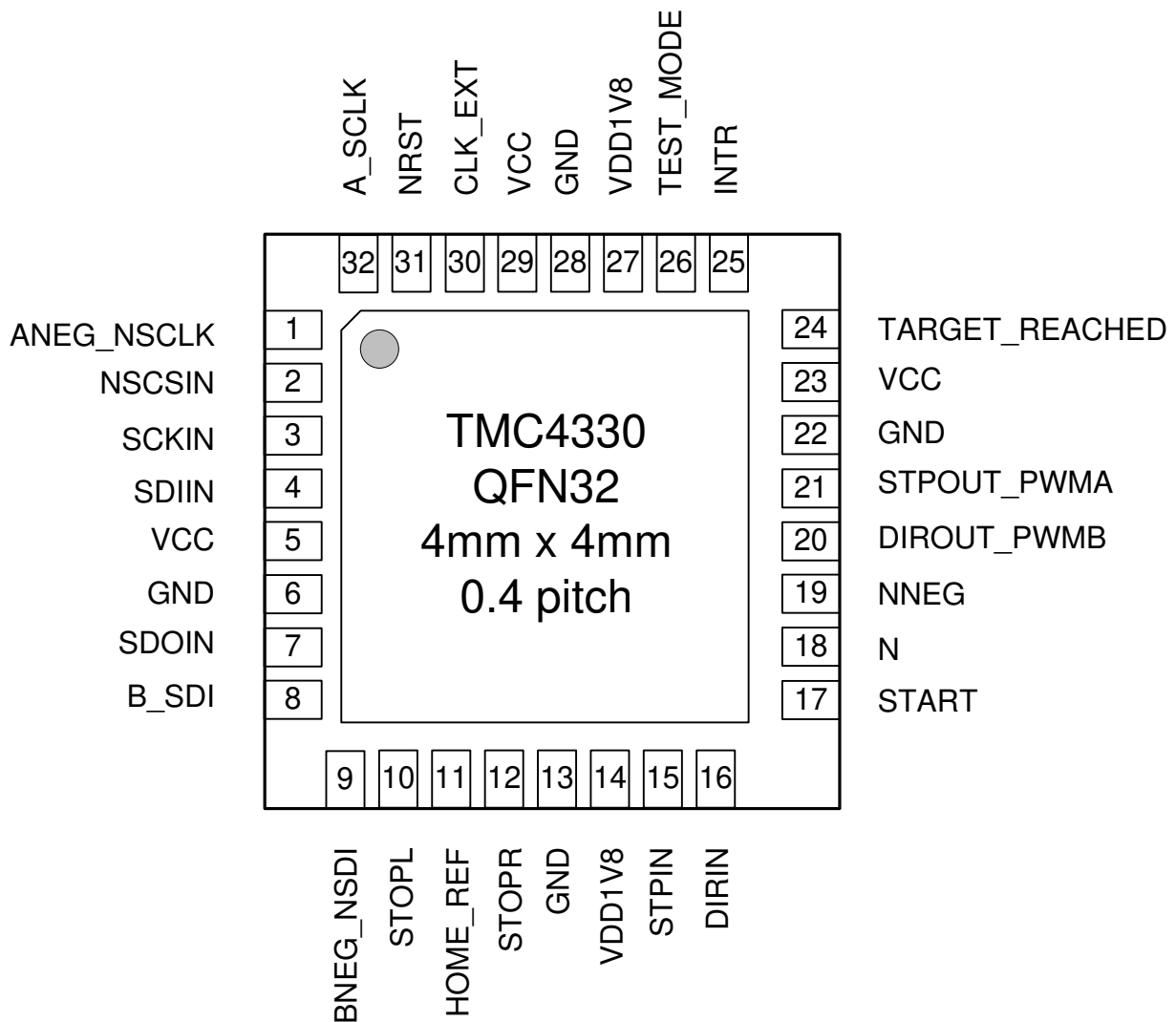


Figure 6: Package Outline: Pin Assignments Top View



1.2. Pin Description

Pin Names and Descriptions			
Pin	Number	Type	Function
<i>Supply Pins</i>			
GND	6, 13, 22, 28	GND	Digital ground pin for IOs and digital circuitry.
VCC	5, 23, 29	VCC	Digital power supply for IOs and digital circuitry (3.3V... 5V).
VDD1V8	14, 27	VDD	Connection of internal generated core voltage of 1.8V.
CLK_EXT	30	I	Clock input to provide a clock with the frequency fCLK for all internal operations.
NRST	31	I (PU)	Low active reset. If not connected, Power-on-Reset and internal pull-up resistor is active.
TEST_MODE	26	I	Test mode input. Tie to low for normal operation.
<i>Interface Pins for μC</i>			
NSCSIN	2	I	Low active chip selects input of SPI interface to μ C.
SCKIN	3	I	Serial clock for SPI interface to μ C.
SDIIN	4	I	Serial data input of SPI interface to μ C.
SDOIN	7	O	Serial data output of SPI interface to μ C (Z if NSCSIN=1).
INTR	25	O	Interrupt output, programmable PD/PU for wired-and/or.
TARGET_REACHED	24	O	Target reached output, programmable PD/PU for wired-and/or.
<i>Reference Pins</i>			
STOPL	10	I (PD)	Left stop switch. External signal to stop a ramp. If not connected, internal pull-down resistor is active.
HOME_REF	11	I (PD)	Home reference signal input. External signal for reference search. If not connected, internal pull-down resistor is active.
STOPR	12	I (PD)	Right stop switch. External signal to stop a ramp. If not connected, internal pull-down resistor is active.
STPIN	15	I (PD)	Step input for external step control. If not connected, internal pull-down resistor is active.
DIRIN	16	I (PD)	Direction input for external step control. If not connected, internal pull-down resistor is active.
START	17	IO	Start signal input/output.
<i>S/D Output Pins</i>			
STPOUT PWMA	21	O	Step output. First PWM signal (Sine).
DIROUT PWMB	20	O	Direction output. Second PWM signal (Cosine).
•→ <i>Continued on next page!</i>			



Pin Names and Descriptions			
Pin	Number	Type	Function
<i>Encoder Interface Pins</i>			
N	18	I (PD)	N signal input of incremental encoder input interface. If not connected, internal pull-down resistor will be active.
NNEG	19	I (PD)	Negated N signal input of incremental encoder input interface. If not connected, internal pull-down resistor will be active.
B SDI	8	I (PD)	B signal input of incremental encoder input interface. Serial data input signal of serial encoder interface (SSI/SPI). If not connected, internal pull-down resistor is active.
BNEG NSDI SDO_ENC	9	IO	Negated B signal input of incremental encoder input interface. Negated serial data input signal of SSI encoder input interface. Serial data output of SPI encoder input interface.
A SCLK	32	IO	A signal input of incremental encoder interface. Serial clock output signal of serial encoder interface (SSI/SPI).
ANEG NSCLK NSCS_ENC	1	IO	Negated A signal input of incremental encoder interface. Negated serial clock output signal of serial encoder interface. Low active chip select output of SPI encoder input interface.

Table 2: Pin Names and Descriptions



1.3. System Overview

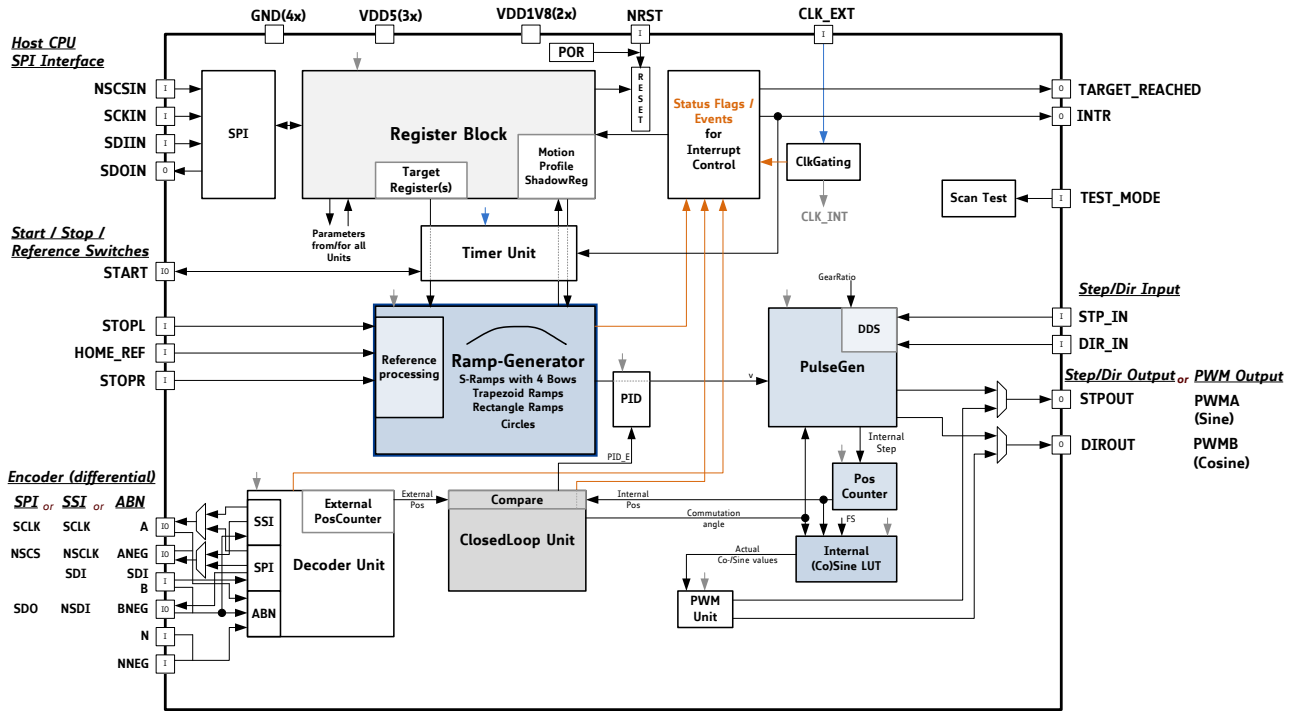


Figure 7: System Overview



2. Application Circuits

In this chapter application circuit examples are provided that show how external components can be connected.

2.1. TMC4330A Standard Connection: VCC=3.3V

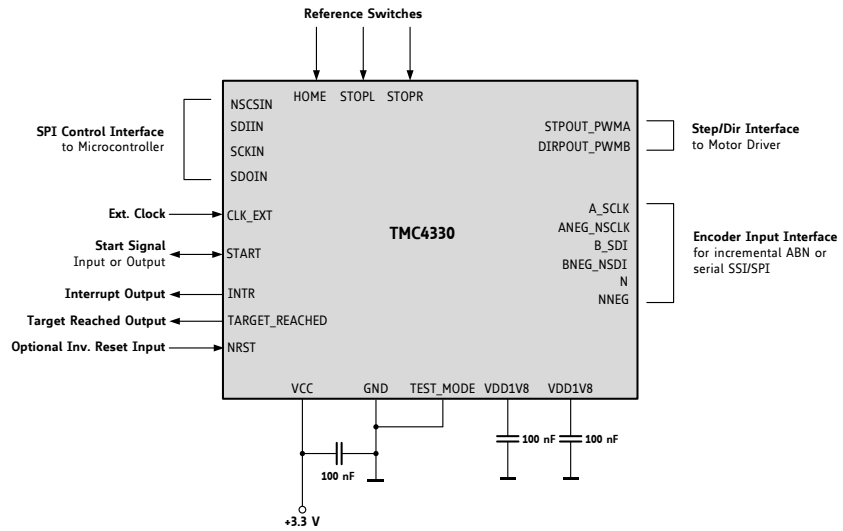


Figure 8: TMC4330A Connection: VCC=3.3V

2.2. TMC4330A with TMC2100 Stepper Connection and Encoder feedback

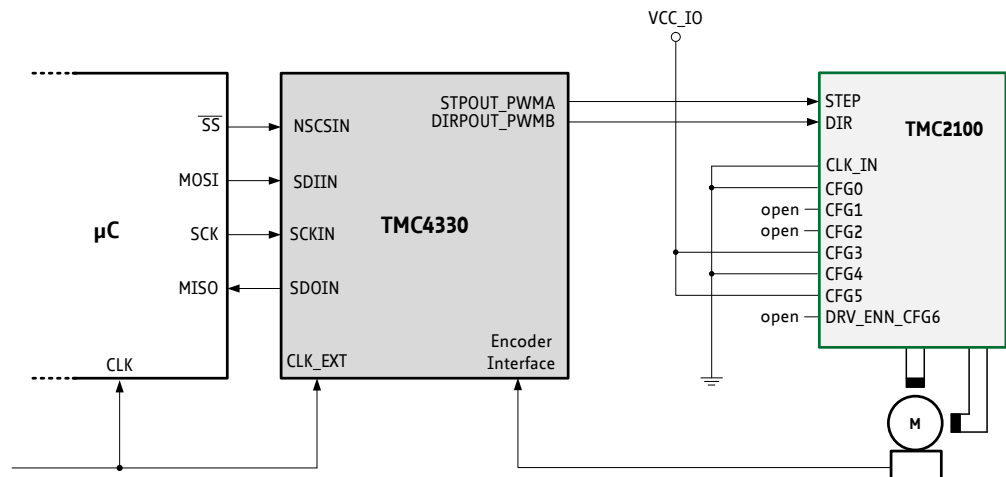


Figure 9: TMC4330A with TMC2100 Stepper Driver in stealthChop Mode

2.3. TMC4330A with TMC22xx Stepper Connection

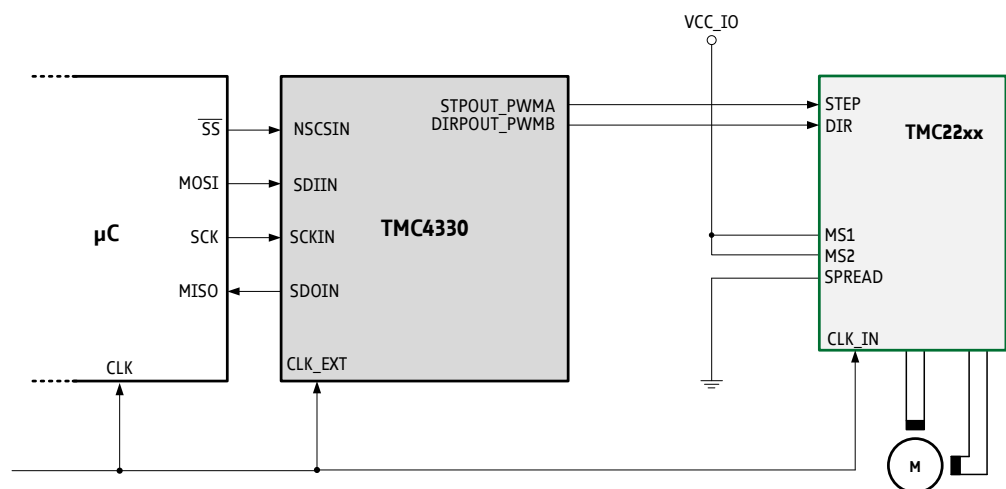


Figure 10: TMC4330A with TMC22xx Stepper Driver (32 microsteps settings)



3. SPI Interfacing

TMC4330A uses 40-bit SPI datagrams for communication with a microcontroller. The bit-serial interface is synchronous to a bus clock. For every bit sent from the bus master to the bus slave, another bit is sent simultaneously from the slave to the master. In the following chapter information is provided about the SPI control interface, SPI datagram structure and SPI transaction process.

SPI Input Control Interface Pins		
Pin Name	Type	Remarks
NSCSIN	Input	Chip Select of SPI-μC interface (low active)
SCKIN	Input	Serial clock of SPI-μC interface
SDIIN	Input	Serial data input of SPI-μC interface
SDOIN	Output	Serial data output of SPI-μC interface

Table 3: SPI Input Control Interface Pins

3.1. SPI Datagram Structure

- Microcontrollers that are equipped with hardware SPI are typically able to communicate using integer multiples of 8 bit.
- The NSCSIN line of the TMC4330A has to stay active (low) for the complete duration of the datagram transmission.
- Each datagram that is sent to TMC4330A is composed of an address byte followed by four data bytes. This allows direct 32-bit data word communication with the register set of TMC4330A. Each register is accessed via 32 data bits; even if it uses less than 32 data bits.
 - i Each register is specified by a one-byte address:
 - For read access the most significant bit of the address byte is 0.
 - For write access the most significant bit of the address byte is 1.

NOTE:

→ Some registers are write only registers. Most registers can be read also; and there are also some read only registers.

TMC4330A SPI Datagram Structure									
MSB (transmitted first)		40 bits						LSB (transmitted last)	
39		...						0	
→ 8-bit address ← 8-bit SPI status		← → 32-bit data							
39 ... 32		31 ... 0							
→ to TMC4330A: RW + 7-bit address ← from TMC4330A: 8-bit SPI status		8-bit data		8-bit data		8-bit data		8-bit data	
39 / 38 ... 32		31 ... 24		23 ... 16		15 ... 8		7 ... 0	
W	38...32	31...28	27...24	23...20	19...16	15...12	11...8	7...4	3...0
39	38 37 36 35 34 33 32	31 30 29 28	27 26 25 24	23 22 21 20	19 18 17 16	15 14 13 12	11 10 9 8	7 6 5 4	3 2 1 0

Figure 11: TMC4330A SPI Datagram Structure



Read/Write Selection Principles and Process

Read and write selection is controlled by the MSB of the address byte (bit 39 of the SPI datagram). This bit is 0 for read access and 1 for write access. Consequently, the bit named W is a WRITE_notREAD control bit.

The active high write bit is the MSB of the address byte. Consequently, 0x80 must be added to the address for a write access.

The SPI interface always delivers data back to the master, independent of the Write bit W.

Difference between Read and Write Access	
If ...	Then ...
The previous access was a read access.	The data transferred back is the data read from the address which was transmitted with the previous datagram.
The previous access was a write access	The data read back mirrors the previously received write data.

Figure 12: Difference between Read and Write Access

Conclusion:

Consequently, the difference between a read and a write access is that the read access does not transfer data to the addressed register but it transfers the address only; and its 32 data bits are dummies.

NOTE:

→ Please note that the following read delivers back data read from the address transmitted in the preceding read cycle. The data is latched immediately after the read request.

AREAS OF SPECIAL CONCERN



A read access request datagram uses dummy write data.

Read data is transferred back to the master with the subsequent read or write access.

- i Reading multiple registers can be done in a pipelined fashion. Data that is delivered is latched immediately after the initiated data transfer.

Use of Dummy Write Data

Read and Write Access Examples

For read access to register *XACTUAL* with the address 0x21, the address byte must be set to 0x21 in the access preceding the read access. For write access to register *VACTUAL*, the address byte must be set to 0x80 + 0x22 = 0xA2. For read access, the data bit can have any value, e.g., 0.

Read and Write Access Examples		
Action	Data sent to TMC	Data received from TMC
read <i>XACTUAL</i>	→ 0x2100000000	← 0xSS ¹⁾ & unused data
read <i>XACTUAL</i>	→ 0x2100000000	← 0xSS & <i>XACTUAL</i>
write <i>VACTUAL</i> := 0x00ABCDEF	→ 0xA200ABCDEF	← 0xSS & <i>XACTUAL</i>
write <i>VACTUAL</i> := 0x00123456	→ 0xA200123456	← 0xSS00ABCDEF

Table 4: Read and Write Access Examples

¹⁾ SS is a placeholder for the status bits SPI_STATUS.



Data Alignment

All data is right-aligned. Some registers represent unsigned (positive) values; others represent integer values (signed) as two's complement numbers. Some registers consist of switches that are represented as bits or bit vectors.

SPI Transaction Process

The SPI transaction process is as follows:

- The slave is enabled for SPI transaction by a transition to low level on the chip select input NSCSIN.
 - Bit transfer is synchronous to the bus clock SCKIN, with the slave latching the data from SDIIN on the rising edge of SCKIN and driving data to SDOIN following the falling edge.
 - The most significant bit is sent first.
- i. A minimum of 40 SCKIN clock cycles is required for a bus transaction with TMC4330A.

AREAS OF SPECIAL CONCERN

System Behavior Specifics

Take the following aspects into consideration:

- **Whenever data is read from or written to the TMC4330A**, the first eight bits that are delivered back contain the SPI status *SPI_STATUS* that consists of eight user-selected event bits. The selection of these bits are explained in chapter 5.2. (Page 22).
- **If less than 40 clock cycles are transmitted**, the transfer is not valid; even for read access. However, sending only eight clock cycles can be useful to obtain the SPI status because it sends the status information back first.
- **If more than 40 clocks cycles are transmitted**, the additional bits shifted into SDIIN are shifted out on SDOIN after a 40-clock delay through an internal shift register. This can be used for daisy chaining multiple chips.
- **NSCSIN must be low during the whole bus transaction.** When NSCSIN goes high, the contents of the internal shift register are latched into the internal control register and recognized as a command from the master to the slave. If more than 40 bits are sent, only the last 40 bits received - *before the rising edge of NSCSIN* - are recognized as the command.

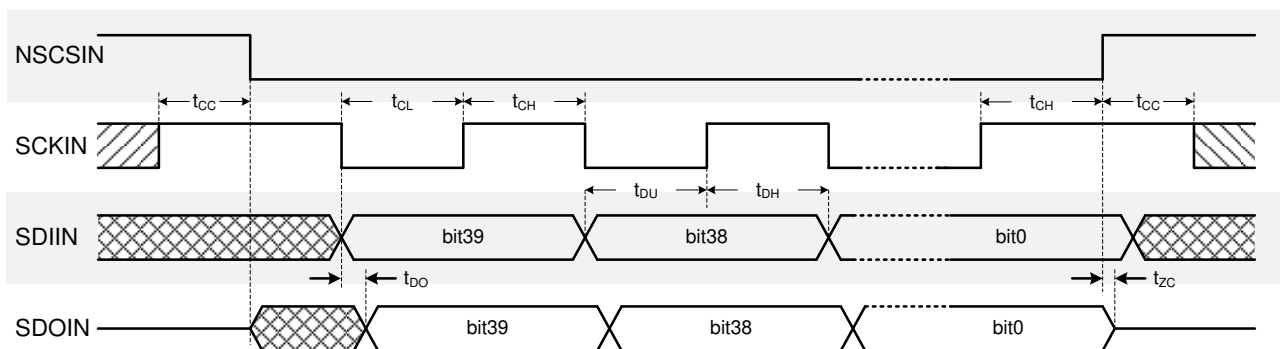


Figure 13: SPI Timing Datagram



3.1.1. SPI Timing Description

The SPI interface is synchronized to the internal system clock, which limits SPI bus clock SCKIN to a quarter of the system clock frequency. The signal processing of SPI inputs is supported with internal Schmitt Trigger, but not with RC elements.

NOTE:

→ In order to avoid glitches at the inputs of the SPI interface between μC and TMC4330A, external RC elements have to be provided.

Figure 14 shows the timing parameters of an SPI bus transaction, and the table below specifies the parameter values.

SPI Interface Timing						
SPI Interface Timing	AC Characteristics:		External clock period: t_{CLK}			
Parameter	Symbol	Conditions	Min	Type	Max	Unit
SCKIN valid before or after change of NSCSIN	t_{CC}		10			ns
NSCSIN high time	t_{CSH}	Min. time is for synchronous CLK with SCKIN high one t_{CH} before SCSIN high only.	t_{CLK}	$>2 \cdot t_{CLK} + 10$		ns
SCKIN low time	t_{CL}	Min. time is for synchronous CLK only.	t_{CLK}	$>t_{CLK} + 10$		ns
SCKIN high time	t_{CH}	Min. time is for synchronous CLK only.	t_{CLK}	$>t_{CLK} + 10$		ns
SCKIN frequency using external clock (Example: $f_{CLK} = 16$ MHz)	f_{SCK}	Assumes synchronous CLK.			$f_{CLK} / 4$ (4)	MHz
SDIIN setup time before rising edge of SCKIN	t_{DU}		10			ns
SDIIN hold time after rising edge of SCKIN	t_{DH}		10			ns
Data out valid time after falling SCKIN clock edge	t_{DO}	No capacitive load on SDOIN.			$t_{FILT} + 5$	ns

Table 5: SPI Interface Timing

$$i \quad t_{CLK} = 1 / f_{CLK}$$



4. Input Filtering

Input signals can be noisy due to long cables and circuit paths. To prevent jamming, every input pin provides a Schmitt trigger. Additionally, several signals are passed through a digital filter. Particular input pins are separated into four filtering groups. Each group can be programmed individually according to its filter characteristics. In this chapter informed on the digital filtering feature of TMC4330A is provided; and how to separately set up the digital filter for input pins.

Input Filtering Groups		
Pin Names	Type	Remarks
A_SCLK B_SDI N ANEG_NSCLK BNEG_NSDI NNEG	Inputs	Encoder interface input pins.
STOPL HOME_REF STOPR	Inputs	Reference input pins.
START	Input	START input pin.
STPIN DIRIN	Inputs	Step/Dir interface inputs.

Table 6: Input Filtering Groups (Assigned Pins)

Register Names			
Register Names	Register Address	Remarks	
<i>INPUT_FILT_CONF</i>	0x03	RW	Filter configuration for all four input groups.

Table 7: Input Filtering (Assigned Register)

Input Filter Assignment

Every filtering group can be configured separately with regard to input sample rate and digital filter length.

The following groups exist:

- Encoder interface input pins.
- Reference input pins.
- Start input pin.
- Step/Dir input pins.

NOTE:

→ For the correct set-up of the *INPUT_FILT_CONF* register 0x03, please check section [14.4.](#), page [128](#).



Input Sample Rate (SR)

Input sample rate = $f_{CLK} / 2^{SR}$ where:

SR (extended with a particular name extension) is in [0... 7].

- i This means that the next input value is considered after 2^{SR} clock cycles.

Sample Rate Configuration

Sample Rate Configuration	
SR Value	Sample Rate
0	f_{CLK}
1	$f_{CLK}/2$
2	$f_{CLK}/4$
3	$f_{CLK}/8$
4	$f_{CLK}/16$
5	$f_{CLK}/32$
6	$f_{CLK}/64$
7	$f_{CLK}/128$

Table 8: Sample Rate Configuration

Digital Filter Length ($FILT_L$)

- i The filter length $FILT_L$ can be set within the range [0... 7].
- i The filter length $FILT_L$ specifies the number of sampled bits that must have the same voltage level to set a new input bit voltage level.

Digital Filter Length Configuration Table

Configuration of Digital Filter Length	
$FILT_L$ value	Filter Length
0	No filtering.
1	2 equal bits.
2	3 equal bits.
3	4 equal bits.
4	5 equal bits.
5	6 equal bits.
6	7 equal bits.
7	8 equal bits.

Table 9: Configuration of Digital Filter Length



4.1. Input Filtering Examples

The following three examples depict input pin filtering of three different input filtering groups.

- i After passing Schmitt trigger, voltage levels are compared to internal signals, which are processed by the motion controller.
- i The sample points are depicted as green dashed lines.

Example 1: Reference Input Pins

In this example every second clock cycle is sampled. Two sampled input bits must be equal to receive a valid input voltage.

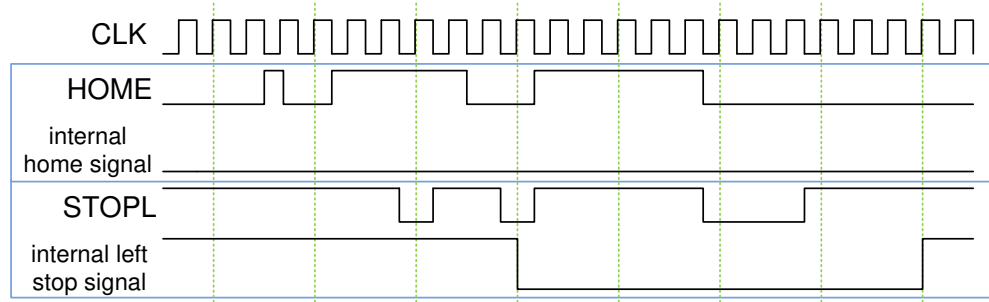


Figure 14: Reference Input Pins: $SR_REF = 1$, $FILT_L_REF = 1$

Example 2: START Input Pin

This example shows the START input pattern at every fourth clock cycle:

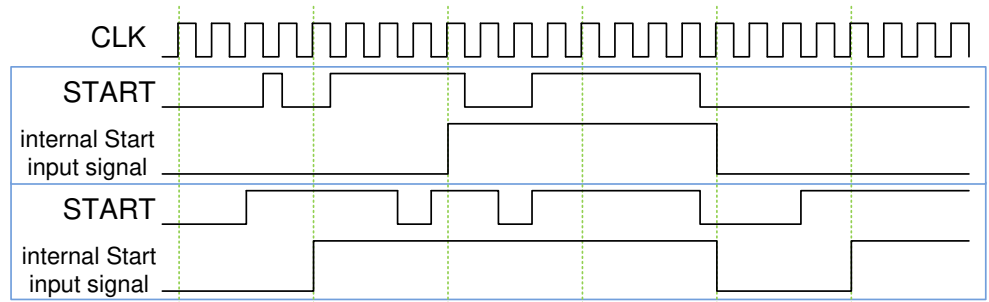


Figure 15: START Input Pin: $SR_S = 2$, $FILT_L_S = 0$

Example 3: Encoder Interface Input Pins

This example shows every clock cycle bit. Eight sampled input bits must be equal to receive a valid input voltage.

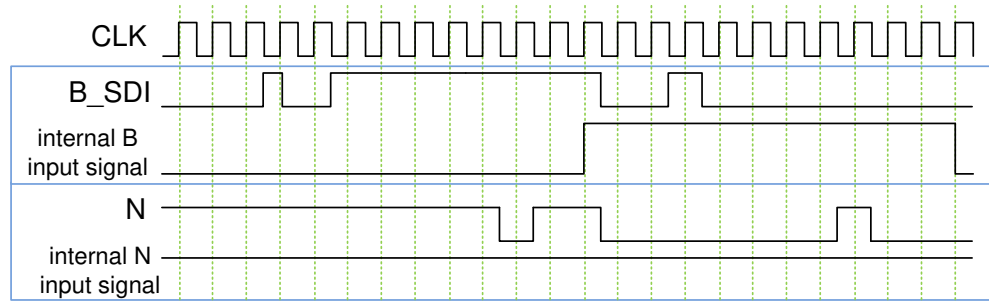


Figure 16: Encoder Interface Input Pins: $SR_ENC_IN = 0$, $FILT_L_ENC_IN = 7$



5. Status Flags and Events

TMC4330A provides several status flags and status events to obtain short information on the internal status or motor driver status. These flags and events can be read out from dedicated registers. In the following chapter, you are informed about the generation of interrupts based on status events. Status events can also be assigned to the first eight SPI status bits, which are sent within each SPI datagram.

Pin Names: Status Events		
Pin Names	Type	Remarks
INTR	Output	Interrupt output to indicate status events.

Table 10: Pins Names: Status Events

Register Names: Status Flags and Events			
Register Name	Register Address		Remarks
<i>GENERAL_CONF</i>	0X00	RW	Bits: 15, 29, 30.
<i>STATUS_FLAGS</i>	0X0F	R	32 status flags of TMC4330A and the connected TMC motor driver chip.
<i>EVENTS</i>	0X0E	R+C W	32 events triggered by altered TMC4330A status bits.
<i>SPI_STATUS_SELECTION</i>	0X0B	RW	Selection of 8 out of 32 events for SPI status bits.
<i>EVENT_CLEAR_CONF</i>	0X0C	RW	Exceptions for cleared event bits.
<i>INTR_CONF</i>	0X0D	RW	Selection of 32 events for INTR output.

Table 11: Register Names: Status Flags and Events



5.1. Status Event Description

Status events are based on status bits. If the status bits change, related events are triggered from inactive to active level. Resetting events back to inactive must be carried out manually.

Association of Status Bits

Status bits and status events are associated in different ways:

- Status flags reflect the as-is-condition, whereas status events indicate that the dedicated information has changed since the last read request of the *EVENTS* register. Several status events are associated with one status bit.
- Some status events show the status transition of one or more status bits out of a status bit group.
- In case a flag consists of more than one bit, the number of associated events that can be triggered corresponds to the valid combinations. The *VEL_STATE* flag, e.g., has two bit but three associated velocity state events (b'00/b'01/b'10). Such an event is triggered if the associated combination switches from inactive to active.

NOTE:

→ Some events have no equivalence in the *STATUS_FLAGS* register 0x0F.

Automatic Clearance of EVENTS

The *EVENTS* register 0x0E is automatically cleared after reading the register; subsequent to an SPI datagram request. Events are important for interrupt generation and SPI status monitoring.

NOTE:

→ It is recommended to clear *EVENTS* register 0x0E by read request before regular operation.

AREAS OF SPECIAL CONCERN



Recognition of a status event can fail; in case it is triggered right before or during *EVENTS* register 0x0E becomes cleared.

In order to prevent events from being cleared, assign *EVENT_CLEAR_CONF* register 0x0C according to the particular event in the *EVENTS* register:

Action:

- Set related *EVENT_CLEAR_CONF* register bit position to 1.

Result:

The related event is not cleared when *EVENTS* register is read out.

In order to clear these events, do the following, if necessary:

Action:

- Set related *EVENTS* register 0x0E bit position to 1.

Result:

The related event is cleared by writing to the *EVENTS* register.

How to Avoid Lack of Information



5.2. SPI Status Bit Transfer

Up to eight events can be selected for permanent SPI status report. Consequently, these events are always transferred at the most significant transfer bits within each TMC4330A SPI response.

Assign an Event to a Status Bit

In order to select an event for the SPI status bits, assign the *SPI_STATUS_SELECTION* register 0x0B according to the particular event in the *EVENTS* register:

Action:

- Set the related *SPI_STATUS_SELECTION* register bit position to 1.

Result:

The related event is transferred with every SPI datagram response as *SPI_STATUS*.

NOTE:

- The bit positions are sorted according to the event bit positions in the *EVENTS* register 0x0E. In case more than eight events are selected, the first eight bits (starting from index 0 = LSB) are forwarded as *SPI_STATUS*.

5.3. Generation of Interrupts

Similar to *EVENT_CLEAR_CONF* register and *SPI_STATUS_SELECTION* register, events can be selected for forwarding via INTR output. The selected events are ORed to one signal which means that INTR output switches active as soon as one of the selected events triggers.

Generate Interrupts

In order to select an event for the INTR output pin, assign the *INTR_CONF* register 0x0D according to the particular event in the *EVENTS* register:

Action:

- Set the related *INTR_CONF* register bit position to 1.

Result:

The related event is forwarded at the INTR output. If more than one event is requested, INTR becomes active as soon as one of the selected events is active.

INTR Output Polarity

Per default, the INTR output is low active.

In order to change the INTR polarity to high active, do the following:

Action:

- Set *intr_pol* = 1 (*GENERAL_CONF* register 0x00).

Result:

INTR is high active.



5.4. Connection of Multiple INTR Pins

INTR pin can be configured for a shared interrupt signal line of several TMC4330A interrupt signals to the microcontroller.

Connecting several Interrupt Pins

In order to make use of a Wired-Or or Wired-And behavior, the below described actions must be taken:

Action:

- **Step 1:** Set *intr_tr_pu_pd_en* = 1 (*GENERAL_CONF* register 0x00).

OPTION 1: WIRED-OR

Action:

- **Step 2:** Set *intr_as_wired_and* = 0 (*GENERAL_CONF* register 0x00).

Result:

The INTR pin works efficiently as Wired-Or (default configuration).

- i In case INTR pin is inactive, the pin drive has a weak inactive polarity output. If one of the connected pins is activated, the whole line is set to active polarity.

OPTION 2: WIRED-AND

Action:

- **Step 2:** Set *intr_as_wired_and* = 1 of the *GENERAL_CONF* register 0x00.

Result:

In case no interrupt is active, the INTR pin has a strong inactive polarity output. During the active state, the pin drive has a weak active polarity output. Consequently, the whole signal line is activated in case all pins are forwarding the active polarity.



6. Ramp Configurations for different Motion Profiles

Step generation is one of the main tasks of a stepper motor motion controller. The internal ramp generator of TMC4330A provides several step generation configurations with different motion profiles. They can be configured in combination with the velocity or positioning mode.

Pin Names: Ramp Generator		
Pin Names	Type	Remarks
STPOUT_PWMA	Output	Step output signal.
DIROUT_PWMB	Output	Direction output signal.

Table 12: Pin Names: Ramp Generator

Register Names: Ramp Generator			
Register Name	Register Address	Remarks	
<i>GENERAL_CONF</i>	0x00	RW	Ramp generator affecting bits 5:0.
<i>STP_LENGTH_ADD</i>	0x10	RW	Additional step length in clock cycles; 16 bits.
<i>DIR_SETUP_TIME</i>			Additional time in clock cycles when no steps will occur after a direction change; 16 bits.
<i>RAMPMODE</i>	0x20	RW	Requested motion profile and operation mode; 3 bits.
<i>XACTUAL</i>	0x21	RW	Current internal microstep position; signed; 32 bits.
<i>VACTUAL</i>	0x22	R	Current step velocity; 24 bits; signed; no decimals.
<i>AACTUAL</i>	0x23	R	Current step acceleration; 24 bits; signed; no decimals.
<i>VMAX</i>	0x24	RW	Maximum permitted or target velocity; signed; 32 bits= 24+8 (24 bits integer part, 8 bits decimal places).
<i>VSTART</i>	0x25	RW	Velocity at ramp start; unsigned; 31 bits=23+8.
<i>VSTOP</i>	0x26	RW	Velocity at ramp end; unsigned; 31 bits=23+8.
<i>VBREAK</i>	0x27	RW	At this velocity value, the acceleration/deceleration will change during trapezoidal ramps; unsigned; 31 bits=23+8.
<i>AMAX</i>	0x28	RW	Maximum permitted or target acceleration; unsigned; 24 bits=22+2 (22 bits integer part, 2 bits decimal places).
<i>DMAX</i>	0x29	RW	Maximum permitted or target deceleration; unsigned; 24 bits=22+2.
<i>ASTART</i>	0x2A	RW	Acceleration at ramp start or below VBREAK; unsigned; 24 bits=22+2.
<i>DFINAL</i>	0x2B	RW	Deceleration at ramp end or below VBREAK; unsigned; 24 bits=22+2.
<i>BOW1</i>	0x2D	RW	First bow value of a complete velocity ramp; unsigned; 24 bits=24+0 (24 bits integer part, no decimal places).
<i>BOW2</i>	0x2E	RW	Second bow value of a complete velocity ramp; unsigned; 24bits=24+0.
<i>BOW3</i>	0x2F	RW	Third bow value of a complete velocity ramp; unsigned; 24 bits=24+0.
<i>BOW4</i>	0x30	RW	Fourth bow value of a complete velocity ramp; unsigned; 24 bits=24+0.
<i>CLK_FREQ</i>	0x31	RW	External clock frequency f_{CLK} ; unsigned; 25 bits.
<i>XTARGET</i>	0x37	RW	Target position; signed; 32 bits.

Table 13: Register Names: Ramp Generator



6.1. Step/Dir Output Configuration

This section focuses on the description of the Step/Dir output configuration.

6.1.1. Step/Dir Output Configuration Steps

Step/Dir output signals can be configured for the driver circuit.

If step signals must be longer than one clock cycle, do as follows:

Action:

- Set proper *STP_LENGTH_ADD* register 0x10 (bit 15:0).

Result:

The resulting step length is equal to *STP_LENGTH_ADD*+1 clock cycles. This is how the step length is assigned within a range of up to 1-up-to-2¹⁶ clock cycles.

Action:

- Set proper *DIR_SETUP_TIME* register 0x10 (bit 31:16).

Result:

The delay period between DIROUT and STPOUT voltage level transitions last *DIR_SETUP_TIME* clock cycles. No steps are sent via STPOUT for *DIR_SETUP_TIME* clock cycles after a level change at DIROUT.

PRINCIPLE:

DIROUT does not change the level:

- During active step pulse signal
- For (*STP_LENGTH_ADD*+1) clock cycles after the step signal returns to inactive level

6.1.2. STPOUT: Changing Polarity

STPOUT characteristics can be set differently, as follows:

Per default, the step output is high active because a rising edge at STPOUT indicates a step.

In order to change the polarity, do as follows:

Action:

- Set *step_inactive_pol* = 1 (bit3 of *GENERAL_CONF* register 0x00).

Result:

Each falling edge indicates a step.

How to prompt Level Change with every Step

In order to prompt a step at every level change, do as follows:

Action:

- Set *toggle_step* = 1 (bit4 of *GENERAL_CONF* register 0x00).

Result:

Every level change indicates a step.

DIROUT: Changing the Polarity

Per default, voltage level 1 at DIROUT indicates a negative step direction. DIROUT characteristics can be set differently, as shown below.

In order to change polarity, do as follows:

Action:

- Set *pol_dir_out* = 0 (bit5 of *GENERAL_CONF* register 0x00).

Result:

A high voltage level at DIROUT indicates a positive step direction.

