



Chipsmall Limited consists of a professional team with an average of over 10 year of expertise in the distribution of electronic components. Based in Hongkong, we have already established firm and mutual-benefit business relationships with customers from,Europe,America and south Asia,supplying obsolete and hard-to-find components to meet their specific needs.

With the principle of “Quality Parts,Customers Priority,Honest Operation,and Considerate Service”,our business mainly focus on the distribution of electronic components. Line cards we deal with include Microchip,ALPS,ROHM,Xilinx,Pulse,ON,Everlight and Freescale. Main products comprise IC,Modules,Potentiometer,IC Socket,Relay,Connector.Our parts cover such applications as commercial,industrial, and automotives areas.

We are looking forward to setting up business relationship with you and hope to provide you with the best service and solution. Let us make a better world for our industry!



Contact us

Tel: +86-755-8981 8866 Fax: +86-755-8427 6832

Email & Skype: info@chipsmall.com Web: www.chipsmall.com

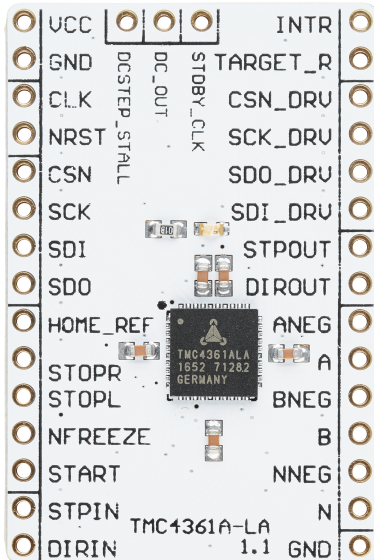
Address: A1208, Overseas Decoration Building, #122 Zhenhua RD., Futian, Shenzhen, China



TMC4361A-LA BOB Description

Document Revision V1.00 • 2017-Oct-19

Module Top View



Features and additional Resources

- TMC4361A-LA stepper motor servo controller with S-shaped ramps
- Supply voltage 3.3V or 5V
- Configuration and control via SPI and Step/Direction
- SPI or Step and Direction output
- Reference switch and synchronization signal inputs
- Encoder interface for closed loop control
- Board width 1.0", board height 1.5"
- 2x15 pin 0.1" header rows for pins/connectors
- Link to [additional information and IC Datasheet](#)
- Link to [Evaluation Kit](#)

Pin List

Left	Signal	Right	Signal
1	VCC	16	INTR
2	GND	17	TARGET_R
3	CLK	18	CSN_DRV
4	NRST	19	SCK_DRV
5	CSN	20	SDO_DRV
6	SCK	21	SDL_DRV
7	SDI	22	STPOUT
8	SDO	23	DIROUT
9	HOME_REF	24	ANEG
10	STOPR	25	A
11	STOPL	26	BNEG
12	NFREEZE	27	B
13	START	28	NNEG
14	STPIN	29	N
15	DIRIN	30	GND

Bill of Materials

Pcs.	MPN	Value	Footprint	Description
5	MC0603B104K160CT	100nF/16V/10%	0603	Cap, Multicomp
1	LTST-C191TBKT-5A	20mA,2.8V,465nm	0603	LED, Lite-On
1	TMC4361A-LA	TMC4361A-LA	QFN40,6x6,0.5	Controller, TRINAMIC
1	MC0063W060311K	1k	0603	Res, Multicomp



BOB Schematics

