



Chipsmall Limited consists of a professional team with an average of over 10 year of expertise in the distribution of electronic components. Based in Hongkong, we have already established firm and mutual-benefit business relationships with customers from,Europe,America and south Asia,supplying obsolete and hard-to-find components to meet their specific needs.

With the principle of “Quality Parts,Customers Priority,Honest Operation,and Considerate Service”,our business mainly focus on the distribution of electronic components. Line cards we deal with include Microchip,ALPS,ROHM,Xilinx,Pulse,ON,Everlight and Freescale. Main products comprise IC,Modules,Potentiometer,IC Socket,Relay,Connector.Our parts cover such applications as commercial,industrial, and automotives areas.

We are looking forward to setting up business relationship with you and hope to provide you with the best service and solution. Let us make a better world for our industry!



Contact us

Tel: +86-755-8981 8866 Fax: +86-755-8427 6832

Email & Skype: info@chipsmall.com Web: www.chipsmall.com

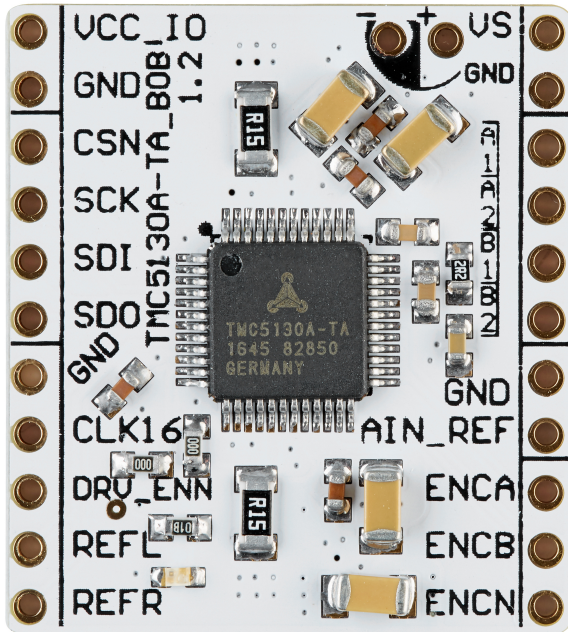
Address: A1208, Overseas Decoration Building, #122 Zhenhua RD., Futian, Shenzhen, China



TMC5130A-TA BOB Description

Document Revision V1.00 • 2017-Oct-16

Module Top View



Features and additional Resources

- TMC5130A-TA stepper driver and controller
- Supply voltage 5-46V, $I_{phase,RMS}$ up to 1.4A
- Solder option to select between internal or external ramp generation (R1/R2)
- Configuration and control via SPI
- Use off-board electrolyte cap with your supply
- Board width 1.0", board height 1.1"
- 2x11 pin 0.1" header rows for pins/connectors
- Link to [additional information and IC data sheet](#)
- Link to [evaluation kit](#)

Pin List

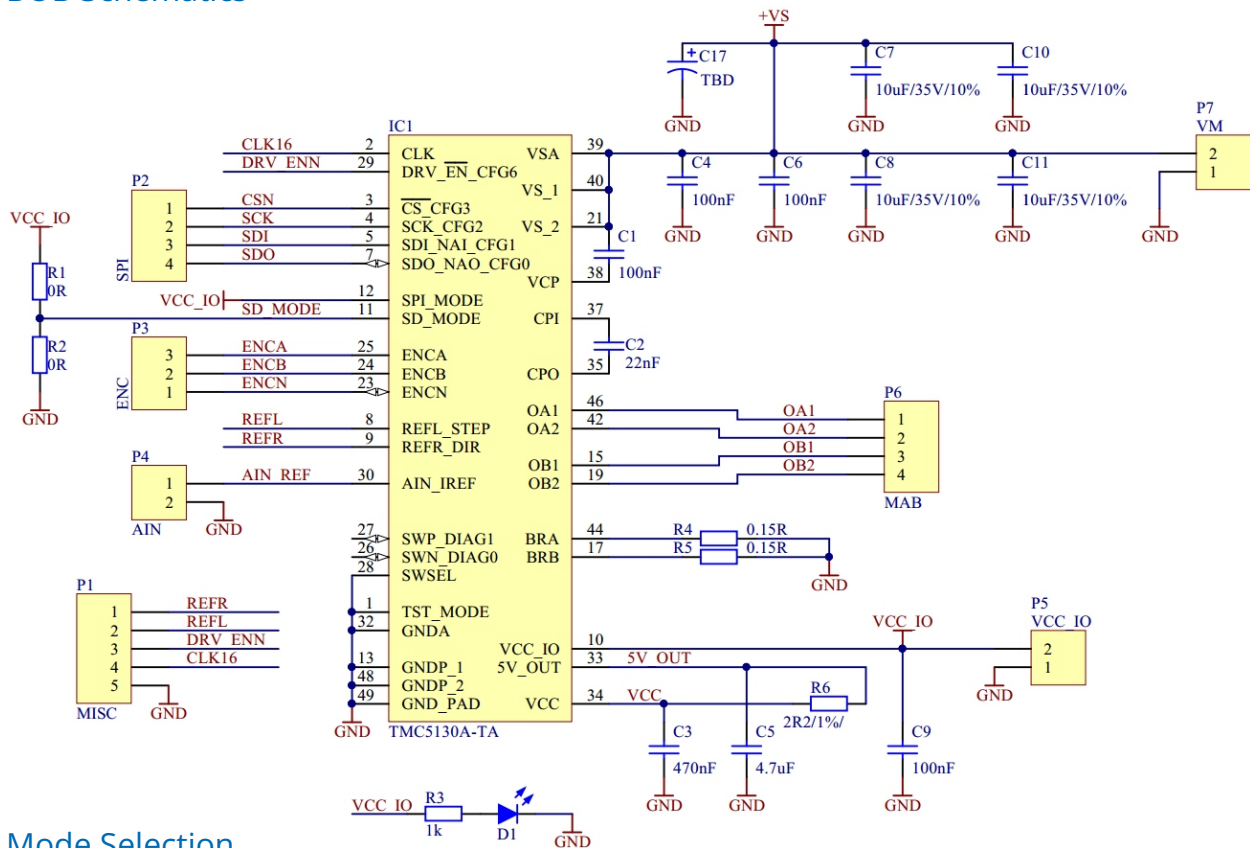
Left	Signal	Right	Signal
1	VCC_IO (3.3V or 5V)	12	VS
2	GND	13	GND
3	CSN (active low)	14	OA1
4	SCK (up to 8MHz with ext. CLK)	15	OA2
5	SDI (data in)	16	OB1
6	SDO (data out)	17	OB2
7	GND	18	GND
8	CLK16 (pull to GND for internal CLK)	19	AIN_REF (see data sheet)
9	DRV_ENN (active low)	20	ENCA (3.3V or 5V)
10	REFL (3.3V or 5V)	21	ENCB (3.3V or 5V)
11	REFR (3.3V or 5V)	22	ENCN (3.3V or 5V)

Bill of Materials

Pcs.	MPN	Value	Footprint	Description
4	MC0603F104M500CT	100nF	0603	Cap, Multicomp
1	MC0603B223K500CT	22nF	0603	Cap, Multicomp
1	MC0603X474K160CT	470nF	0603	Cap, Multicomp
1	MC0603X475K100CT	4.7uF	0603	Cap, Multicomp
4	GRM31CC8YA106KA12L	10uF,35V,10%	1206	Cap, Murata
1		App-specific	THT POL CAP, 2 pins	Optional ELKO
1	LTST-C191TBKT-5A	20mA,2.8V,465nm	0603	LED, Lite-On
1	TMC5130A-TA	TMC5130A-TA	TQFP48,7x7,0.5	cDriver, TRINAMIC
2	MCWR06X000 PTL	0R	R0603	Res, Multicomp
1	MC0063W060311K	1k	0603	Res, Multicomp
2	ERJ-8B5FR15V	0.15R,0.5W,1%	1206	SenseR, Panasonic
1	MC0063W060312R2	2R2,1%	0603	Res, Multicomp



BOB Schematics



Mode Selection

- Soldering R2 / not R1 = Internal ramp generator active with Trinamic's 6-point-ramp (default mode)
- Soldering R1 / not R2 = Step/Direction interface active for use with external motion controller (STEP = REFL, DIR = REFR)

