



Chipsmall Limited consists of a professional team with an average of over 10 year of expertise in the distribution of electronic components. Based in Hongkong, we have already established firm and mutual-benefit business relationships with customers from,Europe,America and south Asia,supplying obsolete and hard-to-find components to meet their specific needs.

With the principle of "Quality Parts,Customers Priority,Honest Operation,and Considerate Service",our business mainly focus on the distribution of electronic components. Line cards we deal with include Microchip,ALPS,ROHM,Xilinx,Pulse,ON,Everlight and Freescale. Main products comprise IC,Modules,Potentiometer,IC Socket,Relay,Connector.Our parts cover such applications as commercial,industrial, and automotives areas.

We are looking forward to setting up business relationship with you and hope to provide you with the best service and solution. Let us make a better world for our industry!



Contact us

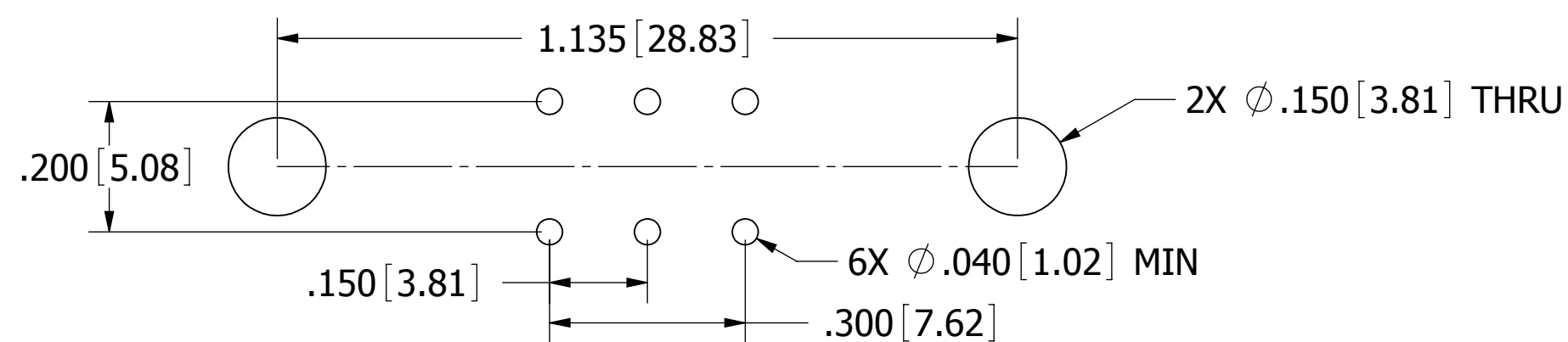
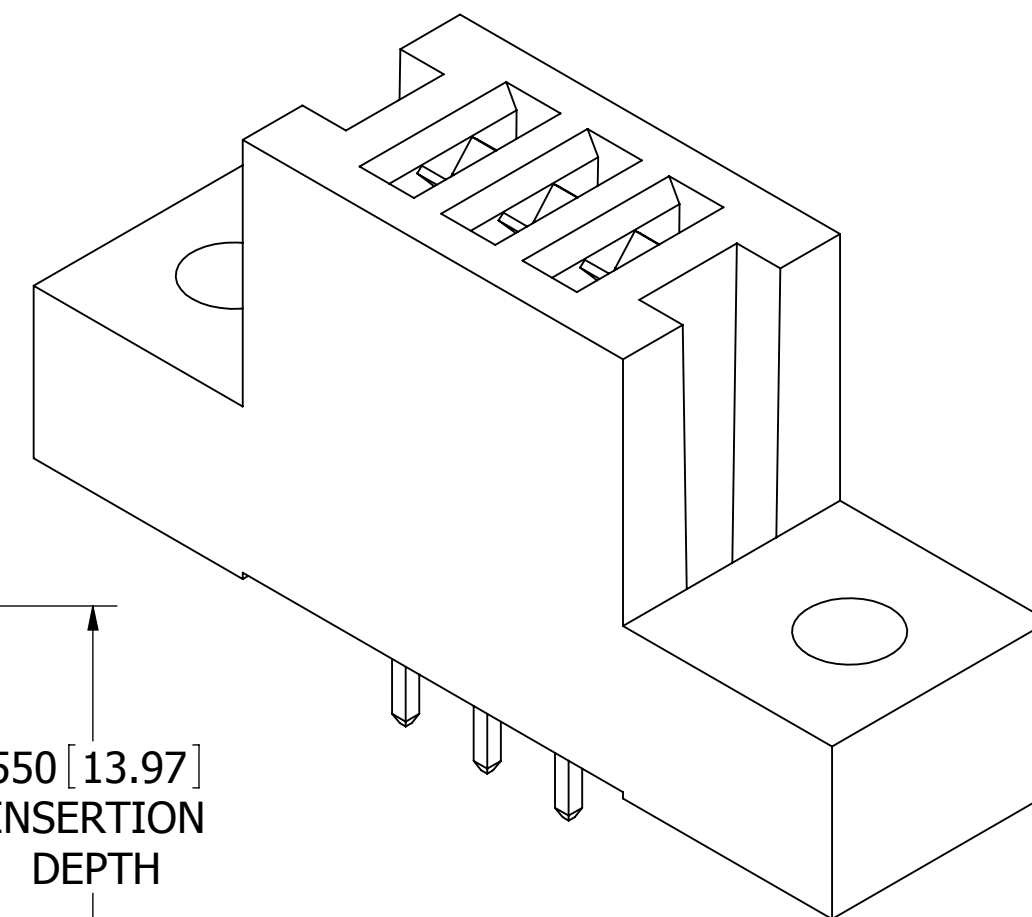
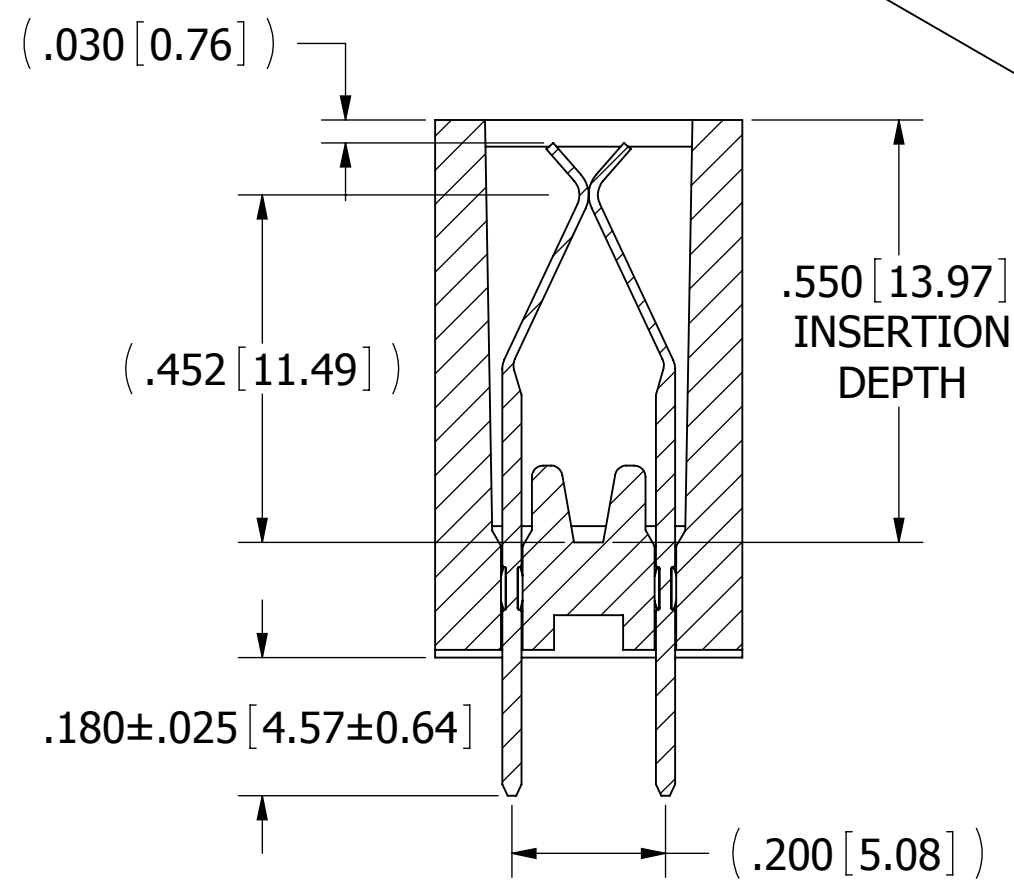
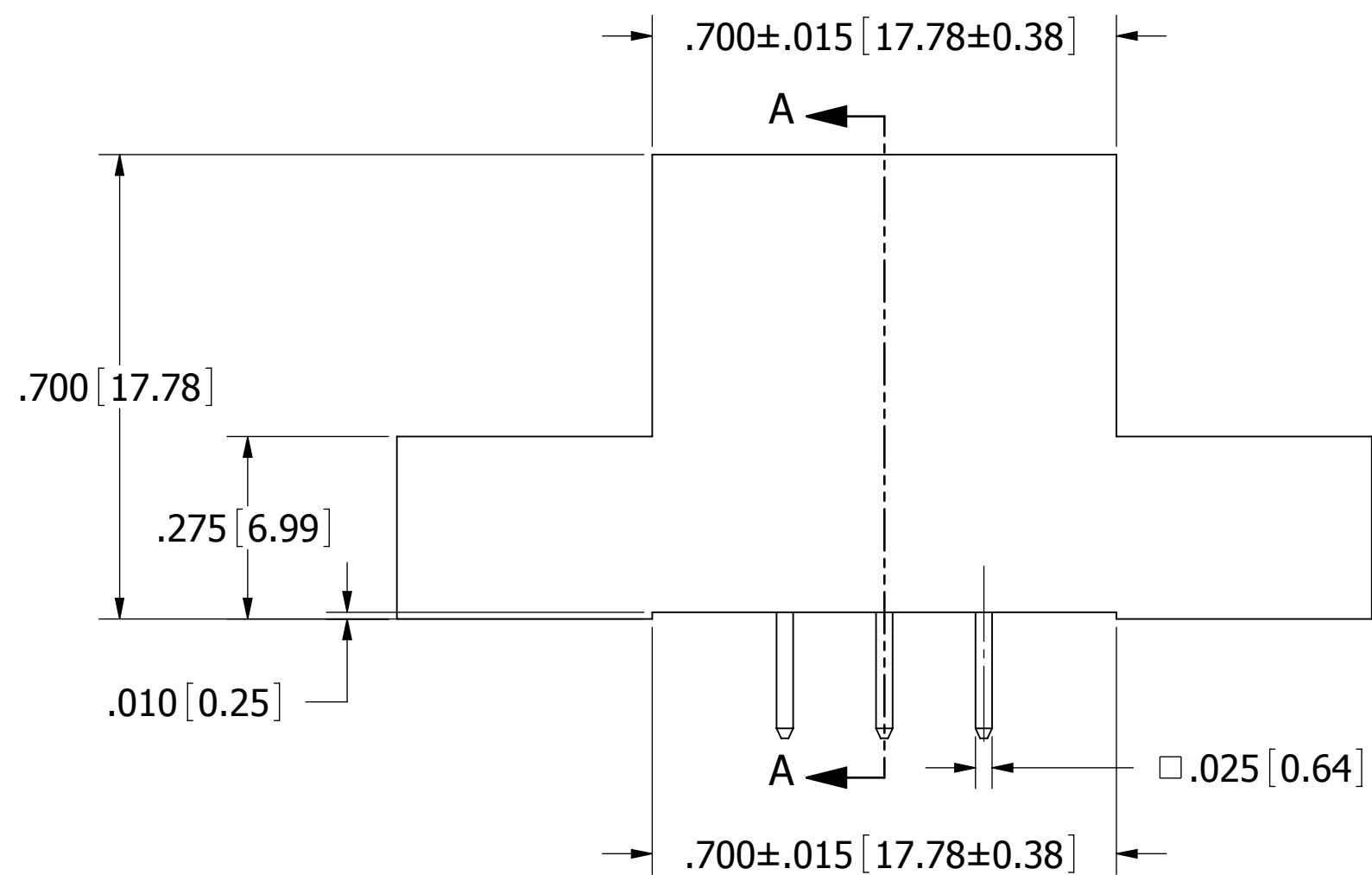
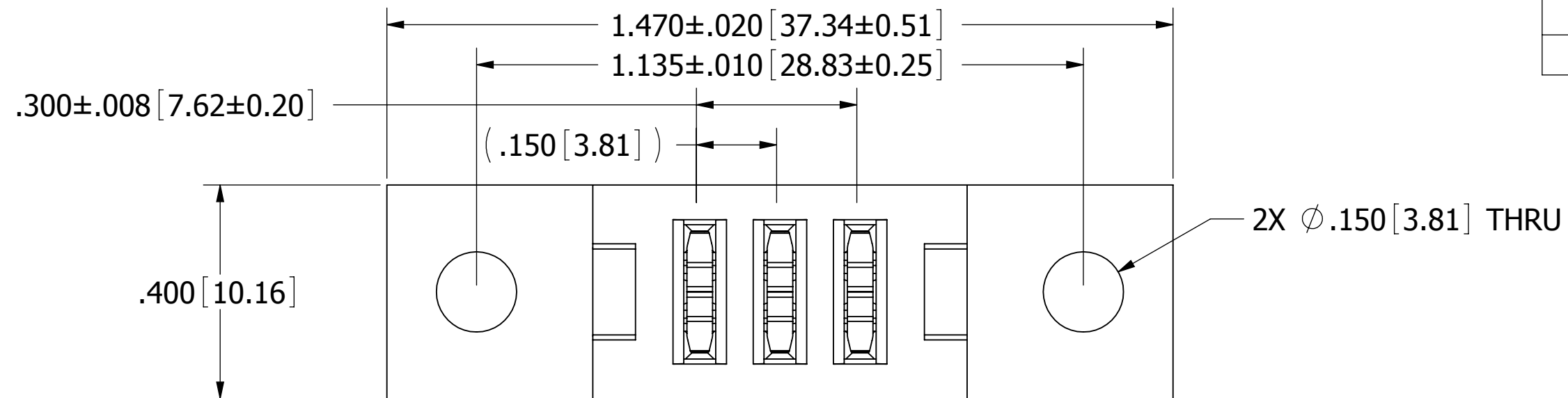
Tel: +86-755-8981 8866 Fax: +86-755-8427 6832

Email & Skype: info@chipsmall.com Web: www.chipsmall.com

Address: A1208, Overseas Decoration Building, #122 Zhenhua RD., Futian, Shenzhen, China



REVISIONS				
REV.	ECO. NO	DESCRIPTION	DATE	BY
B	2661	UPDATED NOTE & DRAWING FORMAT	9/6/2012	KV
C	2779	UPDATE TITLE & NOTES	5/22/2013	JH



PCB LAYOUT RECOMMENDED

NOTES:

- INSULATOR MATERIAL: BROWN PPS
- CONTACT MATERIAL: BERYLLIUM COPPER
- PLATING: .000050" MIN NICKEL UNDERPLATE
CONTACT SURFACE: .000030" GOLD
TERMINATION: .000010" GOLD OVERALL
- OPERATING TEMPERATURE: -65 °C TO +175 °C
- PROCESSING TEMP: 260 °C FOR 20 SECONDS MAX
- UL FLAMMABILITY RATING: 94V-0
- OPERATING VOLTAGE: 850 VAC MINIMUM AT SEA LEVEL
- CURRENT RATING: 3 AMP
- CONTACT RESISTANCE: 30 MILLI OHMS MAX
- INSULATION RESISTANCE: 5000 MEGA OHMS
- DURABILITY: 500 CYCLES MIN
- CONNECTOR IDENTIFICATION: THE PART SHALL BE MARKED WITH A PART NUMBER AND LOT CODE
- MODIFICATION: BODY WIDTH .400", $\phi .150$ " MOUNTING HOLES, 1.135" HOLE TO HOLE DIM, SHORTING CANTILEVER CONTACTS ALL POSITIONS.

CUSTOMER COPY



UNLESS OTHERWISE SPECIFIED: DIMENSIONS ARE IN INCHES [MM]	DRAWN	DATE	NAME	
		03/02/11	JH	
TOLERANCES: ANGULAR: ± 1° DECIMALS .XX= ± .02 [.5] .XXX= ± .005 [.13] .XXXX= ± .0005 [.013]	<small>THE INFORMATION HEREIN CONTAINS PROPRIETARY INFORMATION OF SULLINS ELECTRONICS AND IS NOT TO BE REPRODUCED, USED OR DISCLOSED TO OTHERS FOR ANY PURPOSE EXCEPT AS SPECIFICALLY AUTHORIZED IN WRITING BY AN OFFICER OF SULLINS ELECTRONICS.</small>			TITLE
				TO-254 SOCKET
PART NUMBER				TMJ03DKSD-S1512
SIZE	CAGE CODE	DWG. NO.	REV	
C	54453	C11667	C	
SCALE: 4:1		SHEET 1 OF 1		