



Chipsmall Limited consists of a professional team with an average of over 10 year of expertise in the distribution of electronic components. Based in Hongkong, we have already established firm and mutual-benefit business relationships with customers from,Europe,America and south Asia,supplying obsolete and hard-to-find components to meet their specific needs.

With the principle of “Quality Parts,Customers Priority,Honest Operation,and Considerate Service”,our business mainly focus on the distribution of electronic components. Line cards we deal with include Microchip,ALPS,ROHM,Xilinx,Pulse,ON,Everlight and Freescale. Main products comprise IC,Modules,Potentiometer,IC Socket,Relay,Connector.Our parts cover such applications as commercial,industrial, and automotives areas.

We are looking forward to setting up business relationship with you and hope to provide you with the best service and solution. Let us make a better world for our industry!



## Contact us

Tel: +86-755-8981 8866 Fax: +86-755-8427 6832

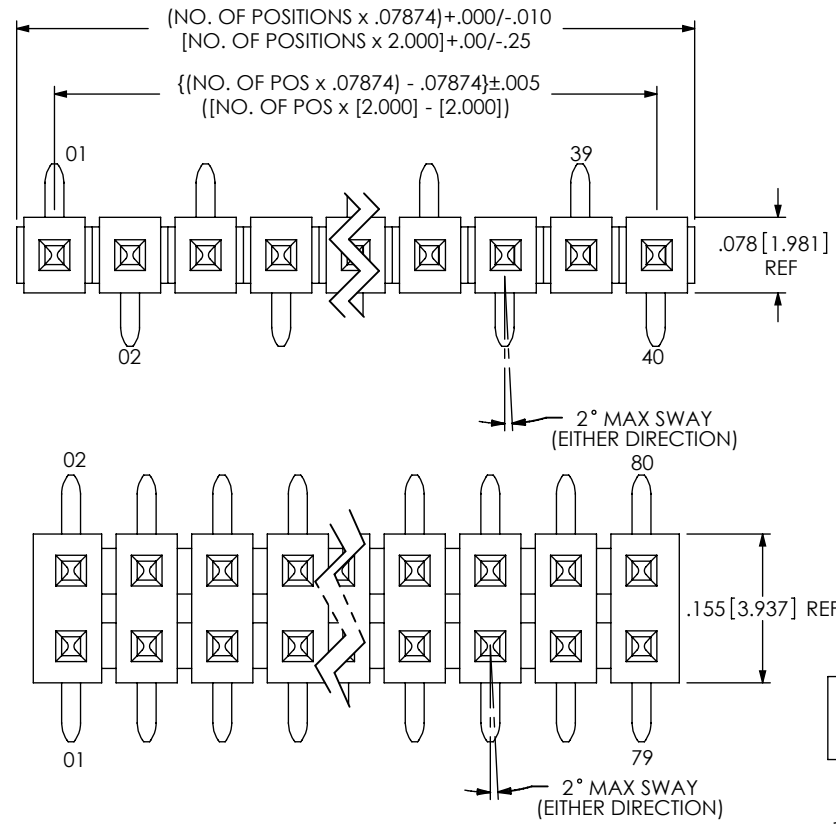
Email & Skype: info@chipsmall.com Web: www.chipsmall.com

Address: A1208, Overseas Decoration Building, #122 Zhenhua RD., Futian, Shenzhen, China



DO NOT SCALE FROM THIS PRINT

TMM-1XX-XX-XX-X-SM-XX-X

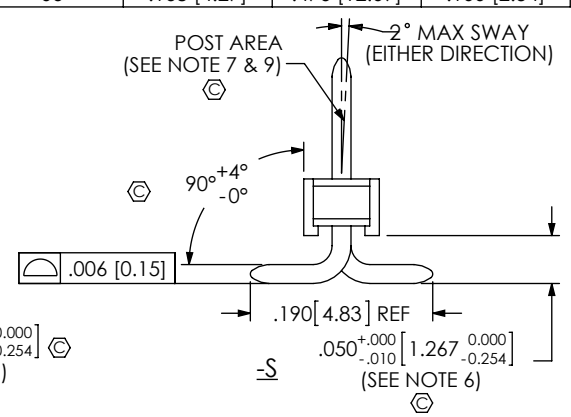
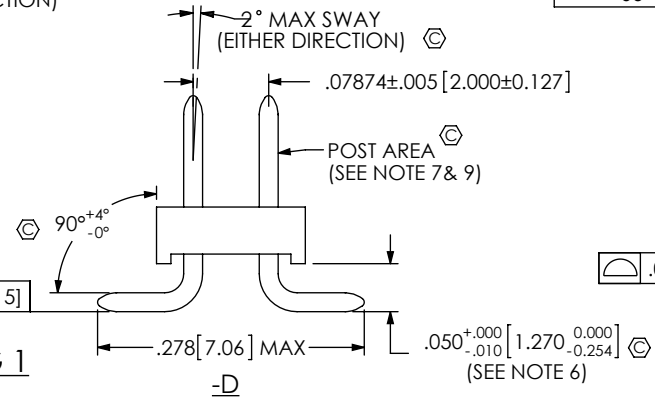
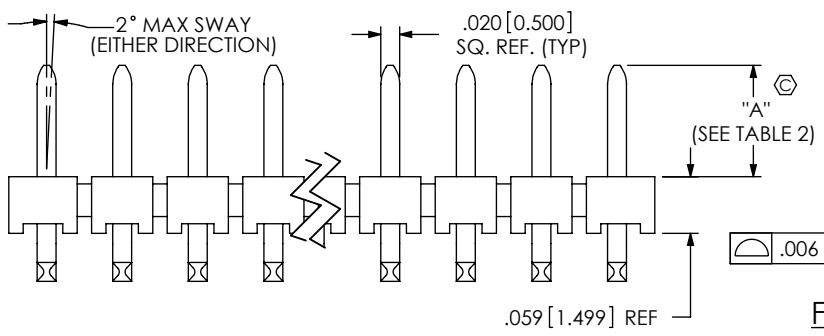


- NO. OF POSITIONS PER ROW  
 -02 THRU -40
- TERMINAL SPEC  
 -01: USE T-1S13-07-X-2  
 -04: USE T-1S13-04-X-2  
 -05: USE T-1S13-21-X-2  
 -06: USE T-1S13-08-X-2 (SEE NOTE 8)
- PLATING SPECIFICATION  
 -G: 20μ" GOLD ON CONTACT AREA, 3μ" GOLD ON TAIL  
 -T: MATTE TIN ON CONTACT AND TAIL  
 -S: 30μ" SELECTIVE GOLD ON CONTACT, MATTE TIN ON TAIL  
 -L: 10μ" SELECTIVE GOLD ON CONTACT, MATTE TIN ON TAIL  
 -F: 3μ" SELECTIVE GOLD ON CONTACT, MATTE TIN ON TAIL  
 -H: 30μ" GOLD ON CONTACT, 3μ" GOLD MIN ON TAIL  
 -SM: 30μ" SELECTIVE GOLD ON CONTACT, MATTE TIN ON TAIL  
 -TM: MATTE TIN ON CONTACT AND TAIL  
 -LM: 10μ" SELECTIVE GOLD ON CONTACT, MATTE TIN ON TAIL  
 -FM: 3μ" SELECTIVE GOLD ON CONTACT, MATTE TIN ON TAIL
- OPTION  
 -P: PICK & PLACE PAD (AVAILABLE ON POSITIONS -03 THRU -40) (SEE SHEET 2, FIG 2)  
 \*-M: METAL PICK & PLACE PAD (SEE SHEET 2, FIG 2) (4 POS. MIN) (-T & -TM PLATING WITH -M OPTION AVAILABLE TO EXISTING CUSTOMERS ONLY AS OF REV BP. DO NOT DESIGN IN)  
 -A: ALIGNMENT PIN (SEE SHEET 2, FIG 3) (5 POS. PER ROW MINIMUM) (NOT AVAILABLE ON SINGLE BODY SPECIFICATION)  
 -TR: TAPE & REEL (AVAILABLE ON POS -03 THRU 36, POS 37 THRU -40 AVAILABLE TO EXISTING CUSTOMERS ONLY) (SEE SHEET 3)
- OPTION  
 POLARIZED SPECIFY POS-XX AS POS TO BE OMITTED
- OPTION  
 -SM: SURFACE MOUNT
- BODY SPECIFICATION  
 -S: SINGLE (TMM-50-S)  
 -D: DOUBLE (TMM-50-D)
- \* FOR EXISTING CUSTOMERS ONLY

PATENT NUMBERS  
 5713755 / 5961339

TABLE 2

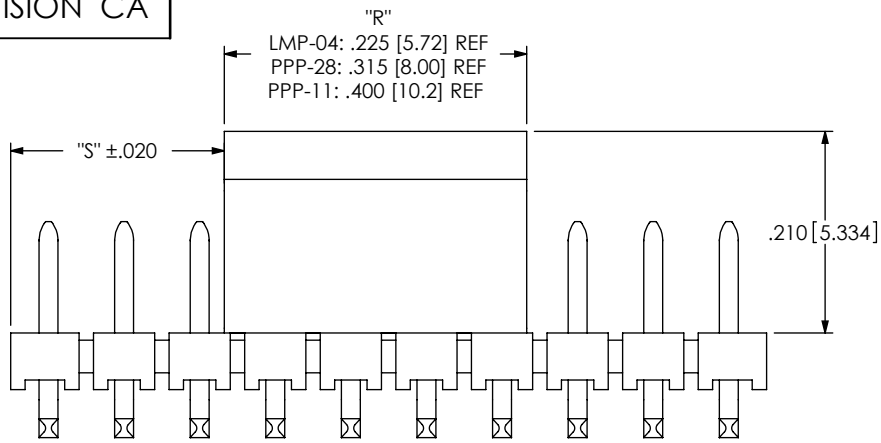
LEAD STYLE	"A" POST	"B" (OAL)	"C"
-01	.126 [3.20]	.302 [7.67]	.100 [2.54]
-04	.075 [1.91]	.255 [6.48]	.100 [2.54]
-05	.065 [1.65]	.323 [8.20]	.080 [2.03]
-06	.168 [4.27]	.476 [12.09]	.100 [2.54]



NOTES:

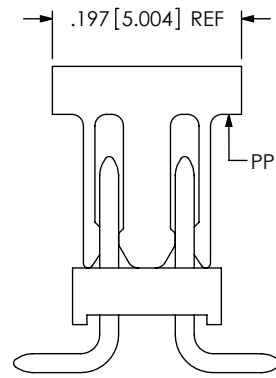
1. © REPRESENTS A CRITICAL DIMENSION.
2. MAX. PIN ROTATION IN BODY: 2°
3. PUSHOUT FORCE SHALL BE 1 lb MIN.
4. ALL DIMENSIONS IN BRACKETS [ ] TO BE MILLIMETERS.
5. PACKAGE POSITIONS 03-40 IN TUBES; LAYER PACKAGE -02 POSITION.
6. .050 [1.27] DIMS TO BE CHECKED AT BEND RADIUS, NOT AT END OF PIN
7. PINS TO BE INSERTED TAIL SIDE FIRST TO AVOID SCRATCHES ON CONTACT
8. SHEAR TAILS FOR -05 & -06 LEAD STYLE
9. NO BANDOLIERS ARE ALLOWED IN THE POST AREA.
10. MAX. CUT FLASH: .010 [2.5]

UNLESS OTHERWISE SPECIFIED, DIMENSIONS ARE IN INCHES. TOLERANCES ARE: DECIMALS ANGLES .XX: ±.01 2° .XXX: ±.005 .XXXX: ±.0020	PROPRIETARY NOTE THIS DOCUMENT CONTAINS INFORMATION CONFIDENTIAL AND PROPRIETARY TO SAMTEC, INC. AND SHALL NOT BE REPRODUCED OR TRANSFERRED TO OTHER DOCUMENTS OR DISCLOSED TO OTHERS OR USED FOR ANY PURPOSE OTHER THAN THAT WHICH IT WAS OBTAINED WITHOUT THE EXPRESSED WRITTEN CONSENT OF SAMTEC, INC.		
		520 PARK EAST BLVD, NEW ALBANY, IN 47150 PHONE: 812-944-6733 FAX: 812-948-5047 e-Mail: info@SAMTEC.com code 53322	
DO NOT SCALE DRAWING SHEET SCALE: 4:1		DESCRIPTION: 2MM TERMINAL STRIP ASSEMBLY	
MATERIAL BODIES: LCP UL 94 VO, COLOR BLACK TERMINALS: PHOSPHOR BRONZE		DWG. NO. <b>TMM-1XX-XX-XX-X-SM-XX-X</b>	
F:\DWG\MISC\MKTG\TMM-1XX-XX-XX-X-SM-XX-X-MKT.SLDDRW		BY: REIDINGER 05-22-1991 SHEET 1 OF 3	

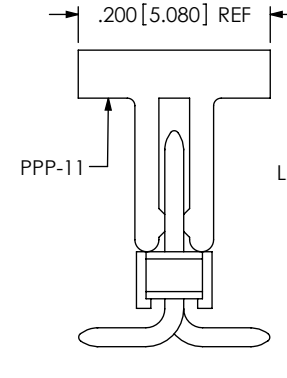


"R" = PAD SIZE ABOVE  
 "S" = ((NO OF POS x .07874) - "R") / 2

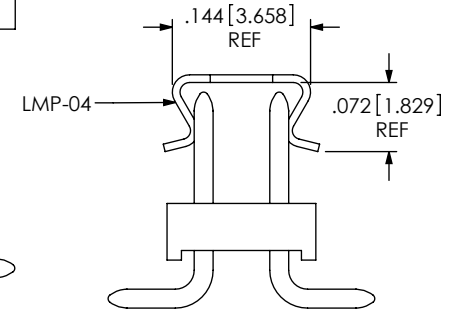
-P: PICK & PLACE PAD



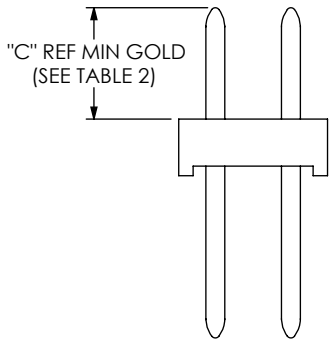
DOUBLE  
 FIG 2



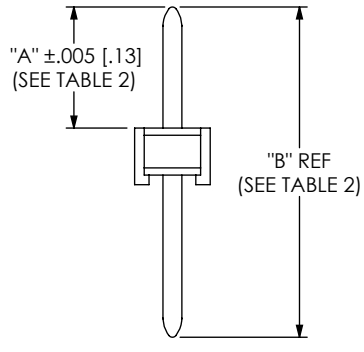
SINGLE



-M: PICK & PLACE PAD  
 DOUBLE ONLY

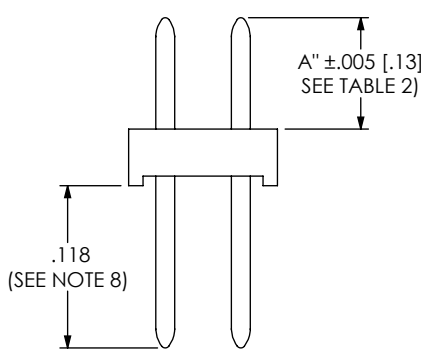


-D

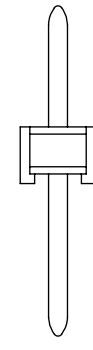


-S

IN-PROCESS 1

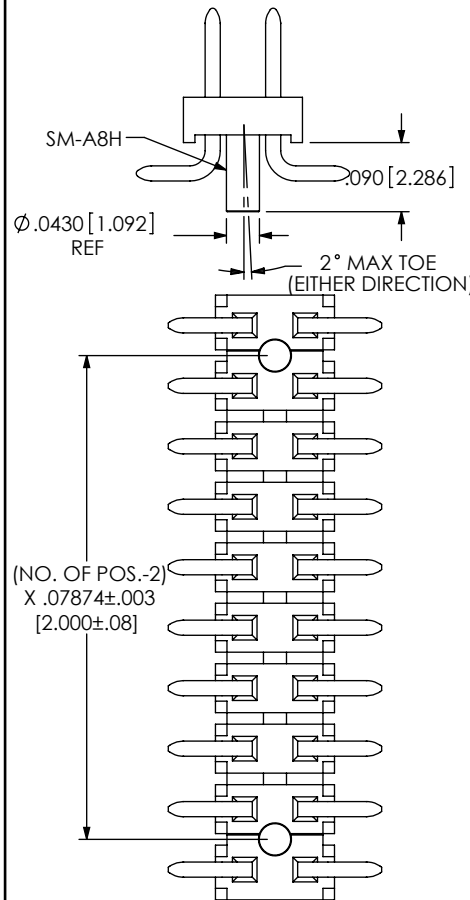


-D



-S

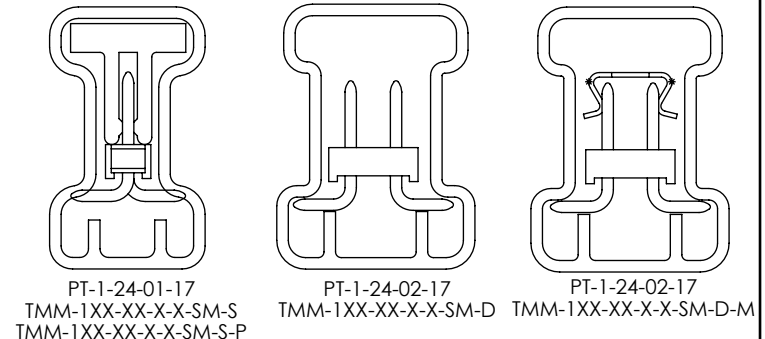
IN-PROCESS 2  
 -05 & -06 LEAD STYLE ONLY



(NO. OF POS.-2)  
 X .07874±.003  
 [2.000±.08]

FIG 3  
 -A: ALIGNMENT PIN  
 (5 POS. PER ROW MINIMUM)

F:\DWG\MISC\MKTG\TMM-1XX-XX-XX-X-SM-XX-X-MKT.SLDDRW



TUBE VIEW

TABLE 1 (SEE NOTE 5)		
OPTION	PKG TUBE	PLUG
-S, -S-P	PT-1-24-01-17	TP-24
-D, -D-A, -D-M, -D-A-M, -D-P, D-A-P	PT-1-24-02-17	TP-09

PROPRIETARY NOTE  
 THIS DOCUMENT CONTAINS INFORMATION CONFIDENTIAL AND PROPRIETARY TO SAMTEC, INC. AND SHALL NOT BE REPRODUCED OR TRANSFERRED TO OTHER DOCUMENTS OR DISCLOSED TO OTHERS OR USED FOR ANY PURPOSE OTHER THAN THAT WHICH IT WAS OBTAINED WITHOUT THE EXPRESSED WRITTEN CONSENT OF SAMTEC, INC.

DO NOT SCALE DRAWING

SHEET SCALE: 4:1

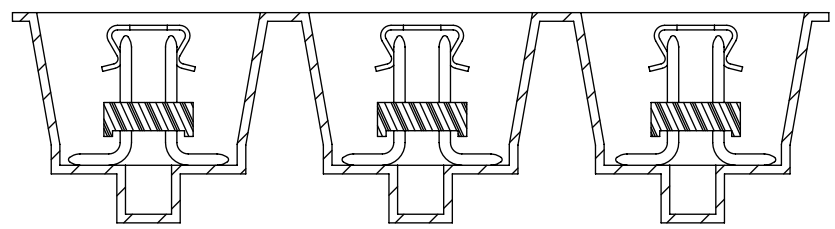
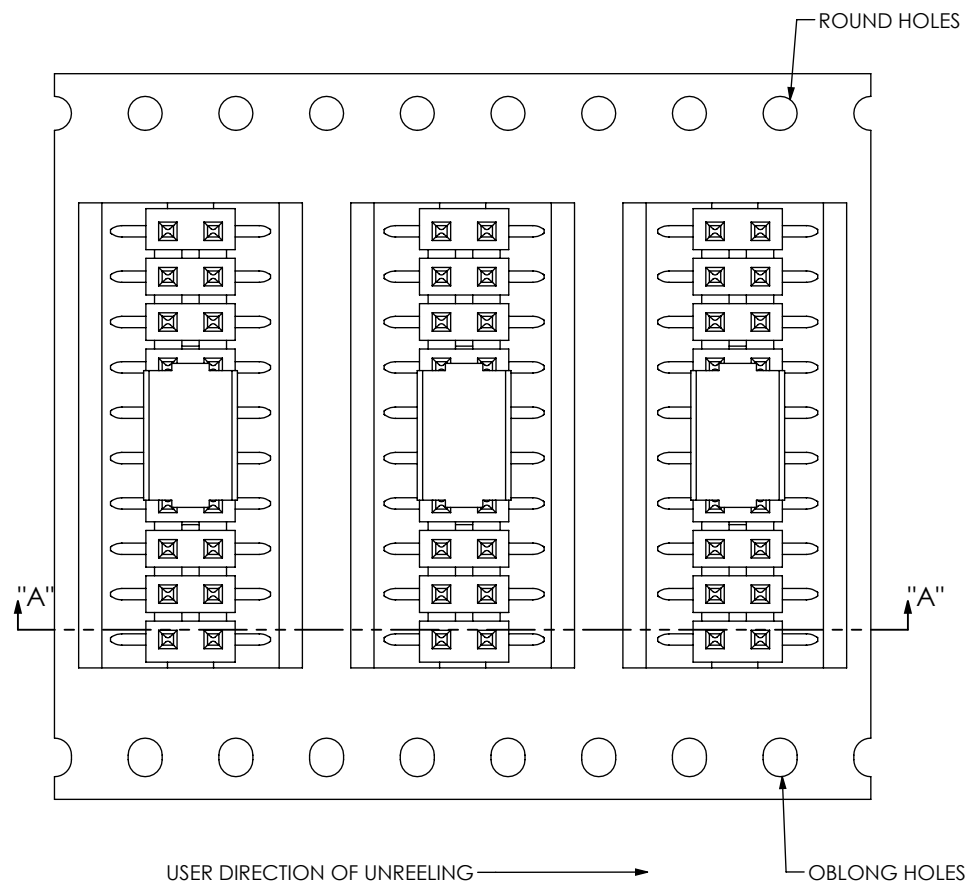


520 PARK EAST BLVD, NEW ALBANY, IN 47150  
 PHONE: 812-944-6733 FAX: 812-948-5047  
 e-Mail info@SAMTEC.com code 55322

DESCRIPTION:  
 2MM TERMINAL STRIP ASSEMBLY

DWG. NO.  
**TMM-1XX-XX-XX-X-SM-XX-X**

BY: REIDINGER 05-22-1991 SHEET 2 OF 3




TAPE AND REEL VIEW

**PROPRIETARY NOTE**  
 THIS DOCUMENT CONTAINS INFORMATION CONFIDENTIAL AND PROPRIETARY TO SAMTEC, INC. AND SHALL NOT BE REPRODUCED OR TRANSFERRED TO OTHER DOCUMENTS OR DISCLOSED TO OTHERS OR USED FOR ANY PURPOSE OTHER THAN THAT WHICH IT WAS OBTAINED WITHOUT THE EXPRESSED WRITTEN CONSENT OF SAMTEC, INC.

DO NOT SCALE DRAWING

SHEET SCALE: 1:1

 <p>520 PARK EAST BLVD, NEW ALBANY, IN 47150                  PHONE: 812-944-6733 FAX: 812-948-5047                  e-Mail: info@SAMTEC.com code 55322</p>	
DESCRIPTION: 2MM TERMINAL STRIP ASSEMBLY	
DWG. NO. TMM-1XX-XX-XX-X-SM-XX-X	
BY: REIDINGER 05-22-1991	SHEET 3 OF 3