



Chipsmall Limited consists of a professional team with an average of over 10 year of expertise in the distribution of electronic components. Based in Hongkong, we have already established firm and mutual-benefit business relationships with customers from,Europe,America and south Asia,supplying obsolete and hard-to-find components to meet their specific needs.

With the principle of “Quality Parts,Customers Priority,Honest Operation,and Considerate Service”,our business mainly focus on the distribution of electronic components. Line cards we deal with include Microchip,ALPS,ROHM,Xilinx,Pulse,ON,Everlight and Freescale. Main products comprise IC,Modules,Potentiometer,IC Socket,Relay,Connector.Our parts cover such applications as commercial,industrial, and automotives areas.

We are looking forward to setting up business relationship with you and hope to provide you with the best service and solution. Let us make a better world for our industry!



Contact us

Tel: +86-755-8981 8866 Fax: +86-755-8427 6832

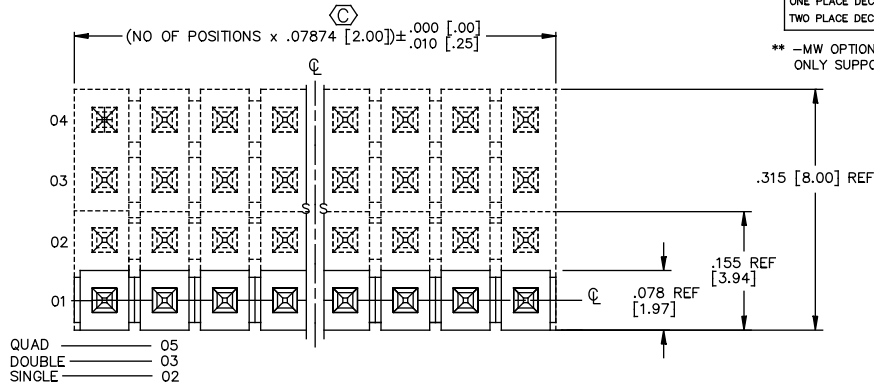
Email & Skype: info@chipsmall.com Web: www.chipsmall.com

Address: A1208, Overseas Decoration Building, #122 Zhenhua RD., Futian, Shenzhen, China



FIG. 1

DIMENSIONS ARE IN INCHES		UNLESS OTHERWISE NOTED		TOLERANCES ARE		TITLE: 2mm TERMINAL STRIP ASSEMBLY	DWG NO: TMM-1XX-XX-XX-X-XX-XXX
ONE PLACE DECIMALS ±.1[2.5]		THREE PLACE DECIMALS ±.005 [.13]		ANGLES ± 2°			
TWO PLACE DECIMALS ±.01[.25]		FOUR PLACE DECIMALS ±.0020[.05]					SHEET 1 OF 2



** -MW OPTION, DO NOT DESIGN IN. SAMTEC WILL ONLY SUPPORT EXISTING BUSINESS 2/05/02.

TMM-1XX-XX-XX-X-XX-XXX
 NO. OF POSITIONS -01 THRU -50
 TERMINAL SPEC SEE TABLE 1

PLATING SPECIFICATION

- G: 20µ" GOLD IN THE CONTACT AREA, 3µ" GOLD ON TAIL
- T: MATTE TIN CONTACT AND TAIL
- S: 30µ" SELECTIVE GOLD IN CONTACT AREA, MATTE TIN ON TAIL
- L: 10µ" GOLD IN THE CONTACT AREA, MATTE TIN ON TAIL
- F: 3µ" FLASH SELECTIVE GOLD IN CONTACT AREA, MATTE TIN ON TAIL
- H: 30µ" HEAVY GOLD IN CONTACT AREA, 3µ" ON TAIL
- SM: 30µ" SELECTIVE GOLD IN CONTACT AREA, MATTE TIN ON TAIL
- TM: MATTE TIN CONTACT AND TAIL
- LM: 10µ" GOLD IN THE CONTACT AREA, MATTE TIN ON TAIL
- FM: 3µ" FLASH SELECTIVE GOLD IN CONTACT AREA, MATTE TIN ON TAIL

- OPTION POLARIZATION SPECIFY POS -XXX AS POS TO BE OMITTED
- OPTION ** -MW: METAL WASHER (-D & -Q BODY SPECS ONLY) (SEE FIG. 2, SHIT. 2) (30 FOS PER ROW MAX) (SEE TABLE 2 PAGE 2)
- RC: RETAINING CLIP FOR IDC USE LTC-09, DOUBLE ROW ONLY, REQUIRES 4 POSITIONS MINIMUM, NOT FOR USE WITH -MW OPTION, SEE NOTES 9 & 10.
- BODY SPECIFICATION
- S: SINGLE (TMM-50-S)
 - D: DOUBLE (TMM-50-D)
 - Q: QUAD (TMM-50-Q)

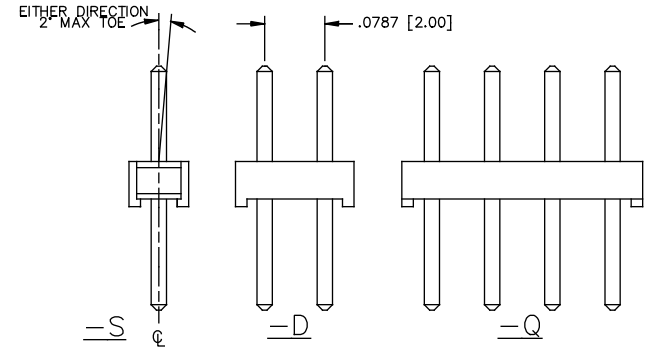
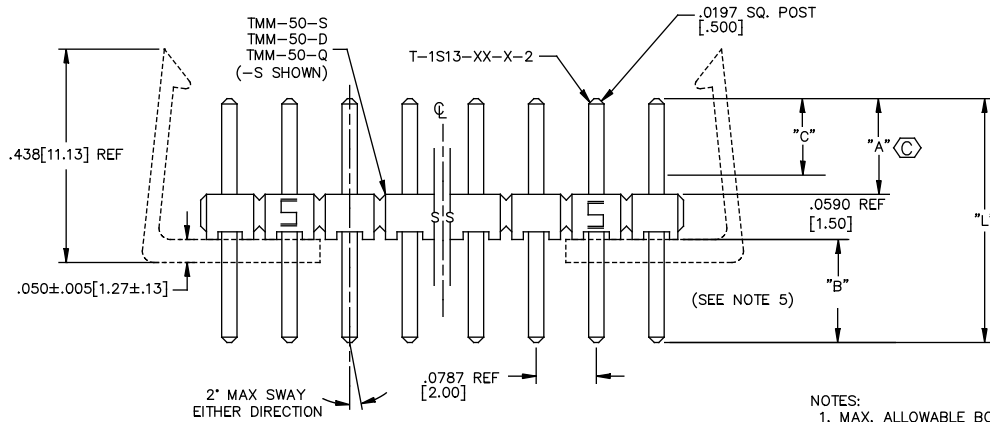


TABLE 1

SUFFIX	TERMINAL	POST "A" IN.[MM]	TAIL "B" IN.[MM]	CONTACT AREA "C" IN.[MM]	STRAIGHT "L" (OVERALL LENGTH)
-01	T-1S13-20-XX-2	.126 [3.20]	.138 [3.50] REF	.100 [2.54] REF	.323 [8.20] REF
-02	T-1S13-20-XX-2	.146 [3.70]	.118 [3.00] REF	.100 [2.54] REF	.323 [8.20] REF
-03	T-1S13-20-XX-2	.158 [4.00]	.106 [2.70] REF	.100 [2.54] REF	.323 [8.20] REF
-04	T-1S13-20-XX-2	.075 [1.90]	.090±.010 [2.29±.25] (SEE NOTE 5)	.100 [2.54] REF	.323 [8.20] REF "BEFORE SHEAR"
-05	T-1S13-21-XX-2	.065 [1.65]	.090±.010 [2.29±.25] (SEE NOTE 5)	.080 [2.03] REF	.323 [8.20] REF "BEFORE SHEAR"
-06	T-1S13-02-XX-2	.126 [3.20]	.192 [4.88] REF	.100 [2.54] REF	.377 [9.58] REF

- NOTES:
- MAX. ALLOWABLE BOW: .005 IN/IN [mm/mm] AFTER ASSEMBLY.
 - MAX. PIN ROTATION IN BODY: 2°
 - PUSHOUT FORCE SHALL BE 1 lb MIN.
 - ⊕ REPRESENTS A CRITICAL DIMENSION.
 - TAIL WILL BE SHEARED ON -04 & -05, REFERENCE TABLE 1.
 - MAX CUT FLASH .010 [.25].
 - MAX SHEAR BURR .003 [.08].
 - ⊗ ORIENTATE PINS TO PREVENT BANDOLIER MARKS FROM SHOWING IN THE POST AREA. (SEE TABLE 3)
 - APPROVED FOR WAVE SOLDER APPLICATION ONLY.
 - RETAINING CLIP FOR -06 LEAD STYLE ONLY.

PROPRIETARY NOTE
 THIS DOCUMENT CONTAINS CONFIDENTIAL AND PROPRIETARY INFORMATION AND ALL RIGHTS ARE RESERVED BY SAMTEC, INC. REPRODUCTION OR TRANSMISSION IN ANY MANNER WITHOUT THE EXPRESS WRITTEN CONSENT OF SAMTEC, INC.

MATERIAL:
 BODIES:
 LIQUID CRYSTAL POLYMER
 COLOR: BLACK
 TERMINALS:
 PHOSPHOR BRONZE, ALLOY

EXISPROD\ASSEMBLY\2MM TMM-ASM

samtec

520 PARK EAST BLVD. NEW ALBANY, INDIANA 47150
 PHONE (812) 944-6733 P.O. BOX 1147
 CODE 55322

MADE BY: REIDINGER 11-2-90

TMM-1XX-XX-XX-X-XX-XXX
 SHEET 1 OF 2