



Chipsmall Limited consists of a professional team with an average of over 10 year of expertise in the distribution of electronic components. Based in Hongkong, we have already established firm and mutual-benefit business relationships with customers from,Europe,America and south Asia,supplying obsolete and hard-to-find components to meet their specific needs.

With the principle of “Quality Parts,Customers Priority,Honest Operation,and Considerate Service”,our business mainly focus on the distribution of electronic components. Line cards we deal with include Microchip,ALPS,ROHM,Xilinx,Pulse,ON,Everlight and Freescale. Main products comprise IC,Modules,Potentiometer,IC Socket,Relay,Connector.Our parts cover such applications as commercial,industrial, and automotives areas.

We are looking forward to setting up business relationship with you and hope to provide you with the best service and solution. Let us make a better world for our industry!



## Contact us

Tel: +86-755-8981 8866 Fax: +86-755-8427 6832

Email & Skype: info@chipsmall.com Web: www.chipsmall.com

Address: A1208, Overseas Decoration Building, #122 Zhenhua RD., Futian, Shenzhen, China



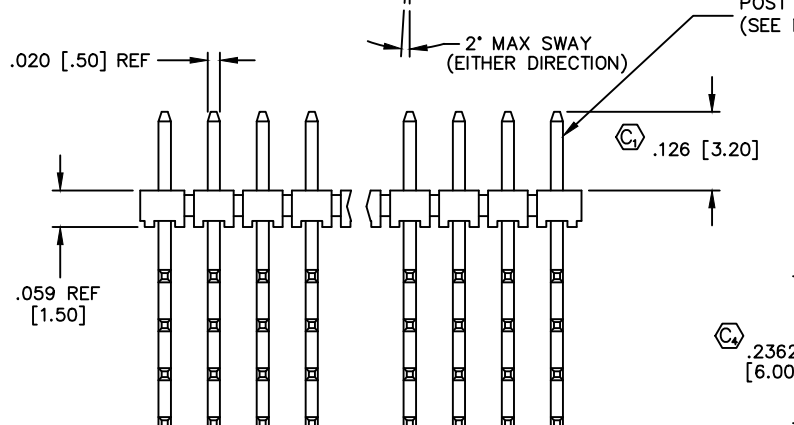
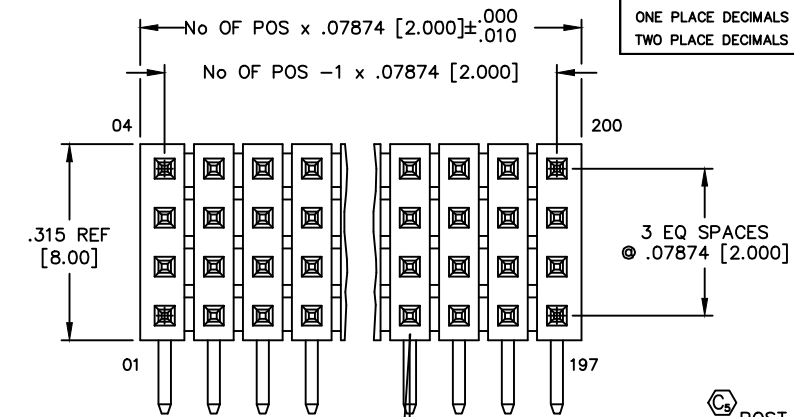
REVISION Q

DO NOT SCALE FROM THIS PRINT

UNLESS OTHERWISE NOTED TOLERANCES ARE: ANGLES  $\pm 2^\circ$

DIMENSIONS ARE IN INCHES ONE PLACE DECIMALS  $\pm .1$  [2.5mm] THREE PLACE DECIMALS  $\pm .005$  [.13mm] TWO PLACE DECIMALS  $\pm .010$  [.25mm] FOUR PLACE DECIMALS  $\pm .0020$  [.05mm]

TITLE: 2mm TERMINAL STRIP ASSEMBLY (R/A) DWG NO: TMM-1XX-XX-XX-Q-RX-XXX SHEET 1 OF 1



TMM-1XX-XX-XX-Q-RX-XXX

No OF POSITIONS -02 THRU -50 (PER ROW)  
 TERMINAL SPEC -01: POST =.126 [3.20]

OPTION POLARIZATION SPECIFY -XXX AS POS TO BE OMITTED  
 OPTION -RA: RIGHT ANGLE -RE: EXTENDED RIGHT ANGLE

PLATING SPECIFICATION  
 -G: GOLD (SPECIFY -G IN TERMINAL SUFFIX -X)  
 -T: TIN (SPECIFY -T IN TERMINAL SUFFIX -X)  
 -S: SELECTIVE GOLD (SPECIFY -S IN TERMINAL SUFFIX -X)  
 -L: LIGHT SELECTIVE GOLD (SPECIFY -L IN TERMINAL SUFFIX -X)  
 -F: FLASH GOLD (SPECIFY -F IN TERMINAL SUFFIX -X)  
 -H: HEAVY GOLD (SPECIFY -H IN TERMINAL SUFFIX -X)  
 -TM: MATTE TIN (SPECIFY -T IN TERMINAL SUFFIX -X)  
 -LM: LIGHT SELECTIVE GOLD/MATTE TIN TAIL (SPECIFY -L IN TERMINAL SUFFIX -X)  
 -FM: FLASH GOLD/MATTE TIN TAIL (SPECIFY -F IN TERMINAL SUFFIX -X)  
 -SM: SELECTIVE GOLD/MATTE TIN TAIL (SPECIFY -S IN TERMINAL SUFFIX -X)

BODY SPECIFICATION  
 -Q: QUAD (USE TMM-XX-Q)

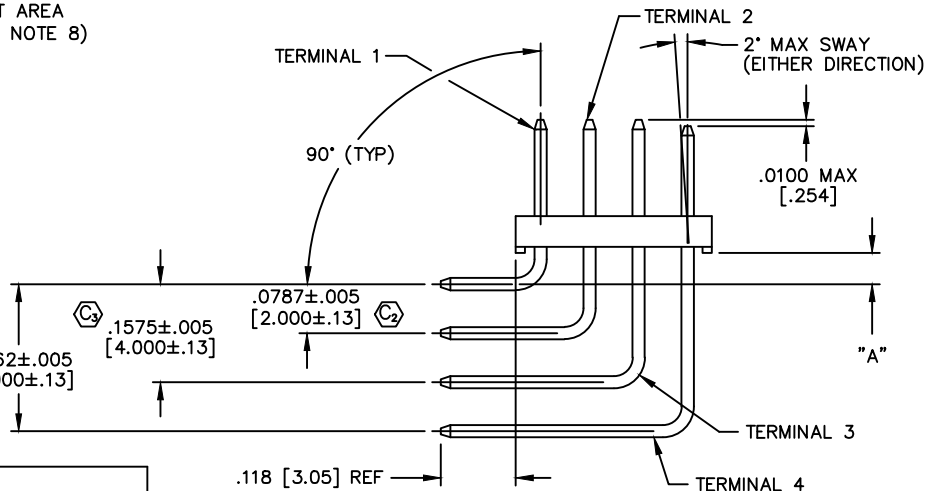


TABLE 1

OPTION	"A"	TERMINAL 1	TERMINAL 2	TERMINAL 3	TERMINAL 4
-RA	.05 [1.3]	T-1S13-02-X-2	T-1S13-03-X-2	T-1S13-17-X-2	T-1S13-18-X-2
-RE	.14 [3.6]	T-1S13-13-X-2	T-1S13-14-X-2	T-1S13-23-X-2	T-1S13-24-X-2

- NOTES:
- 1.) MAX. ALLOWABLE BOW: .005 IN/IN AFTER ASSEMBLY.
  - 2.) MAX. PIN ROTATION IN BODY: 2°
  - 3.) PUSHOUT FORCE SHALL BE 1 lb MIN.
  - 4.)  $\text{\textcircled{C}}$  REPRESENTS A CRITICAL DIMENSION FOR STATISTICAL PROCESS CONTROL USE.
  - 5.) ALL DIMENSIONS IN BRACKETS [ ] TO BE MILLIMETERS.
  - 6.) CENTER PLUG IN OPENING OF TUBE AS SHOWN.
  - 7.) POSITION 2-4 SHOULD BE LAYER PACKAGED, 5-50 TO BE TUBED.
  - 8.) NO BANDOLIER MARKS ARE ALLOWED IN THE POST AREA.
  - 9.) MAX. CUT FLASH .010.

PACKAGING VIEWS

SCALE: .5x

(SEE NOTE 7.)

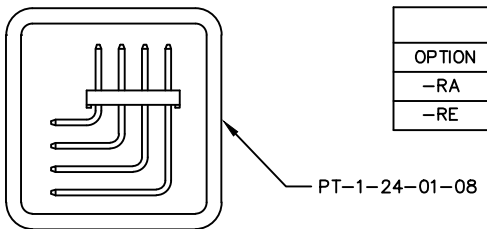
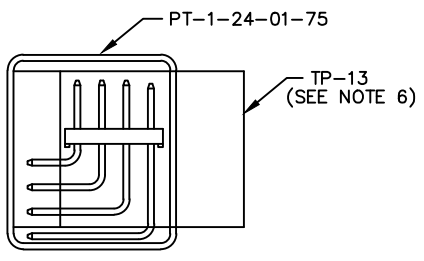


TABLE 2

OPTION	PACKAGING TUBE	PLUG
-RA	PT-1-24-01-08	TP-13
-RE	PT-1-24-01-75	TP-13

**PROPRIETARY NOTE**  
 THIS DOCUMENT CONTAINS INFORMATION CONFIDENTIAL AND PROPRIETARY TO SAMTEC INC. AND SHALL NOT BE REPRODUCED OR TRANSMITTED TO OTHER DOCUMENTS OR DISCLOSED TO OTHERS OR USED FOR ANY PURPOSE OTHER THAN THAT FOR WHICH IT WAS OBTAINED WITHOUT THE EXPRESSED WRITTEN CONSENT OF SAMTEC INC.



EXISPROD\ASSEMBLY\2MM TMM-Q-RX  
 520 PARK EAST BLVD. NEW ALBANY, INDIANA 47150  
 PHONE (812) 944-6733 P.O. BOX 1147  
 CODE 55322