



Chipsmall Limited consists of a professional team with an average of over 10 year of expertise in the distribution of electronic components. Based in Hongkong, we have already established firm and mutual-benefit business relationships with customers from,Europe,America and south Asia,supplying obsolete and hard-to-find components to meet their specific needs.

With the principle of “Quality Parts,Customers Priority,Honest Operation,and Considerate Service”,our business mainly focus on the distribution of electronic components. Line cards we deal with include Microchip,ALPS,ROHM,Xilinx,Pulse,ON,Everlight and Freescale. Main products comprise IC,Modules,Potentiometer,IC Socket,Relay,Connector.Our parts cover such applications as commercial,industrial, and automotives areas.

We are looking forward to setting up business relationship with you and hope to provide you with the best service and solution. Let us make a better world for our industry!



Contact us

Tel: +86-755-8981 8866 Fax: +86-755-8427 6832

Email & Skype: info@chipsmall.com Web: www.chipsmall.com

Address: A1208, Overseas Decoration Building, #122 Zhenhua RD., Futian, Shenzhen, China



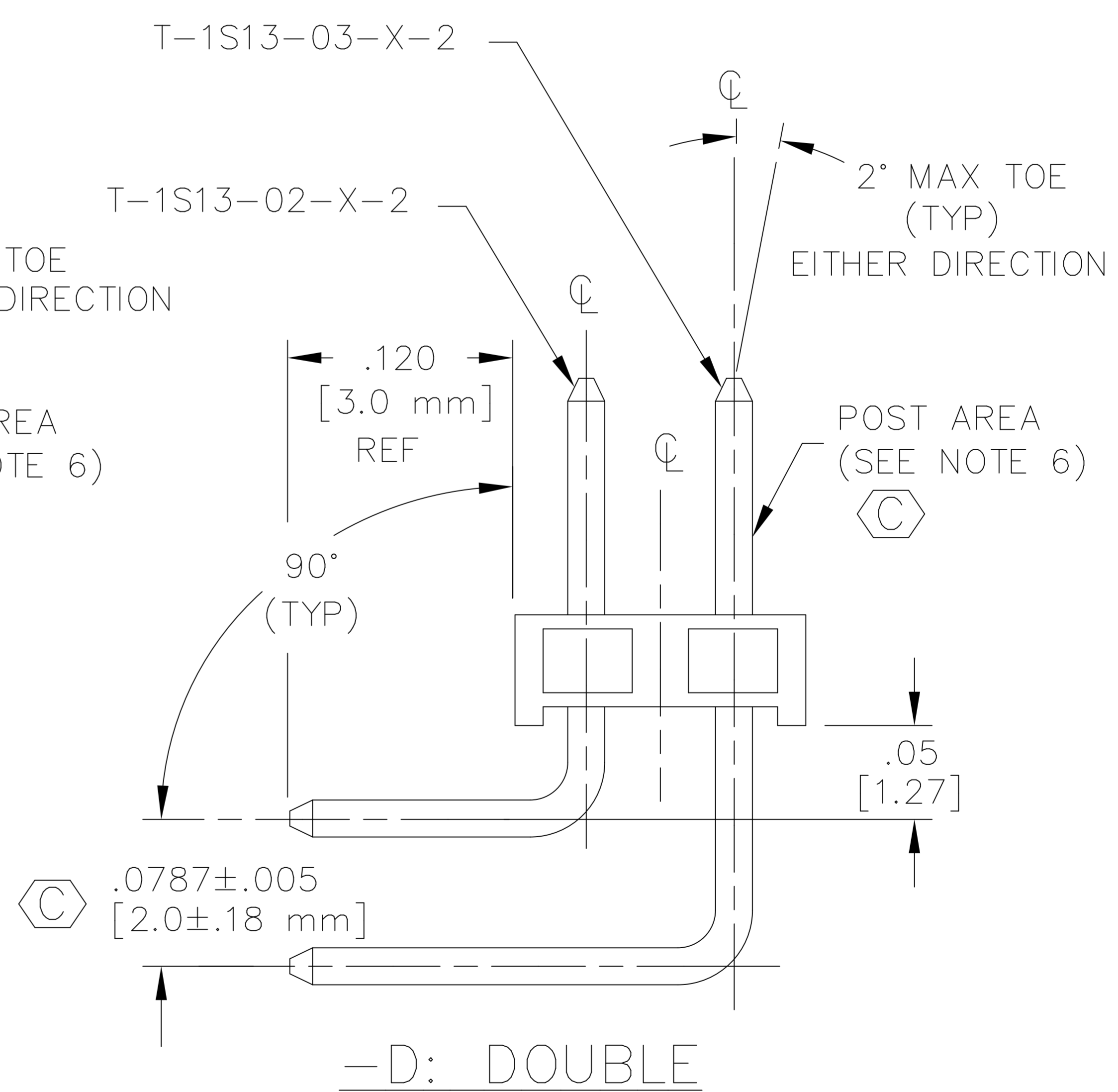
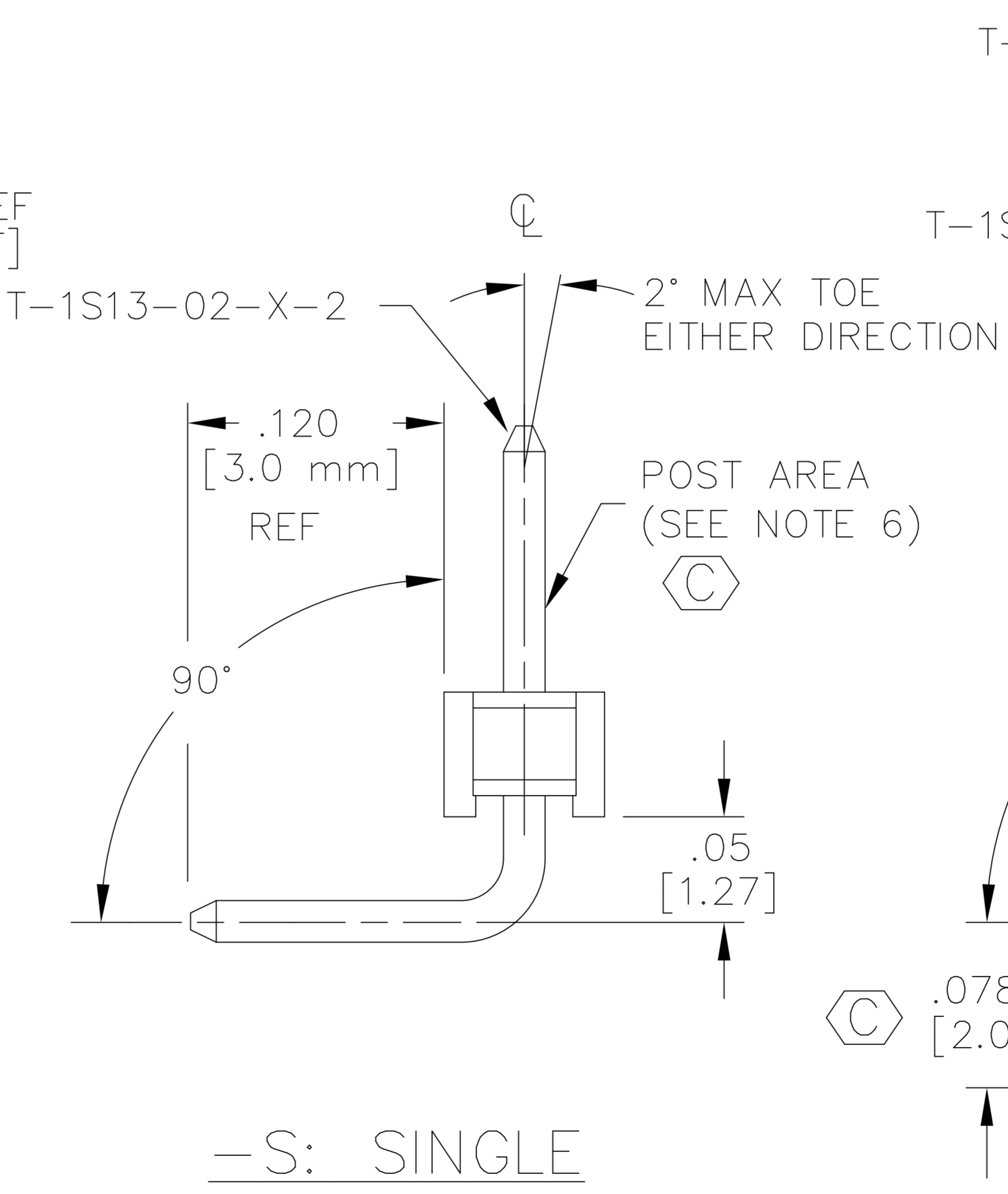
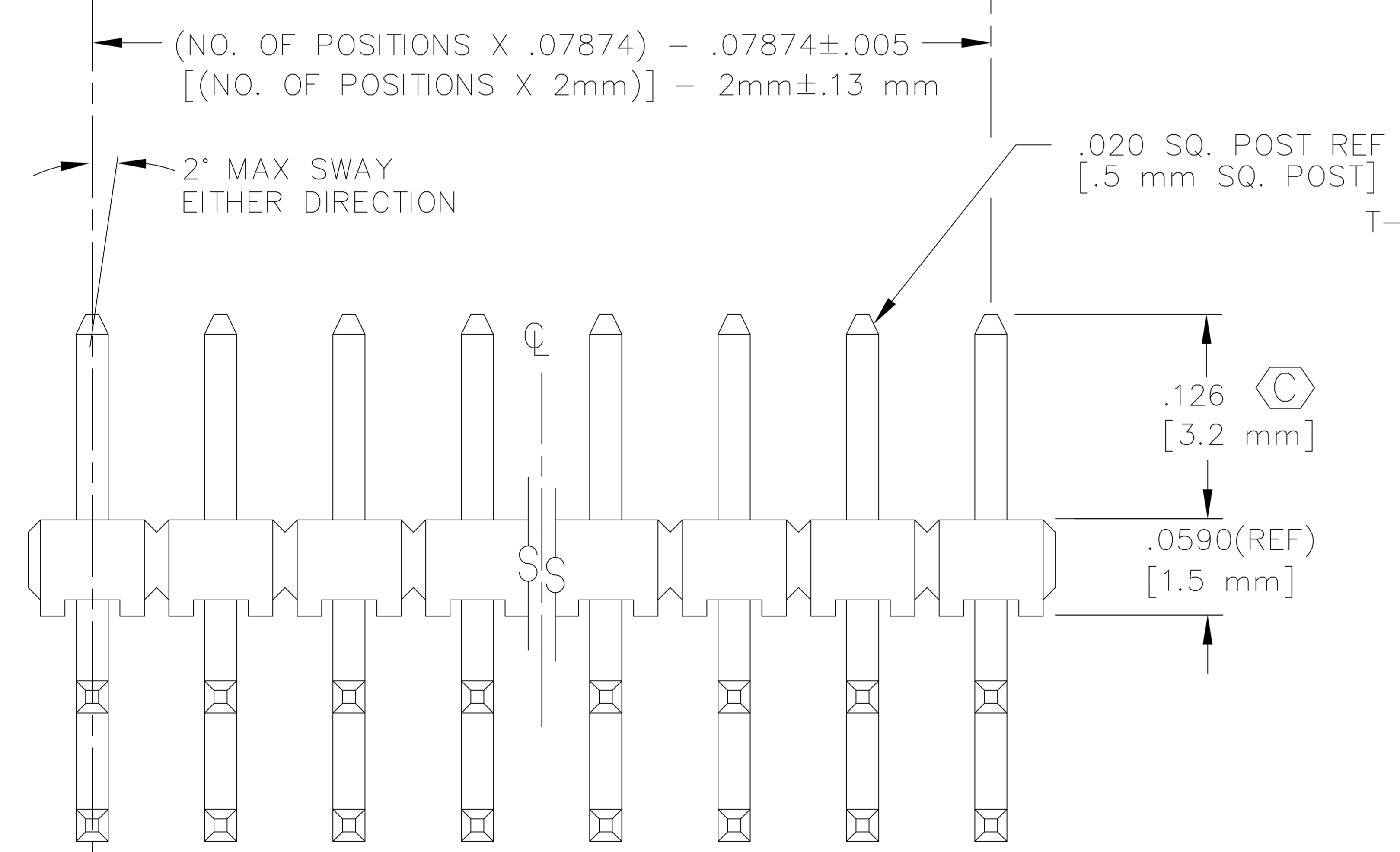
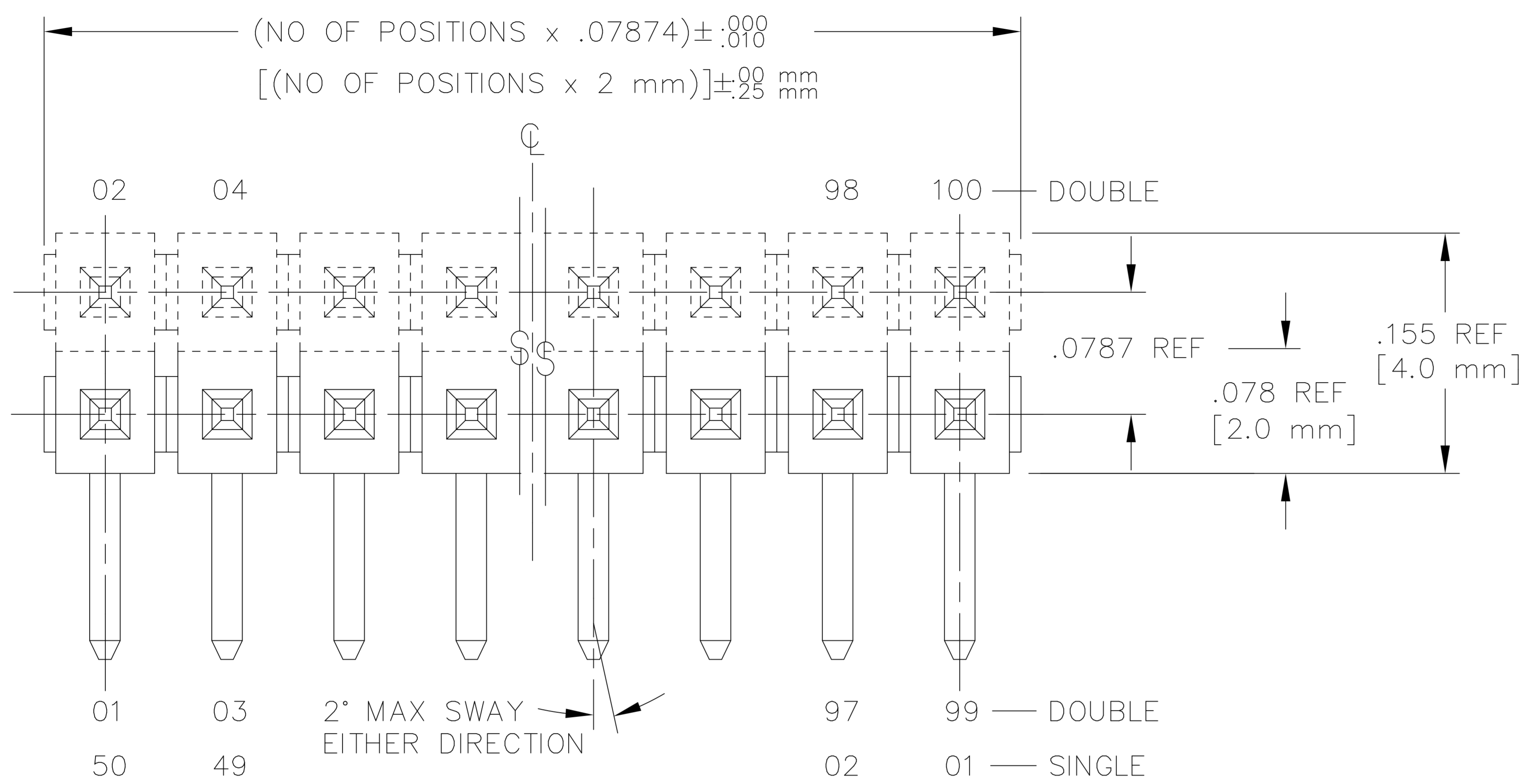
DO NOT SCALE FROM THIS PRINT

UNLESS OTHERWISE NOTED
 DIMENSIONS ARE IN INCHES TOLERANCES ARE:
 ONE PLACE DECIMALS ± .1 [2.5mm] THREE PLACE DECIMALS ± .005 [.13mm]
 TWO PLACE DECIMALS ± .010 [.25mm] FOUR PLACE DECIMALS ± .0020 [.05mm]

TITLE: 2mm TERMINAL STRIP ASSEMBLY (R/A)
 DWG NO: TMM-1XX-XX-XX-X-RA-XXX
 SHEET 1 OF 1

TMM-1XX-XX-XX-X-RA-XXX
 NO. OF POSITIONS PER ROW ———
 -01 THRU -50
 OPTION POLARIZATION SPECIFY POS -XXX AS POS TO BE OMITTED
 OPTION -RA: RIGHT ANGLE
 BODY SPECIFICATION -S: SINGLE (TMM-50-S) -D: DOUBLE (TMM-50-D)
 TERMINAL SPEC -01: USE T-1S13-XX-X-2

PLATING SPECIFICATION
 -G: 10μ" IN CONTACT AREA, 10μ" GOLD ON TAIL
 -T: MATTE TIN CONTACT AND TAIL
 -S: 30μ" SELECTIVE GOLD IN CONTACT AREA, MATTE TIN ON TAIL
 -L: 10μ" LIGHT SELECTIVE GOLD IN CONTACT AREA, MATTE TIN ON TAIL
 -F: 3μ" FLASH SELECTIVE GOLD IN CONTACT AREA, MATTE TIN ON TAIL
 -H: 30μ" HEAVY GOLD IN CONTACT AREA, 3μ" GOLD ON TAIL
 -TM: MATTE TIN CONTACT AND TAIL
 -LM: 10μ" LIGHT SELECTIVE GOLD IN CONTACT AREA, MATTE TIN ON TAIL
 -FM: 3μ" FLASH SELECTIVE GOLD IN CONTACT AREA, MATTE TIN ON TAIL
 -SM: 30μ" SELECTIVE GOLD IN CONTACT AREA, MATTE TIN ON TAIL



- NOTES:
1. MAX. ALLOWABLE BOW: .005 IN/IN AFTER ASSEMBLY.
 2. MAX. PIN ROTATION IN BODY: 2°
 3. PUSHOUT FORCE SHALL BE 1 lb MIN.
 4. Ⓢ REPRESENTS A CRITICAL DIMENSION FOR STATISTICAL PROCESS CONTROL USE.
 5. ALL DIMENSIONS IN BRACKETS [] TO BE MILLIMETERS.
 6. NO BANDOLIER MARKS ARE ALLOWED IN THE POST AREA.
 7. MAX CUT FLASH: .010 [.25]
 8. PIN NOT ALLOWED TO FILL FROM TAIL SIDE. PIN TO BE FILLED FROM POST SIDE.

PROPRIETARY NOTE
 THIS DOCUMENT CONTAINS INFORMATION CONFIDENTIAL AND PROPRIETARY TO SAMTEC INC. AND SHALL NOT BE REPRODUCED OR TRANSFERRED TO OTHER DOCUMENTS OR DISCLOSED TO OTHERS OR USED FOR ANY PURPOSE OTHER THAN THAT FOR WHICH IT WAS OBTAINED WITHOUT THE EXPRESSED WRITTEN CONSENT OF SAMTEC INC.

EXISPROD\ASSEMBLY\2mm TMM-RA

samtec

520 PARK EAST BLVD. NEW ALBANY, INDIANA 47150
 PHONE (812) 944-6733 P.O. BOX 1147
 CODE 55322

MADE BY: REIDINGER 5-22-91
 CHECKED BY: McCARTIN
 ENG. APPROVAL: DEM
 TMM-1XX-XX-XX-X-RA-XXX
 SHEET 1 OF 1