



Chipsmall Limited consists of a professional team with an average of over 10 year of expertise in the distribution of electronic components. Based in Hongkong, we have already established firm and mutual-benefit business relationships with customers from,Europe,America and south Asia,supplying obsolete and hard-to-find components to meet their specific needs.

With the principle of “Quality Parts,Customers Priority,Honest Operation,and Considerate Service”,our business mainly focus on the distribution of electronic components. Line cards we deal with include Microchip,ALPS,ROHM,Xilinx,Pulse,ON,Everlight and Freescale. Main products comprise IC,Modules,Potentiometer,IC Socket,Relay,Connector.Our parts cover such applications as commercial,industrial, and automotives areas.

We are looking forward to setting up business relationship with you and hope to provide you with the best service and solution. Let us make a better world for our industry!



Contact us

Tel: +86-755-8981 8866 Fax: +86-755-8427 6832

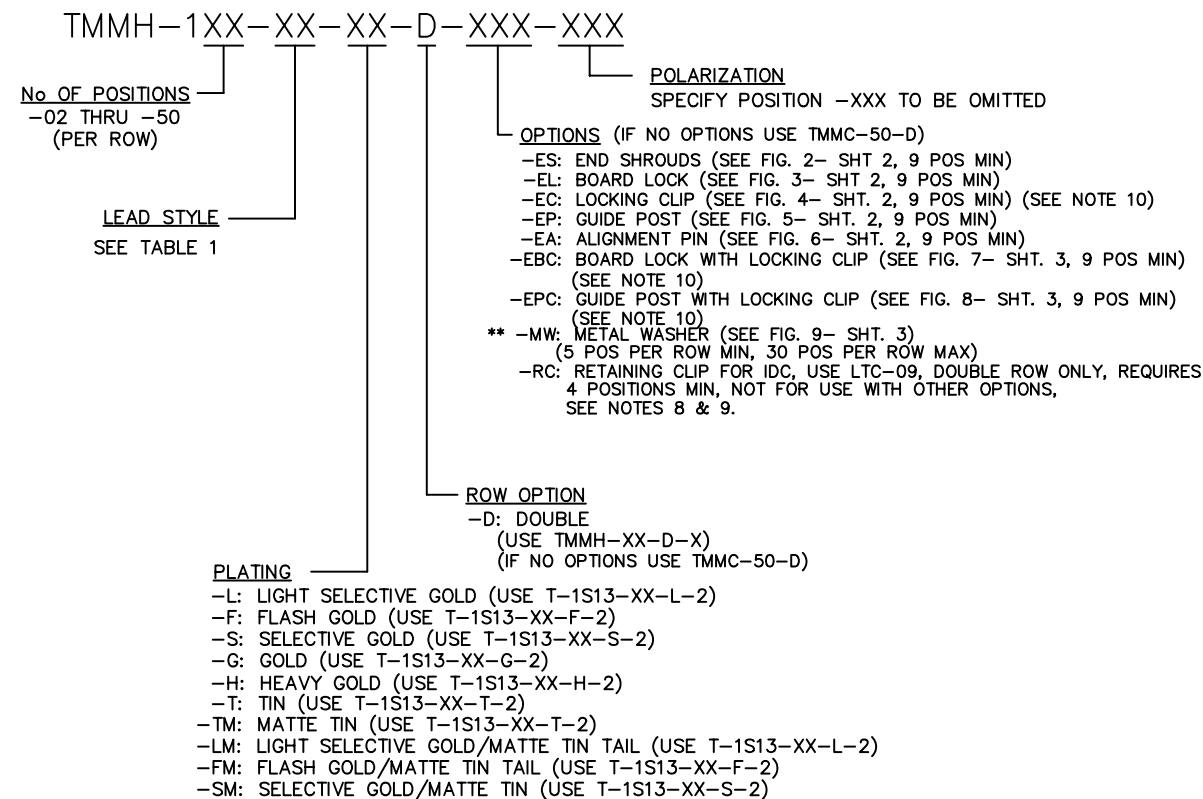
Email & Skype: info@chipsmall.com Web: www.chipsmall.com

Address: A1208, Overseas Decoration Building, #122 Zhenhua RD., Futian, Shenzhen, China

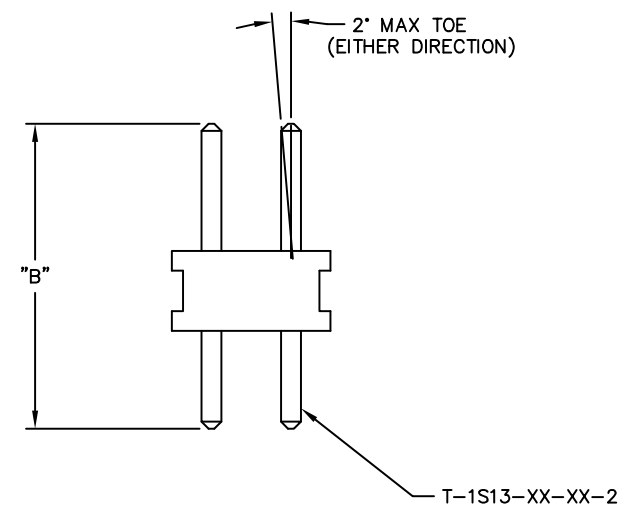
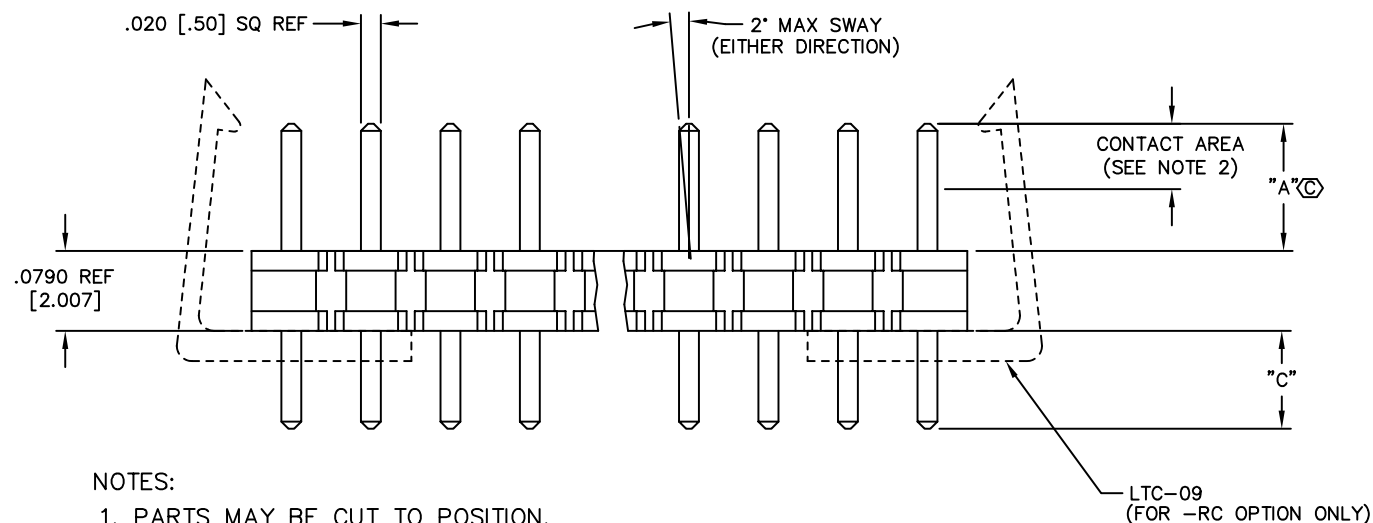
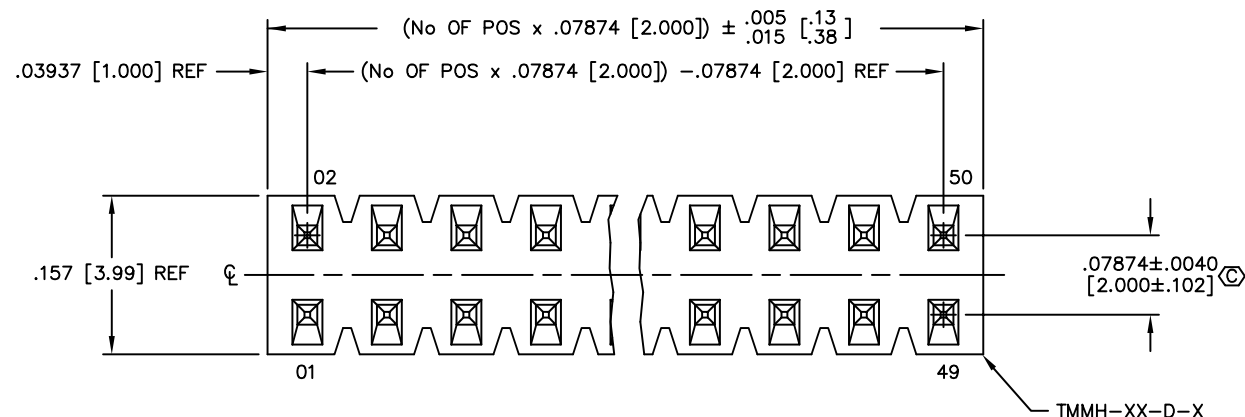


TABLE 1				
LEAD STYLE	"A"	"B"	TERMINAL	"C"
-01	.126 [3.20]	.302 [7.67]	T-1S13-07-XX-2	.097 [2.46] REF
-04	.075 [1.91]	.255 [6.48]	T-1S13-04-XX-2	.101 [2.57] REF
* -05	.065 [1.65]	.234 [5.94] REF	T-1S13-07-XX-2	.090 [2.29]
-21	.126 [3.20]	.255 [6.48]	T-1S13-04-XX-2	.050 [1.27] REF
-22	.075 [1.91]	.204 [5.18]	T-1S13-25-XX-2	.050 [1.27] REF
-06	.126 [3.20]	.344 [8.74]	T-1S13-31-XX-2	.139 [3.53] REF

* SEE NOTE 5



** -MW OPTION, DO NOT DESIGN IN. SAMTEC WILL ONLY SUPPORT EXISTING BUSINESS 2/05/02.



NOTES:

- PARTS MAY BE CUT TO POSITION.
- GOLD PLATING TO BE ON POST, TIN PLATING ON TAIL.
- Ⓢ REPRESENTS A CRITICAL DIMENSION.
- MINIMUM PUSHOUT FORCE: 1.0 LB.
- MUST SHEAR TO DIMENSION SHOWN.
- NOTE DELETED
- MAX CUT FLASH: .020 [.51]
- WAVE SOLDER APPLICATION ONLY.
- RETAINING CLIP FOR -06 LEAD STYLE ONLY.
- DUE TO THE HIGH AMOUNT OF INSERTION FORCE NEEDED, THE -LC OPTION IS NOT COMPATIBLE WITH AUTO PLACEMENT. SAMTEC RECOMMENDS MANUAL PLACEMENT FOR ALL ASSEMBLIES WITH THE -EC, -EBC, AND -EPC OPTION.

FIG. 1

PROPRIETARY NOTE
 THIS DOCUMENT CONTAINS INFORMATION CONFIDENTIAL AND PROPRIETARY TO SAMTEC INC. AND SHALL NOT BE REPRODUCED OR TRANSFERRED TO OTHER DOCUMENTS OR DISCLOSED TO OTHERS OR USED FOR ANY PURPOSE OTHER THAN THAT FOR WHICH IT WAS OBTAINED WITHOUT THE EXPRESSED WRITTEN CONSENT OF SAMTEC INC.

MATERIAL: BLACK, LCP	<p>520 PARK EAST BLVD. NEW ALBANY, INDIANA 47150 PHONE (812) 944-6733 P.O. BOX 1147 CODE 55322</p>	EXISPROD\ASSEMBLY\2MM TMMH-TH
TERMINAL: PHOSPHOR BRONZE		MADE BY: PURVIS 12-17-96

This document was created with Win2PDF available at <http://www.daneprairie.com>.
The unregistered version of Win2PDF is for evaluation or non-commercial use only.