



Chipsmall Limited consists of a professional team with an average of over 10 year of expertise in the distribution of electronic components. Based in Hongkong, we have already established firm and mutual-benefit business relationships with customers from,Europe,America and south Asia,supplying obsolete and hard-to-find components to meet their specific needs.

With the principle of “Quality Parts,Customers Priority,Honest Operation,and Considerate Service”,our business mainly focus on the distribution of electronic components. Line cards we deal with include Microchip,ALPS,ROHM,Xilinx,Pulse,ON,Everlight and Freescale. Main products comprise IC,Modules,Potentiometer,IC Socket,Relay,Connector.Our parts cover such applications as commercial,industrial, and automotives areas.

We are looking forward to setting up business relationship with you and hope to provide you with the best service and solution. Let us make a better world for our industry!



## Contact us

Tel: +86-755-8981 8866 Fax: +86-755-8427 6832

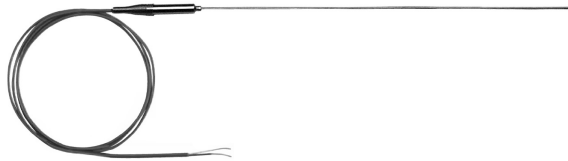
Email & Skype: info@chipsmall.com Web: www.chipsmall.com

Address: A1208, Overseas Decoration Building, #122 Zhenhua RD., Futian, Shenzhen, China



## TRANSITION JOINT PROBES AND ACCESSORIES

### MODEL TMP - TRANSITION JOINT PROBES



- CHOICE OF 304 SS, INCONEL 600 OR XL SHEATH
- STRIPPED BARE WIRE ENDS
- XL HIGH TEMPERATURE PROBE AVAILABLE
- EASILY ATTACHES TO STANDARD AND MINI STYLE CONNECTORS (SEE ACCESSORIES)
- MEETS OR EXCEEDS SLE AND EN 60584-2: TOLERANCE CLASS 1

### GENERAL DESCRIPTION

Model TMPTJ transition joint probes are rugged temperature probes that feature a spring strain relief at the “cold” end of the probe that prevents pinching of the thermocouple wire that can occur in certain applications. These versatile probes come in a variety of sheath diameters and materials. The probes are standard 12" long transitioning to 40" of wire with exposed leads.

### SPECIFICATIONS

1. **SHEATH:** Constructed of 304 stainless steel, Inconel 600, or XL (High Temperature Probe)
2. **SHEATH DIAMETER:** 1/16" or 1/8"
3. **PROBE LENGTH:** 12" Ungrounded junction.
4. **CONNECTOR BODY:** Glass Filled Nylon, rated to 260 °C.
5. **WIRE INSULATION:** Neoflon PFA
6. **LEAD LENGTH:** 40" (1 meter) with stripped ends

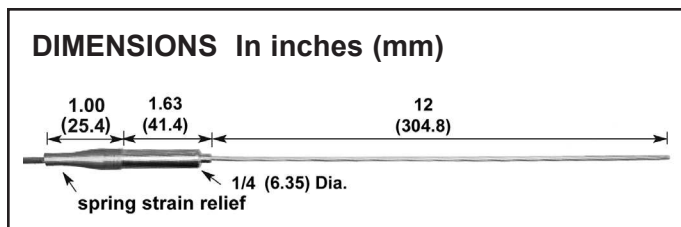
### ORDERING INFORMATION

DESCRIPTION	ANSI TYPE TC	SHEATH MATERIAL	SHEATH DIAMETER INCHES	UPPER TEMP GUIDELINES °C (°F) TC JUNCTION	PART NUMBER
TRANSITION JOINT PROBES	K	INCONEL 600	1/16	921 (1690)	TMPKTJ01
	K	INCONEL 600	1/8	1071 (1960)	TMPKTJ02
	K	304 SS	1/16	899 (1650)	TMPKTJ03
	K	304 SS	1/8	899 (1650)	TMPKTJ04
	K	XL	1/8	1038 (1900)	TMPKTJ05
	K	XL	1/16	1149 (2100)	TMPKTJ06

\* XL probes have a very low drift and are for use in high temperature applications up to 1335 °C.



Do not dispose of unit in trash - Recycle



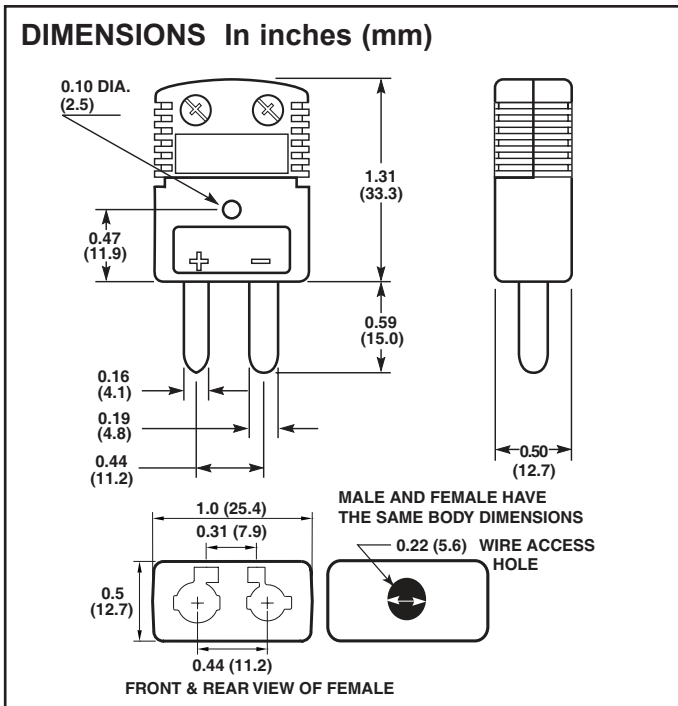
Note: Probe supplied with 1M (40") cable

# ACCESSORIES

## MODEL TMPCN - QUICK DISCONNECT STANDARD CONNECTORS

### GENERAL DESCRIPTION

Standard Connectors are for use with the Standard Quick Disconnect TC Probes. They are available in both male and female termination, and include a "write on label" for easy identification. The female standard connector is a universal connector, meaning it can be used to terminate male versions of both the standard and miniature connector.



### SPECIFICATIONS

1. **CONNECTOR BODY MATERIAL:** Glass Filled Nylon, for temperature ranges of -29 to 220° C. (-20 to 428 °F)
2. **CONNECTOR BODY COLOR:** ANSI color coded
3. **WIRE GAGE:** Accepts stranded or solid wire up to 14 AWG
4. **WIRE TERMINATION:** Combination Phillips/Slot Screws

### ORDERING INFORMATION

DESCRIPTION	TYPE	TERMINATION	PART NUMBER
STANDARD CONNECTOR	K	MALE	TMPCNS01
		FEMALE	TMPCNS02
	T	MALE	TMPCNS03
		FEMALE	TMPCNS04
	E	MALE	TMPCNS05
		FEMALE	TMPCNS06
	J	MALE	TMPCNS07
		FEMALE	TMPCNS08

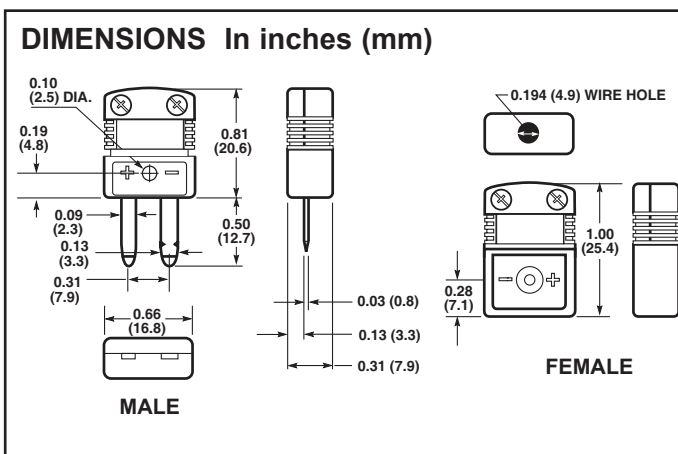


Do not dispose of unit in trash - Recycle

## MODEL TMPCN - QUICK DISCONNECT MINIATURE CONNECTORS

### GENERAL DESCRIPTION

Miniature Connectors are for use with the Miniature Quick Disconnect TC Probes. They are available in both male and female termination, and include a "write on label" for easy identification.



### SPECIFICATIONS

1. **CONNECTOR BODY MATERIAL:** Glass Filled Nylon, for temperature ranges of -29 to 220° C. (-20 to 428 °F)
2. **CONNECTOR BODY COLOR:** ANSI color coded
3. **WIRE GAGE:** Accepts stranded or solid wire up to 20 AWG
4. **WIRE TERMINATION:** Combination Phillips/Slot Screws

### ORDERING INFORMATION

DESCRIPTION	TYPE	TERMINATION	PART NUMBER
MINIATURE CONNECTOR	K	MALE	TMPCNM01
		FEMALE	TMPCNM02
	T	MALE	TMPCNM03
		FEMALE	TMPCNM04
	E	MALE	TMPCNM05
		FEMALE	TMPCNM06
	J	MALE	TMPCNM07
		FEMALE	TMPCNM08



Do not dispose of unit in trash - Recycle