



Chipsmall Limited consists of a professional team with an average of over 10 year of expertise in the distribution of electronic components. Based in Hongkong, we have already established firm and mutual-benefit business relationships with customers from,Europe,America and south Asia,supplying obsolete and hard-to-find components to meet their specific needs.

With the principle of “Quality Parts,Customers Priority,Honest Operation,and Considerate Service”,our business mainly focus on the distribution of electronic components. Line cards we deal with include Microchip,ALPS,ROHM,Xilinx,Pulse,ON,Everlight and Freescale. Main products comprise IC,Modules,Potentiometer,IC Socket,Relay,Connector.Our parts cover such applications as commercial,industrial, and automotives areas.

We are looking forward to setting up business relationship with you and hope to provide you with the best service and solution. Let us make a better world for our industry!



Contact us

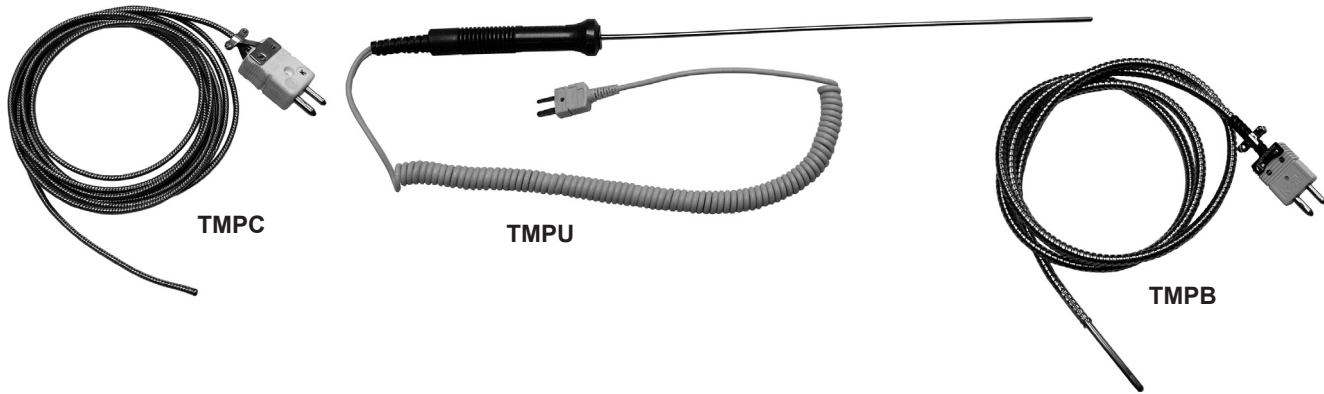
Tel: +86-755-8981 8866 Fax: +86-755-8427 6832

Email & Skype: info@chipsmall.com Web: www.chipsmall.com

Address: A1208, Overseas Decoration Building, #122 Zhenhua RD., Futian, Shenzhen, China



MODELS TMPC, TMPU, & TMPB THERMOCOUPLES

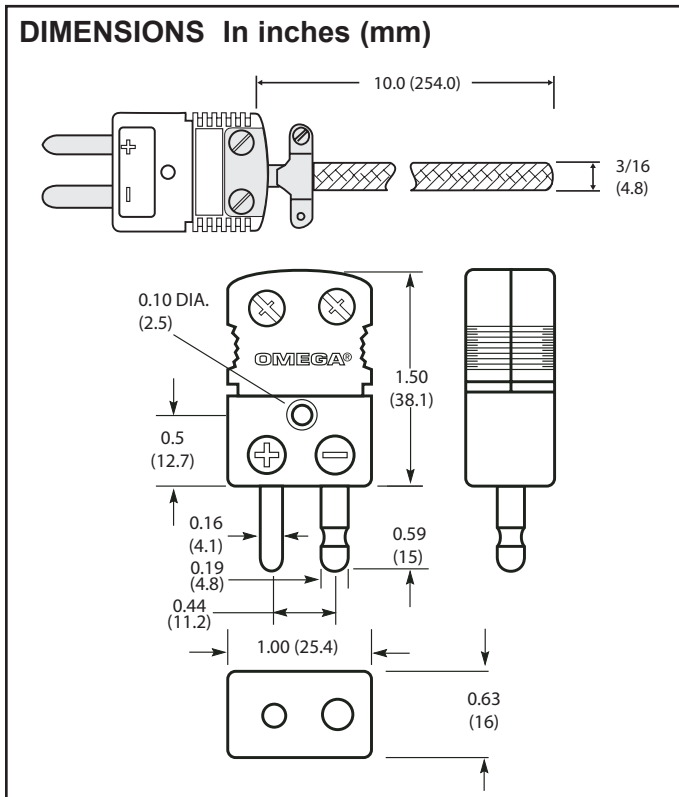


MODEL TMPC - HIGH TEMPERATURE THERMOCOUPLE

GENERAL DESCRIPTION

The model TMPC thermocouple is double-protected with abrasion resistant Inconel overbraid with high temperature ceramic fiber insulation. A temperature rating of up to 980 °C (1796 °F) continuous service and 1090 °C (1994 °F) short-term service makes these probes ideal for many high temperature measurement applications. Ideal applications include profiling ovens and furnaces.

- Flexible and Abrasion Resistant
- Smooth, rounded tip on "hot" side
- Male high temperature standard size ceramic connector on "cold" side



SPECIFICATIONS

1. **WIRE:** 20 AWG, 10 feet in length; standard limits of error
2. **INSULATION:** Nextel® ceramic fiber. (Not to be exported) *
3. **TEMPERATURE:** 980 °C (1796 °F) continuous
1090 °C (1994 °F) short-term service depending on TC type
4. **CONNECTOR:** High temperature ceramic standard size style connector -29 to 650 °C (-20 to 1202 °F)
5. **PROBE:** Grounded TC junction with Inconel overbraid welded to form a smooth, round tip

ORDERING INFORMATION

| MODEL NO. | DESCRIPTION | PART NUMBER |
|-----------|-------------------------------|-------------|
| TMPC | Type K OVERBRAIDED CERAMIC TC | TMPKCF01 |

* Nextel can not be exported. Consult factory for available options.



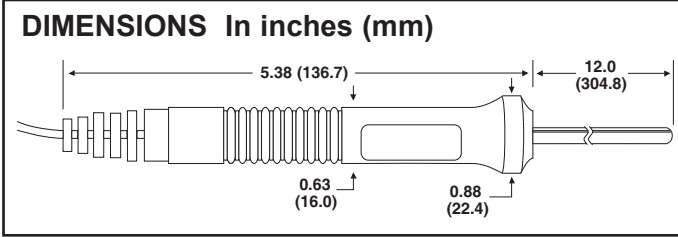
Do not dispose of unit in trash - Recycle

MODEL TMPU - UTILITY THERMOCOUPLES

GENERAL DESCRIPTION

Utility thermocouple probes are basic products for temperature measurement. They are typically connected to a hand held thermometer. The unit features a rugged handle that is permanently molded to a probe sheath. A retractable cable is connected with strain relief to the handle end, and termination is provided by a miniature male connector.

- *RETRACTABLE CABLE WITH SUPERIOR MEMORY*
- *MINIATURE CONNECTOR FOR USE WITH HAND HELD THERMOMETERS*
- *MOLDED HANDLE RATED TO 220 °C (428 °F)*
- *MEETS OR EXCEEDS SLE AND EN 60584-2: TOLERANCE CLASS 1*



* For connector information see the TMPCNM01 bulletin.

SPECIFICATIONS

1. **HANDLE TEMPERATURE RATING:** 220 °C (428 °F)
2. **THERMOCOUPLE JUNCTION:** Grounded
3. **CABLE LENGTH:** 1 foot, expands to 5 feet
4. **PROBE LENGTH:** 12 inches
5. **MAX PROBE TEMPERATURE:**
304SS: 900 °C (1652 °F)
Inconel: 1150 °C (2102 °F)

ORDERING INFORMATION

| MODEL NUMBER | DESCRIPTION | TC ANSI TYPE | SHEATH MATERIAL | SHEATH DIAMETER | CABLE LENGTH | TC JUNCTION | PART NUMBER |
|--------------|-----------------|--------------|-----------------|-----------------|------------------|-------------|-------------|
| TMPU | TC HANDLE PROBE | K | 304 SS | .125 | 1' EXPANDS TO 5' | GROUNDING | TMPKUT01 |
| | TC HANDLE PROBE | K | INCONEL 600 | .125 | 1' EXPANDS TO 5' | GROUNDING | TMPKUT02 |



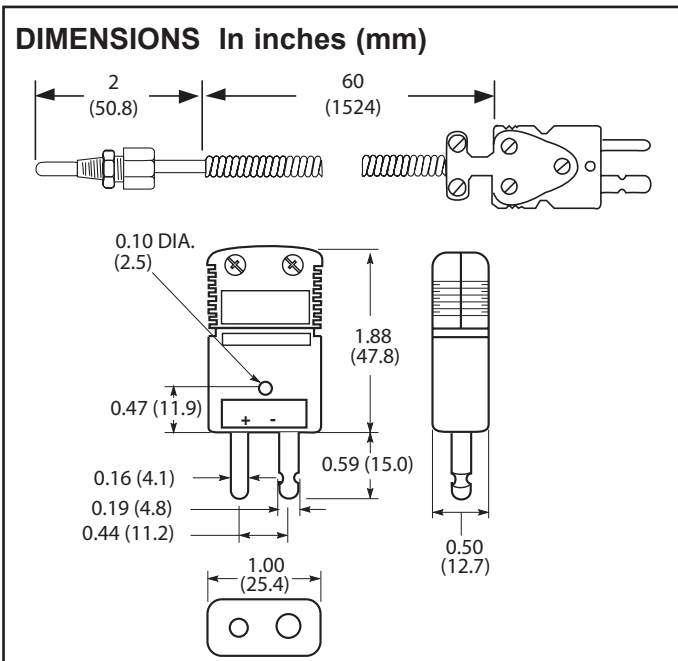
Do not dispose of unit in trash - Recycle

MODEL TMPB - SPRING LOADED COMPRESSION FITTING THERMOCOUPLES

GENERAL DESCRIPTION

The spring-loaded compression fitting thermocouple is ideally suited for measuring plastic processing machinery temperatures at the crosshead, die or barrel. It has a 5 foot stainless steel cable, with a 3/16" sheath diameter and a brass compression fitting with 1/8" NPT.

- *IDEAL FOR EXTRUDERS/MOLDING AND MACHINE PROCESS TEMPERATURE*
- *COLD END TERMINATION IS HIGH TEMPERATURE NICKEL ZINC FERRITE CORE STANDARD MALE CONNECTOR*
- *STANDARD MALE CONNECTOR IS DESIGNED FOR SUPPRESSION OF ELECTROMAGNETIC INTERFERENCE*



SPECIFICATIONS

1. **THERMOCOUPLE JUNCTION:** Type K, grounded
2. **CABLE:** 5 feet, 0.188 dia. stainless steel
3. **CONNECTOR SPECIFICATIONS:** Extra heavy duty solid male pin male connector
Case Material: High temperature liquid crystal polymer (LCP)
Temperature ratings:
 Ferrite core effectiveness: 120° C (248° F)
 LCP Material: 260° C (500° F)
Impedance: (±20%): 35 ohms @ 25 MHz
 70 ohms @ 100 MHz

ORDERING INFORMATION

| MODEL NUMBER | DESCRIPTION | PART NUMBER |
|--------------|-------------------------|-------------|
| TMPB | COMPRESSION TC ASSEMBLY | TMPKBT01 |



Do not dispose of unit in trash - Recycle