



Chipsmall Limited consists of a professional team with an average of over 10 year of expertise in the distribution of electronic components. Based in Hongkong, we have already established firm and mutual-benefit business relationships with customers from,Europe,America and south Asia,supplying obsolete and hard-to-find components to meet their specific needs.

With the principle of "Quality Parts,Customers Priority,Honest Operation,and Considerate Service",our business mainly focus on the distribution of electronic components. Line cards we deal with include Microchip,ALPS,ROHM,Xilinx,Pulse,ON,Everlight and Freescale. Main products comprise IC,Modules,Potentiometer,IC Socket,Relay,Connector.Our parts cover such applications as commercial,industrial, and automotives areas.

We are looking forward to setting up business relationship with you and hope to provide you with the best service and solution. Let us make a better world for our industry!



Contact us

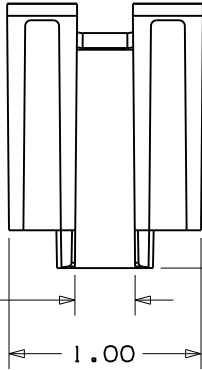
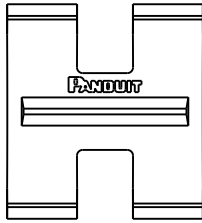
Tel: +86-755-8981 8866 Fax: +86-755-8427 6832

Email & Skype: info@chipsmall.com Web: www.chipsmall.com

Address: A1208, Overseas Decoration Building, #122 Zhenhua RD., Futian, Shenzhen, China



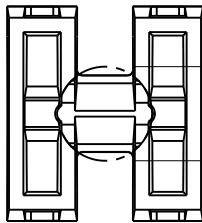
THIS COPY IS PROVIDED ON A RESTRICTED BASIS AND IS NOT TO BE USED IN ANY WAY DETRIMENTAL TO THE INTERESTS OF PANDUIT CORP.



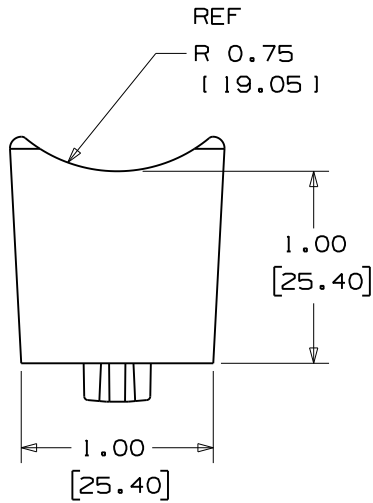
0.197
[5.004]

0.310 MIN.
[7.874]

1.00
[25.40]



∅ 0.490
[12.446]

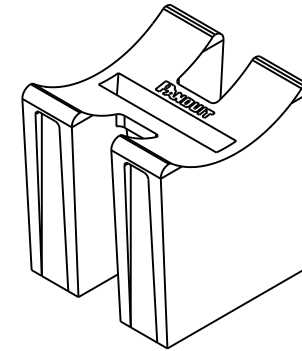


REF
R 0.75
[19.05]

1.00
[25.40]

1.00
[25.40]

PANDUIT PART NUMBER*	WEIGHT	
	lbs/100 pcs	(g)/100 pcs
TMSH50	2.06	(937)



NOTES:

- *1. SEE CURRENT PRICE SHEET FOR PART NUMBER SUFFIX DESIGNATION FOR PACKAGE SIZE.

DIMENSIONS IN BRACKETS ARE METRIC [mm]
CAD FILENAME/LAYERS G00239CQ_PB_TMSH50_A_04.PRT

PANDUIT CORP. TINLEY PARK, ILLINOIS

TMSH50 FRAME MOUNTED
SHOULDERED STANDOFF

UNLESS OTHERWISE SPECIFIED,
DIMENSIONAL TOLERANCES ARE:
(.X) ±0.05 (1.3) (.XXX) ±0.010 (0.25)
(.XX) ±0.02 (0.5) ANGLES ± 5°

UNLESS OTHERWISE SPECIFIED,
ALL DIMENSIONS ARE GIVEN
IN INCHES, THIRD ANGLE PROJECTION.

DRAWN BY GDH	MAT'L: HEAT STABILIZED WEATHER RESISTANT NYLON 6/6, COLOR BLACK	SCALE FULL
DATE 07/25/95		DRAWING NO. GB0239CQ
CHK'D		DWG SIZE A

REV	DATE	BY	CHK	DESCRIPTION	ECN	R	CUST	SUP
4	6-27/01	LGG		UPDATED AND ADDED REF	GB0239CQ	4		
3	07/26/00	GDH		1) DIM .310 MIN WAS .310. 2) MATERIAL WAS POLYPROPYLENE, GLASS FILLED 3) WEIGHT WAS 2.03/(924)	GB0239CQ	3		
2	04/18/96	GDH		REVISED TO REFLECT NEW PART GEOMETRY	GB0239CQ	2		
1	07/25/95	GDH		REVISED PART GEOMETRY AND WEIGHT	GB0239CQ	1		
R	03/28/95	GDH		INITIAL RELEASE	GB0239CQ	R		