



Chipsmall Limited consists of a professional team with an average of over 10 year of expertise in the distribution of electronic components. Based in Hongkong, we have already established firm and mutual-benefit business relationships with customers from,Europe,America and south Asia,supplying obsolete and hard-to-find components to meet their specific needs.

With the principle of “Quality Parts,Customers Priority,Honest Operation,and Considerate Service”,our business mainly focus on the distribution of electronic components. Line cards we deal with include Microchip,ALPS,ROHM,Xilinx,Pulse,ON,Everlight and Freescale. Main products comprise IC,Modules,Potentiometer,IC Socket,Relay,Connector.Our parts cover such applications as commercial,industrial, and automotives areas.

We are looking forward to setting up business relationship with you and hope to provide you with the best service and solution. Let us make a better world for our industry!



## Contact us

Tel: +86-755-8981 8866 Fax: +86-755-8427 6832

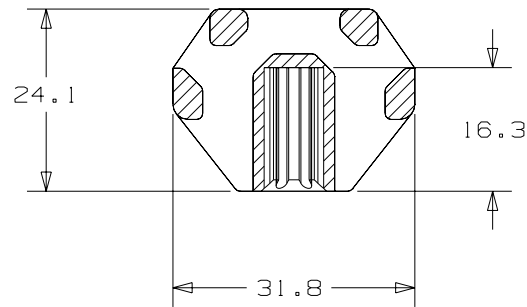
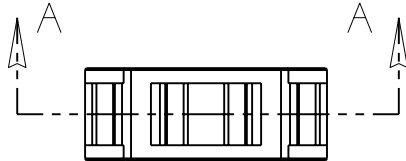
Email & Skype: info@chipsmall.com Web: www.chipsmall.com

Address: A1208, Overseas Decoration Building, #122 Zhenhua RD., Futian, Shenzhen, China

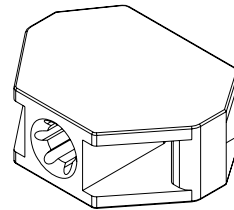


THIS COPY IS PROVIDED ON A RESTRICTED BASIS AND IS NOT TO BE USED IN ANY WAY DETRIMENTAL TO THE INTERESTS OF PANDUIT CORP.

PANDUIT PART NUMBER*	RECOMMENDED MOUNT STUD	MINIMUM INSTALLED STUD PROTRUSION	DIMENSION "A" REF	WEIGHT grams 100 pcs	FOR USE WITH THE FOLLOWING PANDUIT CABLE TIES
TMSTLHS5-30	M5	12.70	4.597 DIA	486	MINIATURE INTERMEDIATE STANDARD LIGHT HEAVY
TMSTLHS6	M6		5.520 DIA	470	
TMSTLHS8	M8		7.595 DIA	444	

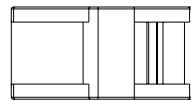
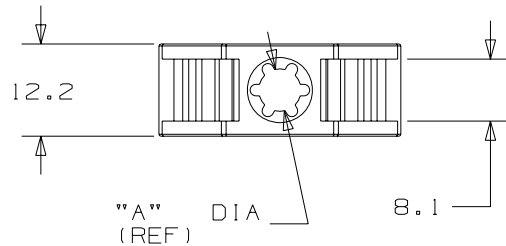


SECTION A-A



\*NOTES:

- SEE CURRENT PRICE SHEET FOR PART NUMBER SUFFIX DESIGNATION CONCERNING PACKAGE SIZE, PART MATERIAL AND PART COLOR.



CAD FILENAME/LAYERS G00239CV\_PB\_TMSTLH\_07



TMSTLH\_\_ TIE MOUNT FOR THREADED STUD

UNLESS OTHERWISE SPECIFIED, DIMENSIONAL TOLERANCES ARE:  
 (.X) ± 1.3 (.XXX) ± 0.25  
 (.XX) ± 0.5 ANGLES ± 5°

UNLESS OTHERWISE SPECIFIED, ALL DIMENSIONS ARE GIVEN IN METRIC (mm), THIRD ANGLE PROJECTION.

DRAWN BY GDH	MAT'L: NYLON 6/6	SCALE 1 : 1
DATE 10/10/95		DRAWING NO. GB0239CV
CHK'D		DWG SIZE A

REV	DATE	BY	CHK	DESCRIPTION	ECN	R	CUST	SUP
7	5-3-06	TMSA		REVISED DIM 'A' DIA FROM 5.613 REMOVED ENGLISH STUD SIZES	GB0239CV	7		
6	6/4/03	JAD		REVISED FORMAT, CONVERT TO METRIC ONLY	GB0239CV	6		