



Chipsmall Limited consists of a professional team with an average of over 10 year of expertise in the distribution of electronic components. Based in Hongkong, we have already established firm and mutual-benefit business relationships with customers from,Europe,America and south Asia,supplying obsolete and hard-to-find components to meet their specific needs.

With the principle of “Quality Parts,Customers Priority,Honest Operation,and Considerate Service”,our business mainly focus on the distribution of electronic components. Line cards we deal with include Microchip,ALPS,ROHM,Xilinx,Pulse,ON,Everlight and Freescale. Main products comprise IC,Modules,Potentiometer,IC Socket,Relay,Connector.Our parts cover such applications as commercial,industrial, and automotives areas.

We are looking forward to setting up business relationship with you and hope to provide you with the best service and solution. Let us make a better world for our industry!



Contact us

Tel: +86-755-8981 8866 Fax: +86-755-8427 6832

Email & Skype: info@chipsmall.com Web: www.chipsmall.com

Address: A1208, Overseas Decoration Building, #122 Zhenhua RD., Futian, Shenzhen, China

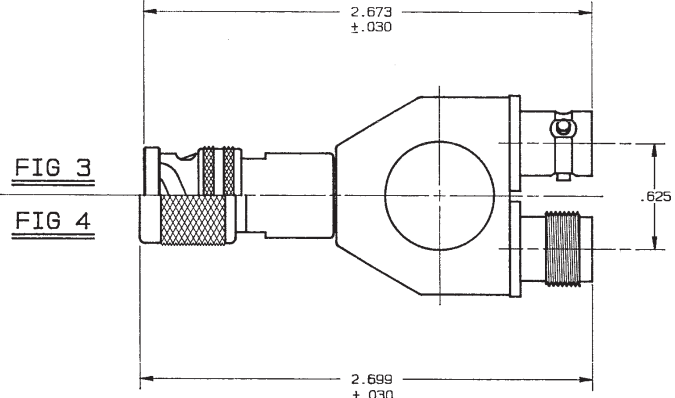
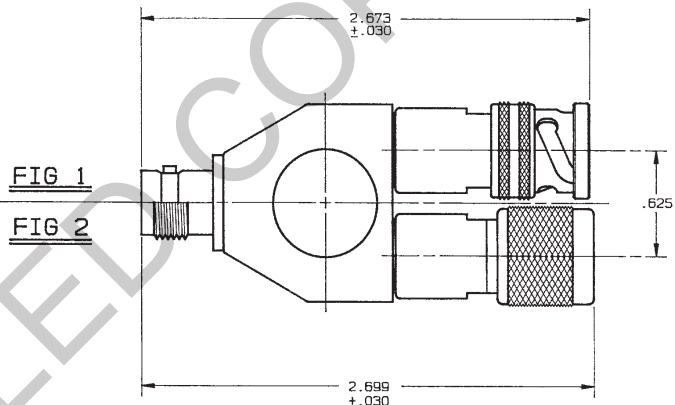
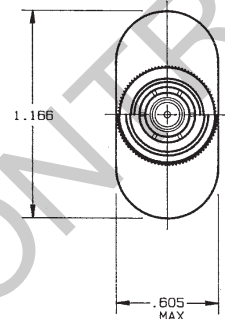
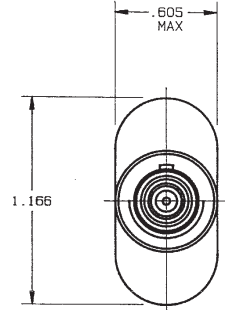


DISK # C4	DWG SIZE C	DATA CONTAINED IN THIS DOCUMENT IS PROPRIETARY TO TROMPETER ELECTRONICS INC. AND SHALL NOT BE DISCLOSED, COPIED OR USED FOR PROCUREMENT OR MANUFACTURE WITHOUT EXPRESS WRITTEN PERMISSION.	REV E0			REVISIONS		1-0252		SH 1
			L	8722	.605 MAX WAS .600 & REDWN	DESCRIPTION	DWN	APPROVED	DATE	

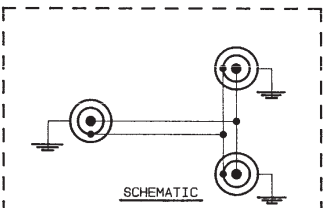
DASH NO	MODEL NO	CONN TYPE	FIG NO
-1	TN2	3-LUG	1
-2	TN2A		3
-3	TN2T		2
-4	TN2TA	THREADED	4
-5	TN2TL		1
-6	TN2TLA	2-LUG	3
-7	TN2FL		1
-8	TN2FLA	4-LUG	3

INCH	MM
.005	0.13
.030	0.76
.600	15.24
.625	15.88
1.166	29.62
2.673	67.89
2.699	68.55

RED INDICATES ORIGINAL



3. FIXED PARALLEL NETWORKS, CONCENTRIC TWINAX / TRIAX 2, 3, 4-LUG & THREADED PLUG(S) & JACKS(S)
2. FINISH: TFS-1A (NICKEL)
1. ALL DIM ARE IN INCHES



QTY	DESCRIPTION	PART NUMBER	ITEM
TOL UNLESS SPECIFIED .XX ± .XXX ± .005 .XXXX ±	TROMPETER RF connectivity	TN2/2A/2T/2TA/2TL/ 2TLA/2FL/2FLA	REV
DWN AAH 12-11-89 CHK <i>OH</i> 12 11 89 ENGR <i>HW</i> 12/11/89 APPR <i>ST</i> 12/11/89			
MATERIAL	CODE IDENT	DRAWING NO.	REV
SCALE 2/1	DATE 12-29-66	14949	1-0252 L
NEXT ASSY	DATE 12-29-66	SHEET	1 OF 2