



Chipsmall Limited consists of a professional team with an average of over 10 year of expertise in the distribution of electronic components. Based in Hongkong, we have already established firm and mutual-benefit business relationships with customers from,Europe,America and south Asia,supplying obsolete and hard-to-find components to meet their specific needs.

With the principle of "Quality Parts,Customers Priority,Honest Operation,and Considerate Service",our business mainly focus on the distribution of electronic components. Line cards we deal with include Microchip,ALPS,ROHM,Xilinx,Pulse,ON,Everlight and Freescale. Main products comprise IC,Modules,Potentiometer,IC Socket,Relay,Connector.Our parts cover such applications as commercial,industrial, and automotives areas.

We are looking forward to setting up business relationship with you and hope to provide you with the best service and solution. Let us make a better world for our industry!



## Contact us

Tel: +86-755-8981 8866 Fax: +86-755-8427 6832

Email & Skype: info@chipsmall.com Web: www.chipsmall.com

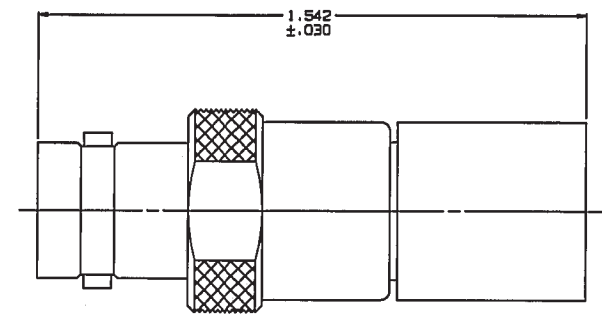
Address: A1208, Overseas Decoration Building, #122 Zhenhua RD., Futian, Shenzhen, China



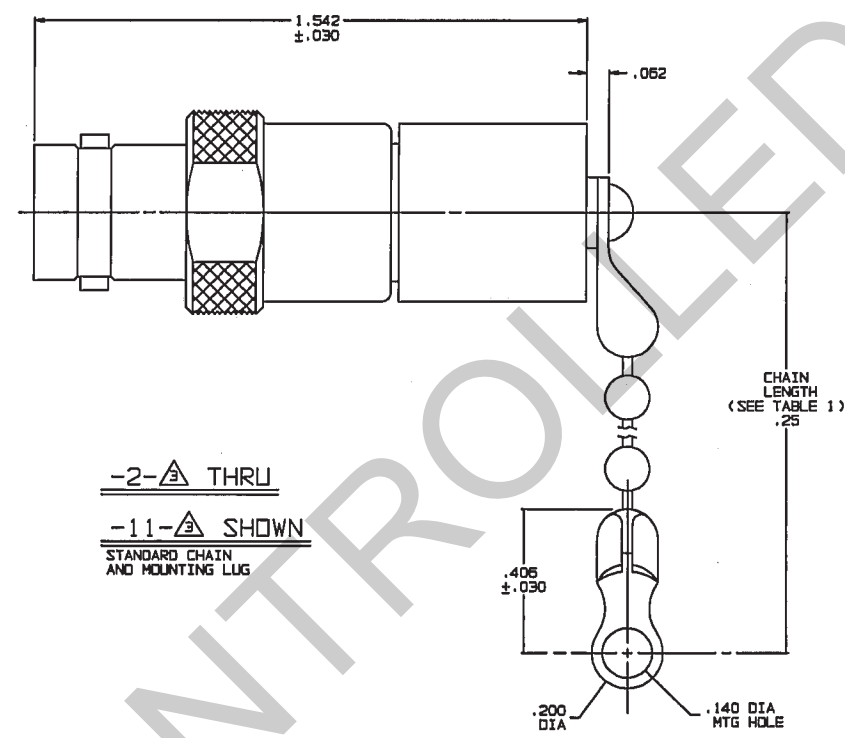
DASH NO	DESCRIPTION
-1	TERM (NO CHAIN)
-2	TERM WITH 2.50 BRASS CHAIN
-3	TERM WITH 2.50 NYLON CHAIN
-4	TERM WITH 3.00 BRASS CHAIN
-5	TERM WITH 3.00 NYLON CHAIN
-6	TERM WITH 6.00 BRASS CHAIN
-7	TERM WITH 6.00 NYLON CHIAN
-8	TERM WITH 4.00 BRASS CHIAN
-9	TERM WITH 4.00 NYLON CHIAN
-10	TERM WITH 10.00 BRASS CHIAN
-11	TERM WITH 10.00 NYLON CHIAN
-12	TERM WITH 2.50 JACKETED STAINLESS STEEL ROPE
-13	TERM WITH 3.00 JACKETED STAINLESS STEEL ROPE
-14	TERM WITH 6.00 JACKETED STAINLESS STEEL ROPE
-15	TERM WITH 4.00 JACKETED STAINLESS STEEL ROPE

TABLE 2			INCH		MM		INCH		MM		INCH		MM	
DASH NO	"A" DIA	"B" DIA	"C" DIM											
.005	0.13	.317	8.05	.570	14.48	.941	22.53							
.010	0.25	.380	9.65	.610	15.49	1.003	25.48							
.030	0.76	.406	10.31	.625	15.88	1.066	27.08							
.032	0.81	.437	11.10	.630	16.00	1.542	39.17							
.062	1.57	.439	11.15	.687	17.45	2.50	63.50							
.140	3.56	.500	12.70	.722	18.34	3.00	76.20							
.200	5.08	.505	12.83	.750	19.05	4.00	101.60							
.25	6.35	.56	14.22	.753	19.13	6.00	152.40							
.281	7.14	.562	14.27	.815	20.73	10.00	254.00							
.290	7.37	.567	14.40	.878	22.30									

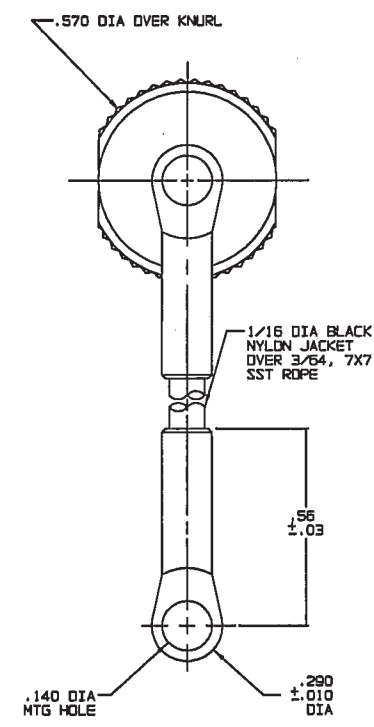
RED INDICATES ORIGINAL



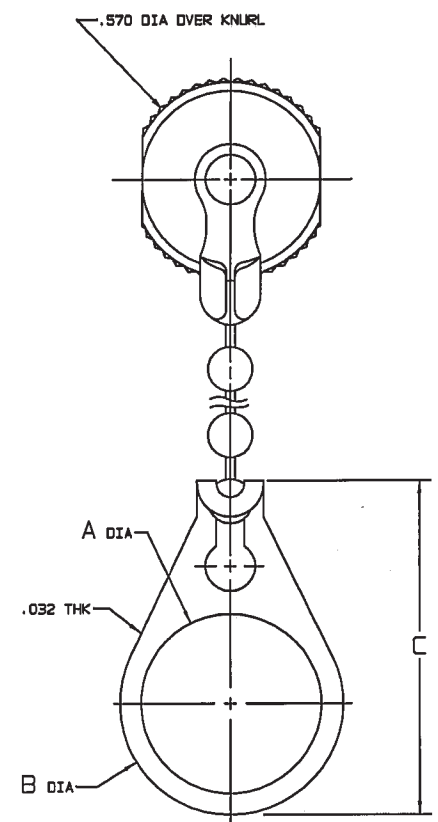
-1-  $\Delta$  SHOWN  
NO CHAIN/ROPE OR MOUNTING LUG



-2-  $\Delta$  THRU  
-11-  $\Delta$  SHOWN  
STANDARD CHAIN AND MOUNTING LUG

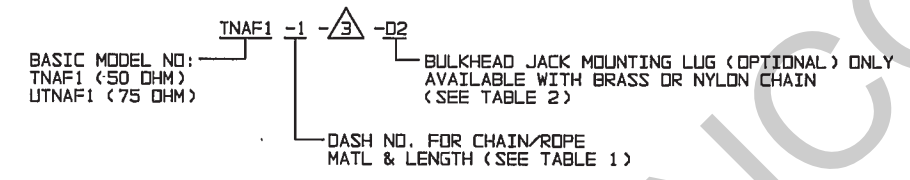


-12-  $\Delta$  THRU  
-15-  $\Delta$  SHOWN  
STAINLESS STEEL ROPE AND MOUNTING LUG



-2-  $\Delta$  -02 THRU  
-11-  $\Delta$  -09 SHOWN  
STANDARD CHAIN AND BULKHEAD RECEPTACLE MOUNTING LUG

5. EXAMPLE OF COMPLETE MODEL NO:

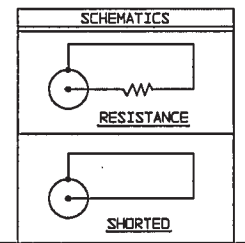


4. 50 & 75 OHM TERMINATED COAXIAL BNC RECEPTACLE

$\Delta$  RESISTANCE VALUE IN OHMS (1/2W, 1%)  
S = CENTER CONTACT SHORTED TO CONNECTOR BODY (NO RESISTOR)  
0 = NO RESISTOR, CONTACT NOT SHORTED, AND CONNECTOR IS SUPPLIED LOOSELY ASSEMBLED (CUSTOMER TO COMPLETE THE ASSEMBLY)

2. FINISH: TFS-1A (NICKEL)

1. ALL DIM ARE IN INCHES



QTY	DESCRIPTION	PART NUMBER	ITEM
TOL UNLESS SPECIFIED .XX ± .XXX ±.005 .XXXX ± ANGLES	<b>TROMPETER</b> RF connectivity	U/TNAF1	
DWN R/L 12/16/99	MATERIAL CODE IDENT	DRAWING NO.	REV
CHK	14949	105-1040	C
ENGR	SCALE 4/1	DATE 12-3-90	SHEET 1C
APPR			