



Chipsmall Limited consists of a professional team with an average of over 10 year of expertise in the distribution of electronic components. Based in Hongkong, we have already established firm and mutual-benefit business relationships with customers from,Europe,America and south Asia,supplying obsolete and hard-to-find components to meet their specific needs.

With the principle of “Quality Parts,Customers Priority,Honest Operation,and Considerate Service”,our business mainly focus on the distribution of electronic components. Line cards we deal with include Microchip,ALPS,ROHM,Xilinx,Pulse,ON,Everlight and Freescale. Main products comprise IC,Modules,Potentiometer,IC Socket,Relay,Connector.Our parts cover such applications as commercial,industrial, and automotives areas.

We are looking forward to setting up business relationship with you and hope to provide you with the best service and solution. Let us make a better world for our industry!



Contact us

Tel: +86-755-8981 8866 Fax: +86-755-8427 6832

Email & Skype: info@chipsmall.com Web: www.chipsmall.com

Address: A1208, Overseas Decoration Building, #122 Zhenhua RD., Futian, Shenzhen, China



| TABLE 1 | |
|---------|--|
| DASH NO | DESCRIPTION |
| -1 | TERM (NO CHAIN) |
| -2 | TERM WITH 2.5 BRASS CHAIN |
| -3 | TERM WITH 2.5 NYLON CHAIN |
| -4 | TERM WITH 3.0 NYLON CHAIN |
| -5 | TERM WITH 3.0 NYLON CHAIN |
| -6 | TERM WITH 6.0 BRASS CHAIN |
| -7 | TERM WITH 6.0 NYLON CHAIN |
| -8 | TERM WITH 4.0 BRASS CHAIN |
| -9 | TERM WITH 4.0 NYLON CHAIN |
| -10 | TERM WITH 10.0 BRASS CHAIN |
| -11 | TERM WITH 10.0 NYLON CHAIN |
| -12 | TERM WITH 2.5 JACKETED STAINLESS STEEL ROPE |
| -13 | TERM WITH 3.0 JACKETED STAINLESS STEEL ROPE |
| -14 | TERM WITH 6.0 JACKETED STAINLESS STEEL ROPE |
| -15 | TERM WITH 4.0 JACKETED STAINLESS STEEL ROPE |
| -16 | TERM WITH 7.0 JACKETED STAINLESS STEEL ROPE |
| -17 | TERM WITH 4.5 JACKETED STAINLESS STEEL ROPE |
| -18 | TERM WITH 12.0 JACKETED STAINLESS STEEL ROPE |
| -19 | TERM WITH 18.0 JACKETED STAINLESS STEEL ROPE |

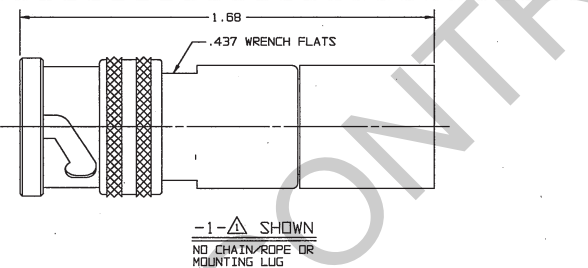
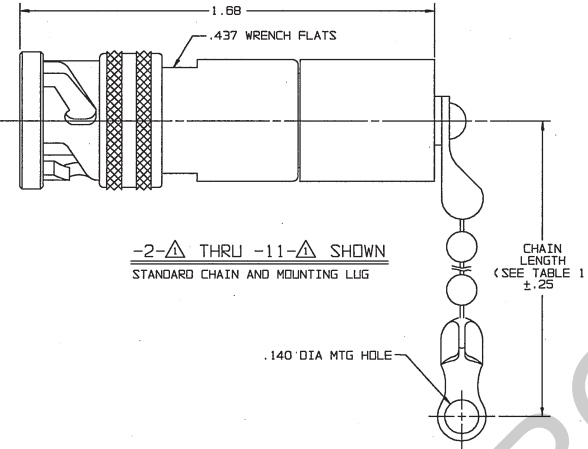
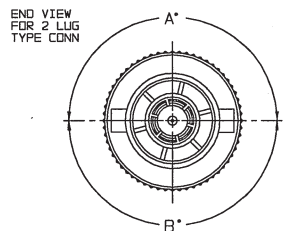
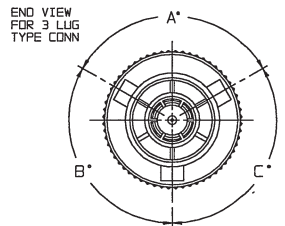
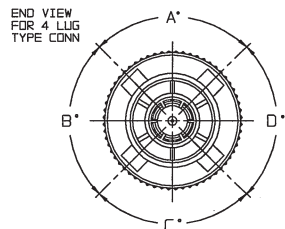
| TABLE 2 | | POLARIZATION | | | |
|----------|-----------|--------------|----------|----------|----------|
| MODEL NO | TYPE CONN | A DEGREE | B DEGREE | C DEGREE | D DEGREE |
| TNG1 | 3 LUG | 120° | 120° | 120° | --- |
| TNGFL1 | 4 LUG | 90° | 90° | 90° | 90° |
| TNGTL1 | 2 LUG | 180° | 180° | --- | --- |
| TNGIT | 3 LUG | 100° | 150° | 110° | --- |
| TNGIU | | 120° | 130° | 110° | --- |
| TNGIV | | 115° | 130° | 115° | --- |
| TNGIW | | 125° | 110° | 125° | --- |
| TNGIX | | 130° | 100° | 130° | --- |
| TNGIY | | 110° | 140° | 110° | --- |
| TNGIZ | 100° | 160° | 100° | --- | |
| TNGIS | 135° | 135° | 90° | --- | |

| TABLE 3 | | | | |
|---------|---------|---------|---------|---------|
| DASH NO | "A" DIA | "B" DIA | "C" DIM | "D" DIM |
| -01 | .755 | .875 | 1.191 | .512 |
| -02 | .630 | .750 | 1.066 | .450 |
| -03 | .505 | .625 | .941 | .388 |
| -04 | .439 | .562 | .878 | .355 |
| -05 | .380 | .500 | .816 | .325 |
| -06 | .317 | .437 | .753 | .295 |
| -07 | .281 | .406 | .722 | .278 |
| -08 | .610 | .750 | 1.066 | .450 |
| -09 | .567 | .687 | 1.003 | .419 |
| -10 | .192 | .312 | .628 | .231 |
| -008 | .330 | .450 | .766 | .300 |

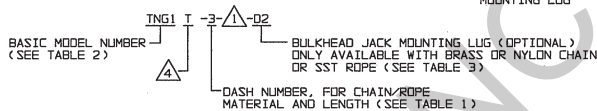
DATA CONTAINED IN THIS DOCUMENT IS PROPRIETARY TO TROMPETER ELECTRONICS, INC. AND SHALL NOT BE DISCLOSED, COPIED OR USED FOR REPRODUCTION OF MANUFACTURE WITHOUT EXPRESS WRITTEN PERMISSION OF TROMPETER ELECTRONICS, INC.

| REVISIONS | | 310-0033 | SH 1C |
|-----------|-----------------------|----------|----------|
| REV | DESCRIPTION | DATE | APPROVED |
| AG | REVISED PER ECD 16890 | 4/1/09 | MALC |

RED INDICATES ORIGINAL



3. EXAMPLE OF COMPLETE MODEL NUMBER:

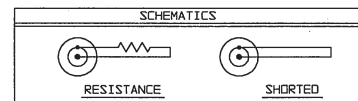
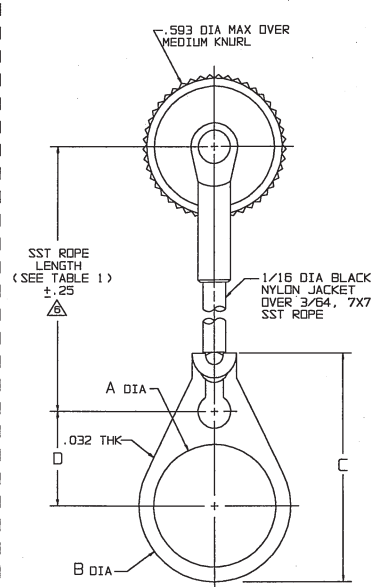
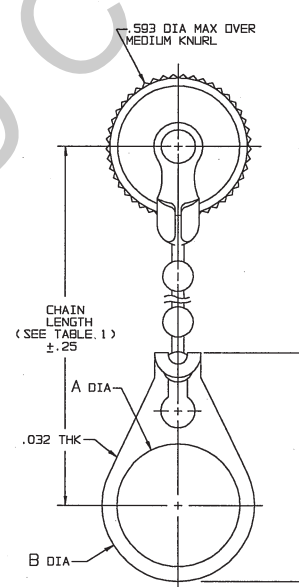
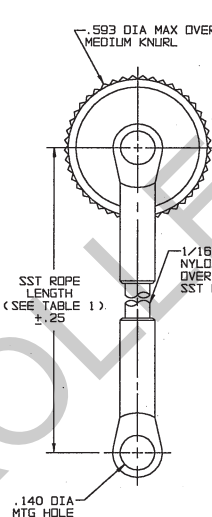


2. 2, 3 AND 4 LUG CONCENTRIC TWINAX/TRIAX TERMINATION PLUG WITH CHAIN, SST ROPE AND MOUNTING LUG OPTIONS

△ RESISTANCE VALUE IN OHMS, 1/2W, 1%.
S = CONTACT SHORTED TO INNER SHIELD (NO RESISTOR)
0 = LOOSELY ASSEMBLED (NO RESISTOR)

△ NOTE THAT LENGTH FOR SST ROPE WITH MOUNTING LUG OPTION IS NOT MEASURED TO CENTER OF BULKHEAD MOUNTING LUG

△ POLARIZATION LETTER: NONE REQUIRED FOR STANDARD POLARIZATION LETTER CODE (SEE TABLE 2)



OUTSHEET DRAWING PER MIL-STD-883C-10 DIMENSIONS ARE IN INCHES AND INCLUDE FINISH THICKNESS UNLESS OTHERWISE SPECIFIED

DRAWN: L.M. DATE: 3-24-09
CHECKED: M.J. 3-30-09
QUALITY: [initials]
RANK: [initials]
APPROVED: [initials] 3/30/09
CDD FILE NO: 310-0033AG

TOL: UNLESS SPECIFIED
.XX ± .02
.XXX ± .010
.XXXX ANGLES
MATERIAL:
FINISH:
SIZE CAGE CODE: A 14949
DRAWING NO.: 310-0033
SCALE: 4/1
DATE: 7-15-66
SHEET: 1C

TROMPETER
RF connectivity
a cinch connectivity solutions brand

TITLE: TNG1/TNGFL1/TNGTL1/TNGIT;U,V,W,X,Y,Z & S

REV: AG

NEXT ASSY: DO NOT SCALE DIM