



Chipsmall Limited consists of a professional team with an average of over 10 year of expertise in the distribution of electronic components. Based in Hongkong, we have already established firm and mutual-benefit business relationships with customers from,Europe,America and south Asia,supplying obsolete and hard-to-find components to meet their specific needs.

With the principle of “Quality Parts,Customers Priority,Honest Operation,and Considerate Service”,our business mainly focus on the distribution of electronic components. Line cards we deal with include Microchip,ALPS,ROHM,Xilinx,Pulse,ON,Everlight and Freescale. Main products comprise IC,Modules,Potentiometer,IC Socket,Relay,Connector.Our parts cover such applications as commercial,industrial, and automotives areas.

We are looking forward to setting up business relationship with you and hope to provide you with the best service and solution. Let us make a better world for our industry!



Contact us

Tel: +86-755-8981 8866 Fax: +86-755-8427 6832

Email & Skype: info@chipsmall.com Web: www.chipsmall.com

Address: A1208, Overseas Decoration Building, #122 Zhenhua RD., Futian, Shenzhen, China



DATA CONTAINED IN THIS DOCUMENT IS PROPRIETARY TO TROMPETER ELECTRONICS INC. AND SHALL NOT BE DISCLOSED, COPIED OR USED FOR PROCUREMENT OR MANUFACTURE WITHOUT EXPRESS WRITTEN PERMISSION OF TROMPETER ELECTRONICS INC.

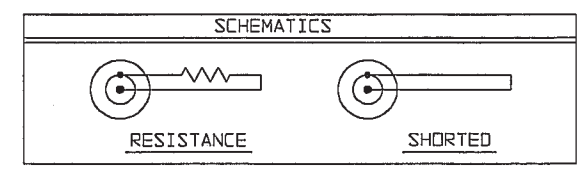
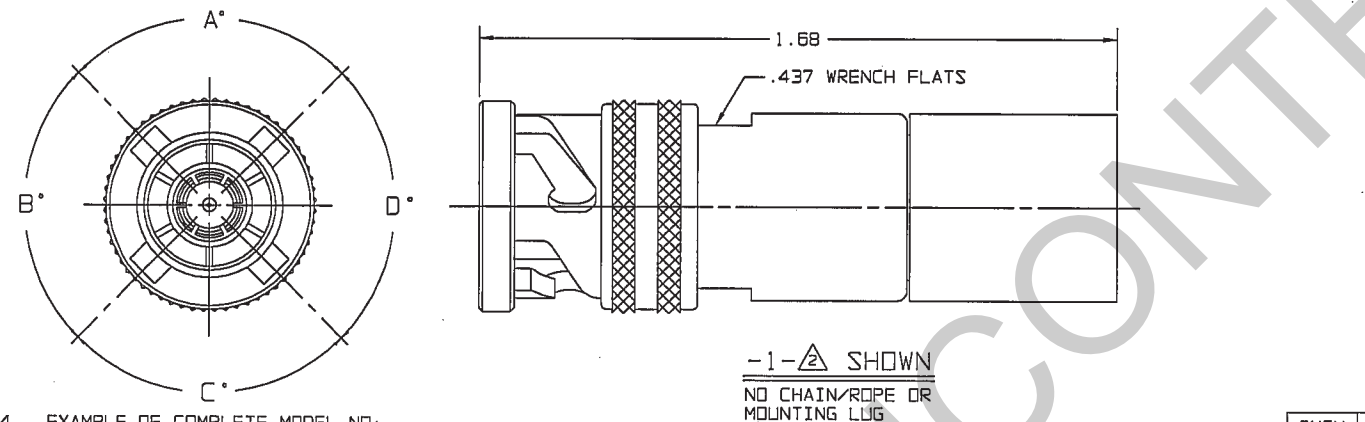
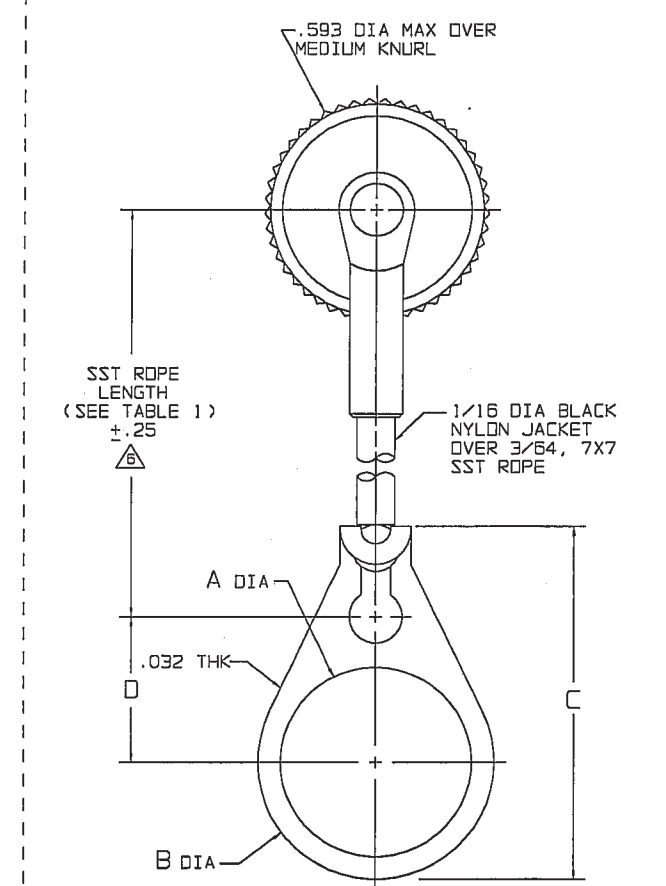
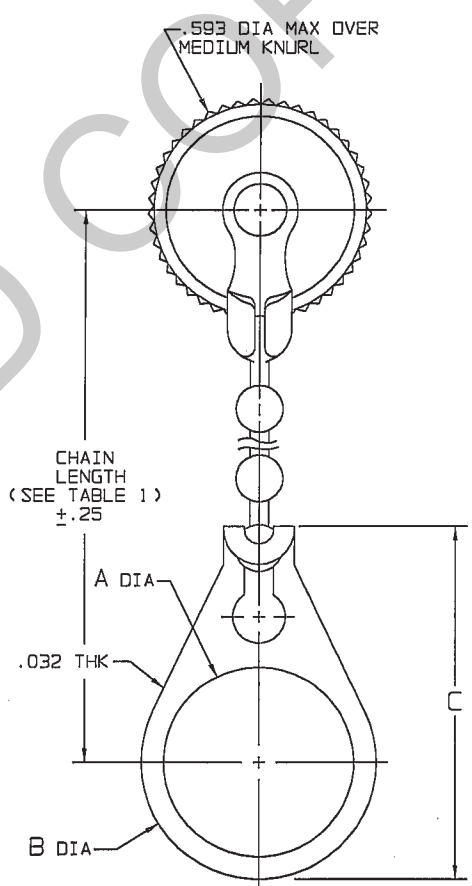
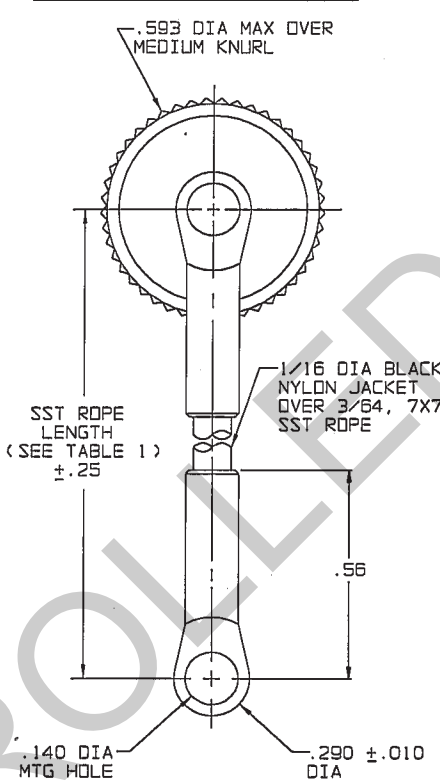
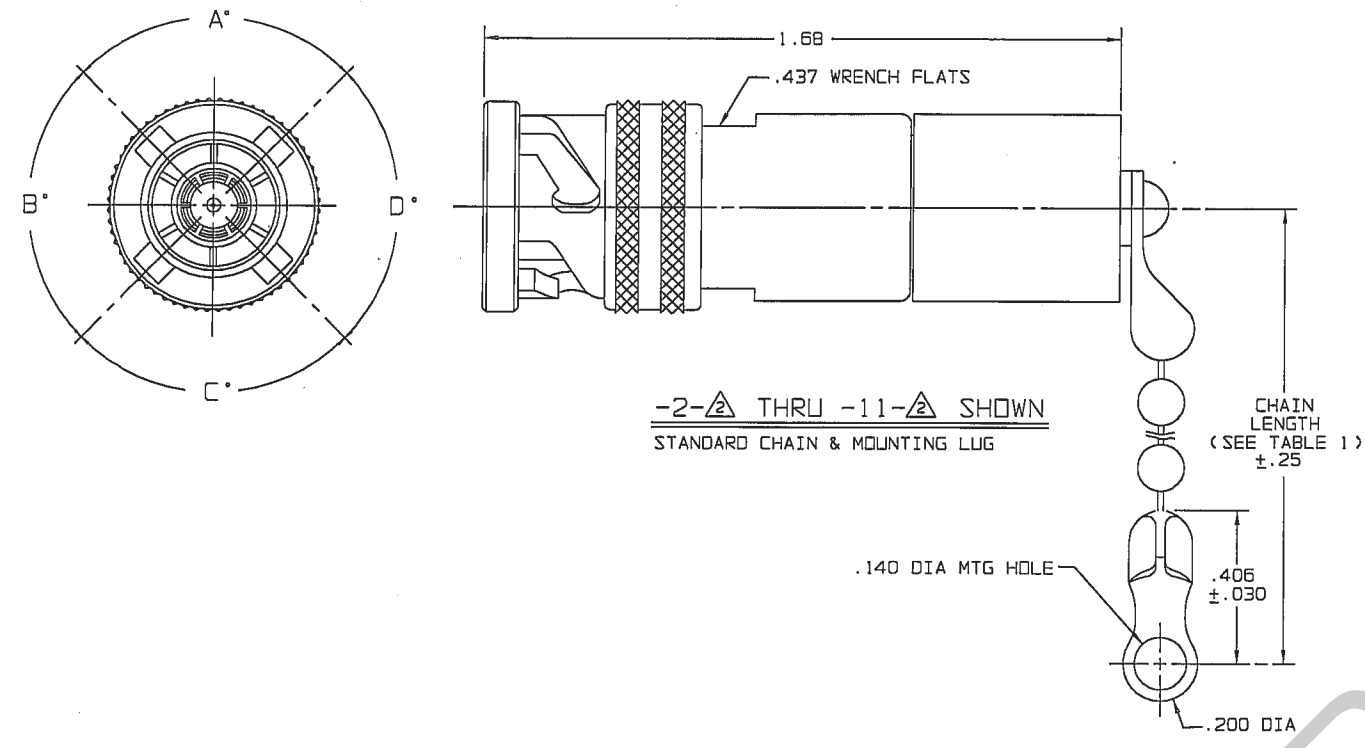
REVISIONS		310-0033	SH 1C
REV	DESCRIPTION	DATE	APPROVED
AF	REVISED PER ECO #14443	3-5-02	MM

DASH NO	DESCRIPTION	DASH NO	DESCRIPTION
-1	TERM (NO CHAIN)	-12	TERM WITH 2.5 JACKETED STAINLESS STEEL ROPE
-2	TERM WITH 2.5 BRASS CHAIN	-13	TERM WITH 3.0 JACKETED STAINLESS STEEL ROPE
-3	TERM WITH 2.5 NYLON CHAIN	-14	TERM WITH 6.0 JACKETED STAINLESS STEEL ROPE
-4	TERM WITH 3.0 BRASS CHAIN	-15	TERM WITH 4.0 JACKETED STAINLESS STEEL ROPE
-5	TERM WITH 3.0 NYLON CHAIN	-16	TERM WITH 7.0 JACKETED STAINLESS STEEL ROPE
-6	TERM WITH 6.0 BRASS CHAIN	-17	TERM WITH 4.5 JACKETED STAINLESS STEEL ROPE
-7	TERM WITH 6.0 NYLON CHAIN		
-8	TERM WITH 4.0 BRASS CHAIN		
-9	TERM WITH 4.0 NYLON CHAIN		
-10	TERM WITH 10.0 BRASS CHAIN		
-11	TERM WITH 10.0 NYLON CHAIN		

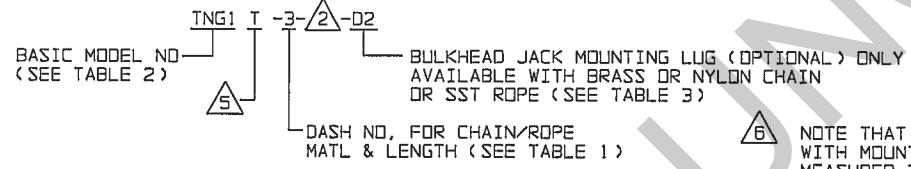
MODEL NO	TYPE CONN	POLARIZATION			
		A DEGREE	B DEGREE	C DEGREE	D DEGREE
TNG1	3 LUG	120°	120°	120°	—
TNGFL1	4 LUG	90°	90°	90°	—
TNGTL1	2 LUG	180°	180°	—	—
TNG1T	3 LUG	100°	150°	110°	—
TNG1U		120°	130°	110°	—
TNG1V		115°	130°	115°	—
TNG1W		125°	110°	125°	—
TNG1X		130°	100°	130°	—
TNG1Y		110°	140°	110°	—
TNG1Z		100°	160°	100°	—
TNG1S		135°	135°	90°	—

DASH NO	"A" DIA	"B" DIA	"C" DIM	"D" DIM
-D1	.755	.875	1.191	.512
-D2	.630	.750	1.066	.450
-D3	.505	.625	.941	.388
-D4	.439	.562	.878	.355
-D5	.380	.500	.816	.325
-D6	.317	.437	.753	.295
-D7	.281	.406	.722	.278
-D8	.610	.750	1.066	.450
-D9	.567	.687	1.003	.419
-DD8	.330	.450	.766	.300

RED INDICATES ORIGINAL



4. EXAMPLE OF COMPLETE MODEL NO:



3. 2, 3 & 4 LUG CONCENTRIC TWINAX/TRIAX TERMINATION PLUG WITH CHAIN, SST ROPE AND MOUNTING LUG OPTIONS

2. RESISTANCE VALUE IN OHMS, 1/2W, 1%. "S" = CONTACT SHORTED TO INNER SHIELD (NO RESISTOR) "D" = LOOSELY ASSEMBLED (NO RESISTOR)

1. ALL DIMENSION ARE IN INCHES

NOTE THAT LENGTH FOR SST ROPE WITH MOUNTING LUG OPTION IS NOT MEASURED TO CENTER OF BULKHEAD MOUNTING LUG

POLARIZATION LETTER; NONE REQUIRED FOR STANDARD POLARIZATION LETTER CODE (SEE TABLE 2)

INCH	MM	INCH	MM	INCH	MM	INCH	MM	INCH	MM
.005	0.13	.295	7.49	.437	11.10	.625	15.88	1.003	25.48
.010	0.25	.300	7.62	.439	11.15	.630	16.00	1.066	27.08
.030	0.76	.317	8.05	.450	11.43	.687	17.45	1.68	42.67
.032	0.81	.325	8.26	.500	12.70	.722	18.34	2.5	63.50
.140	3.56	.330	8.38	.505	12.83	.750	19.05	3.0	76.20
.200	5.08	.355	9.02	.56	14.22	.753	19.13	4.0	101.60
.25	6.35	.380	9.65	.562	14.27	.766	19.46	4.5	114.30
.278	7.06	.388	9.86	.567	14.40	.816	20.73	6.0	152.40
.281	7.14	.406	10.31	.593	15.06	.878	22.30	7.0	177.80
.290	7.37	.419	10.64	.610	15.49	.941	23.90	10.0	254.00

INTERPRET DRAWING PER MIL-STD-100 DIMENSIONS ARE IN INCHES AND INCLUDE FINISH THICKNESS UNLESS OTHERWISE SPECIFIED		TOL: UNLESS SPECIFIED .XX ± .02 .XXX ± .010 .XXXX ANGLES		
DRAWN P/D	DATE 2-19-02	CHECKED	DATE 3-1-02	
QUALITY	DATE 3-5-02	HANDLER	DATE 3/5/02	SIZE CAGE CODE DRAWING NO. REV. A 14949 310-0033 AF
APPROVED	DATE 3/4/02	CAD FILE NO.	310-0033AE1	SCALE 4/1 DATE: 7-15-66 SHEET 1C