



Chipsmall Limited consists of a professional team with an average of over 10 year of expertise in the distribution of electronic components. Based in Hongkong, we have already established firm and mutual-benefit business relationships with customers from,Europe,America and south Asia,supplying obsolete and hard-to-find components to meet their specific needs.

With the principle of "Quality Parts,Customers Priority,Honest Operation,and Considerate Service",our business mainly focus on the distribution of electronic components. Line cards we deal with include Microchip,ALPS,ROHM,Xilinx,Pulse,ON,Everlight and Freescale. Main products comprise IC,Modules,Potentiometer,IC Socket,Relay,Connector.Our parts cover such applications as commercial,industrial, and automotives areas.

We are looking forward to setting up business relationship with you and hope to provide you with the best service and solution. Let us make a better world for our industry!



Contact us

Tel: +86-755-8981 8866 Fax: +86-755-8427 6832

Email & Skype: info@chipsmall.com Web: www.chipsmall.com

Address: A1208, Overseas Decoration Building, #122 Zhenhua RD., Futian, Shenzhen, China



RED INDICATES ORIGINAL

TABLE 1	
DASH NO	DESCRIPTION
-1	TERM (NO CHAIN)
-2	TERM WITH 2.5 BRASS CHAIN
-3	TERM WITH 2.5 NYLON CHAIN
-4	TERM WITH 3.0 BRASS CHAIN
-5	TERM WITH 3.0 NYLON CHAIN
-6	TERM WITH 6.0 BRASS CHAIN
-7	TERM WITH 6.0 NYLON CHAIN
-8	TERM WITH 4.0 BRASS CHAIN
-9	TERM WITH 4.0 NYLON CHAIN
-10	TERM WITH 10.0 BRASS CHAIN
-11	TERM WITH 10.0 NYLON CHAIN
-12	TERM WITH 2.5 SST ROPE
-13	TERM WITH 3.0 SST ROPE
-14	TERM WITH 6.0 SST ROPE

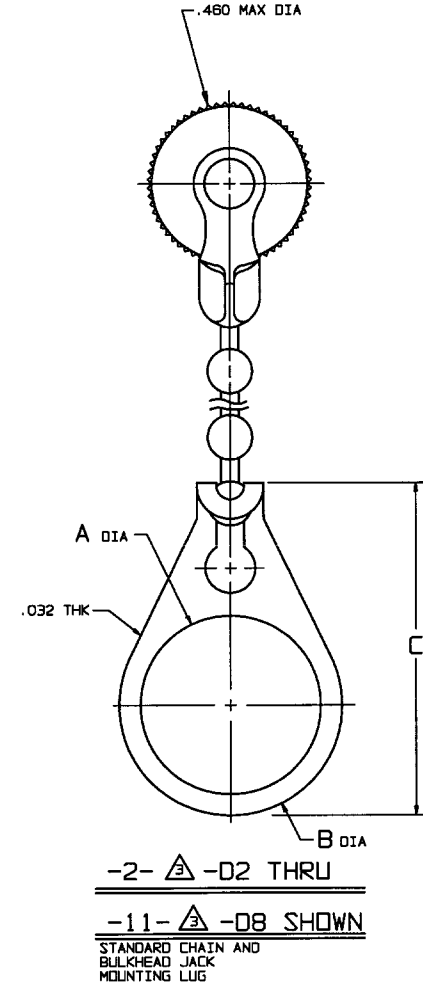
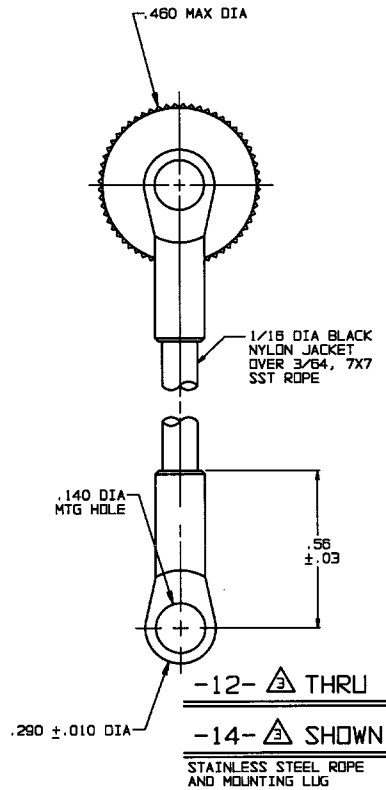
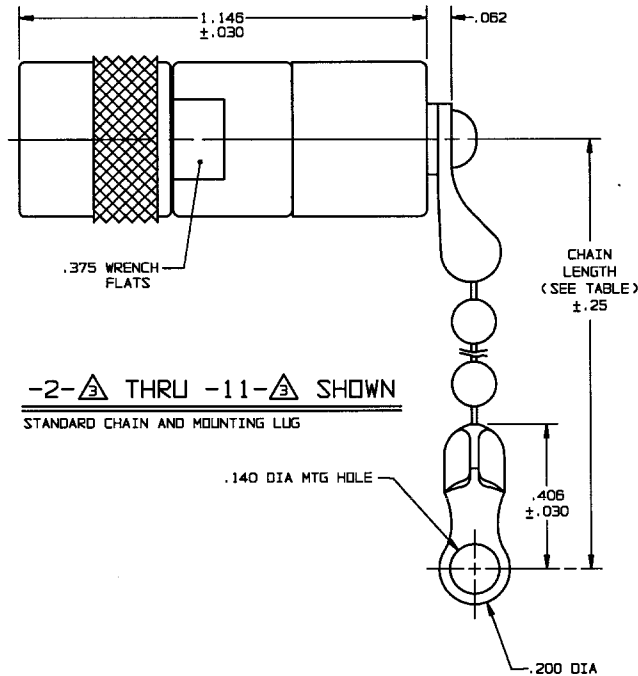
TABLE 2			
DASH NO	"A" DIM	"B" DIM	"C" DIM
-D2	.630	.750	1.066
-D3	.505	.625	.941
-D5	.380	.500	.816
-D8	.610	.750	1.066

INCH		MM	
.005	0.13	.56	14.22
.010	0.25	.610	15.49
.030	0.76	.625	15.88
.032	0.83	.630	16.00
.062	1.57	.750	19.05
.140	3.58	.816	20.73
.200	5.08	.941	23.90
.250	6.35	1.066	27.08
.290	7.37	1.146	29.11
.375	9.53	2.5	63.50
.380	9.65	3.0	76.20
.406	10.31	4.0	101.60
.460	11.68	6.0	152.40
.500	12.70	10.0	254.00
.505	12.83		

DWG SIZE
C

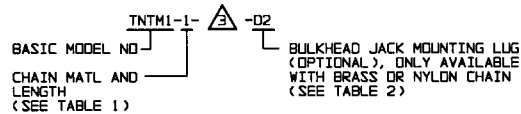
DATA CONTAINED IN THIS DOCUMENT IS PROPRIETARY TO TROMPETER ELECTRONICS INC. AND SHALL NOT BE DISCLOSED, COPIED OR USED FOR PROMOTION OR MANUFACTURE WITHOUT EXPRESS WRITTEN PERMISSION.

REVISIONS			310-0048		SH 1
REV	EO	DESCRIPTION	DWN	APPROVED	DATE
C	11004	ADDED "SST ROPE" AND "D" LUG OPTIONS; ADDED "S" FOR SHORTED TO INNER SHIELD; DRAWING NUMBER WAS 3100-0048; GENERAL UPDATE; REDRAWN; SEE ECD	DKC	<i>Bm, Ja</i>	12/19/94



6. IF SAFETY WIRE TYPE REQ'D ADD SUFFIX "S" TO MODEL NO (I.E. TNTMS1)

5. EXAMPLE OF COMPLETE MODEL NO:

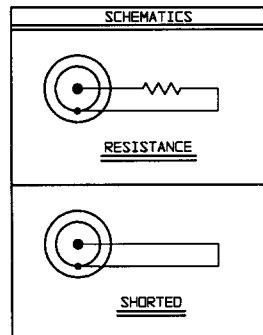


4. PIN CONTACT TTM SERIES CONCENTRIC TWINAX/TRIAX THREADED SUBMINIATURE TERMINATED CABLE PLUG

RESISTANCE VALUE IN OHMS (1/8, 1/2) *S* = SHORTED TO INNER SHIELD (NO RESISTOR) 4

2. FINISH: TFS-1A (NICKEL)

1. ALL DIM ARE IN INCHES



QTY	DESCRIPTION	PART NUMBER	ITEM
TOL UNLESS SPECIFIED +.001 ± .005 ± ANGLES	TROMPETER RF connectivity	TNTM1/TNTMS1	
DWN DKC 12-18-94	MATERIAL	CODE IDENT 14949	DRAWING NO. 3100-0048
CHK <i>Bm</i> 12-19-94			REV C
ENGR			
APPR <i>ZK</i> 12/19/94	SCALE 4/1	DATE	SHEET 1 OF 2