



Chipsmall Limited consists of a professional team with an average of over 10 year of expertise in the distribution of electronic components. Based in Hongkong, we have already established firm and mutual-benefit business relationships with customers from,Europe,America and south Asia,supplying obsolete and hard-to-find components to meet their specific needs.

With the principle of “Quality Parts,Customers Priority,Honest Operation,and Considerate Service”,our business mainly focus on the distribution of electronic components. Line cards we deal with include Microchip,ALPS,ROHM,Xilinx,Pulse,ON,Everlight and Freescale. Main products comprise IC,Modules,Potentiometer,IC Socket,Relay,Connector.Our parts cover such applications as commercial,industrial, and automotives areas.

We are looking forward to setting up business relationship with you and hope to provide you with the best service and solution. Let us make a better world for our industry!



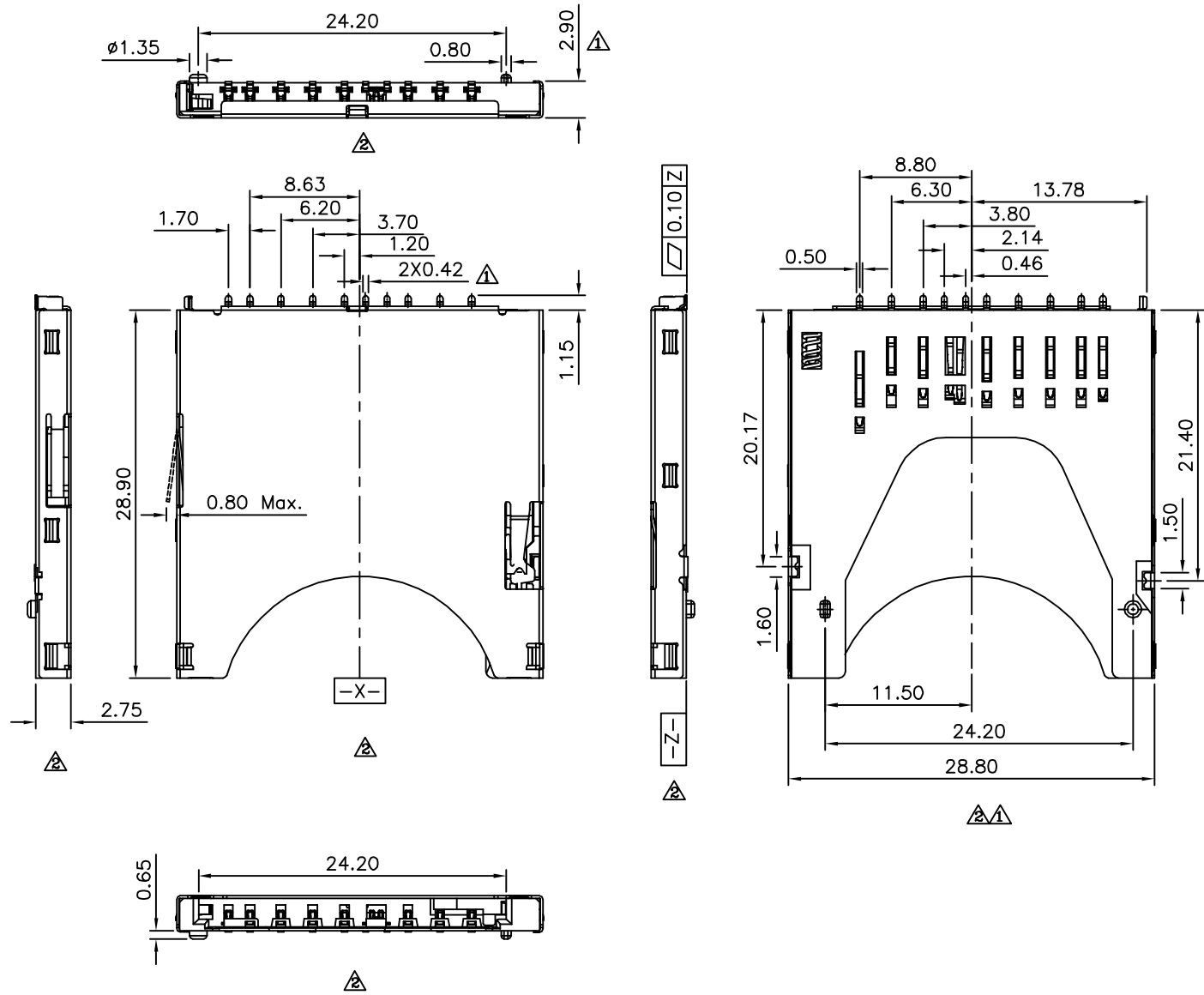
Contact us

Tel: +86-755-8981 8866 Fax: +86-755-8427 6832

Email & Skype: info@chipsmall.com Web: www.chipsmall.com

Address: A1208, Overseas Decoration Building, #122 Zhenhua RD., Futian, Shenzhen, China





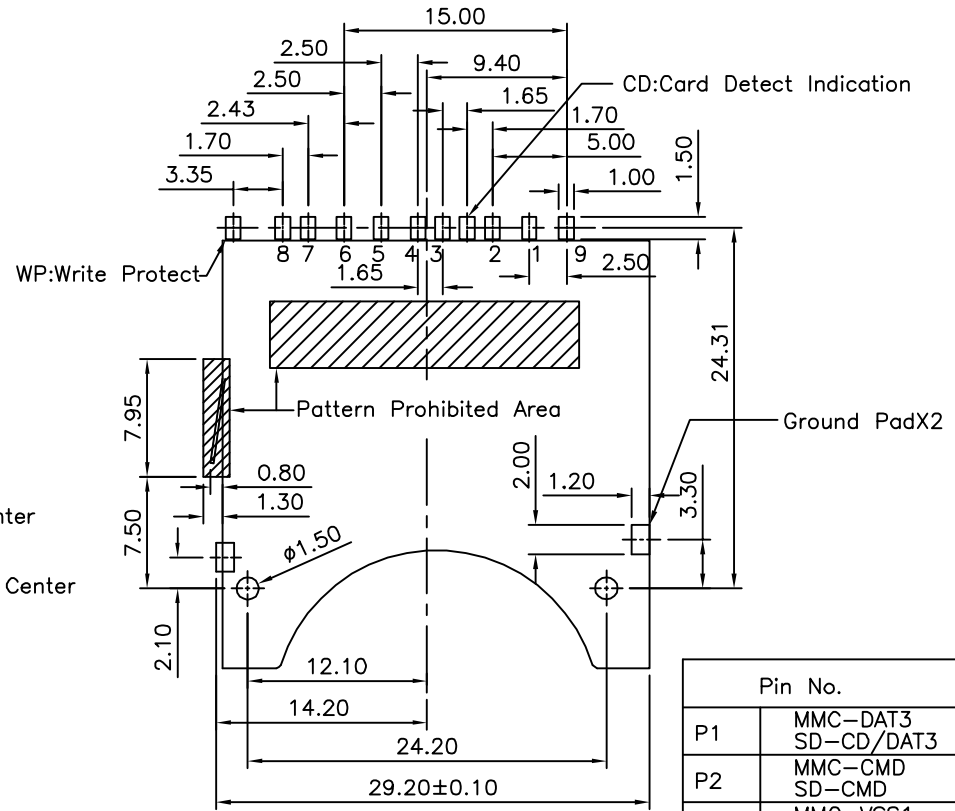
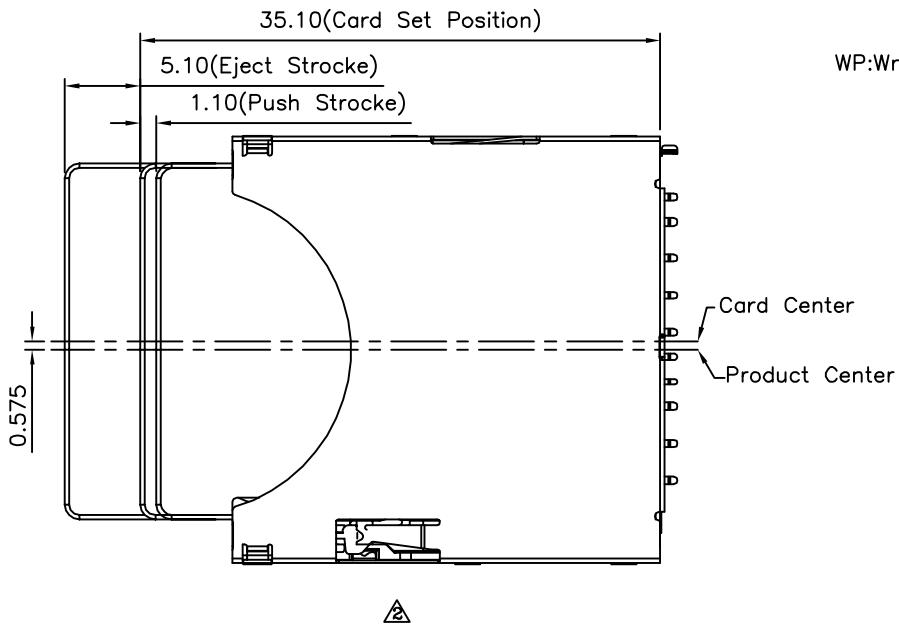
SPECIFICATION

- 1.General Characteristics**
SD Card 9P SMT 90° Push Push Type
Standoff 0.0/mm Normal
- 2.Material&Finish**
Insulator:LCP(UL94V-0),Black
Contact:Phosphor Bronze,Selective Gold Flash On
Contact Area,Tin Plated On Solder Tails,Over Nickel
Shell:Stainless,Nickel Plated
Gold Flash On Solder Tails
Ground:Phosphor Bronze,Tin Plated
- 3.Electrical Characteristics**
Current Rating:0.5A
Operating Voltage:250V AC/DC
Contact Resistance:100 Milliohms Max.
Insulation Resistance:1000 Megaohms Min. At 250V DC
Dielectric Withstanding Voltage:500V AC/Minute
- 4.Mechanical Characteristics**
Mating Cycles:10000 Cycles, Spring Is Not Breaking
- 5.Environmental Characteristics**
Operating Temperature:-40°C~+65°C
- 6.RoHS Compliant**

4UCON 元化興業股份有限公司
4UCON TECHNOLOGY INC.

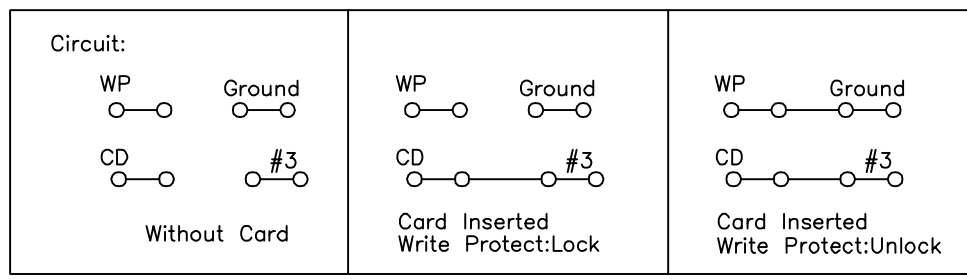
DRAWING No.		APPROVED BY		UNLESS OTHERWISE SPECIFIED TOLERANCES ARE
19608		MEI		
		HZF		
		DRAWING BY		X. ±0.50 X.* ±5°
		SONG		.X ±0.25 .X.* ±2°
				.XX ±0.15 .XX.* ±1°
SCALE	NONE	REV.	A2	UNIT
				mm

NO.	REV.	REVISIONS	CHK	DATE
△A2		Modify Data	HZF	05/09/2013
△A1		Modify Data	HZF	07/11/2012
△A0		NEW RELEASE	HZF	11/30/2011



△ Recommended P.C.B. Layout (All Tolerance Are ±0.05)

Pin No.		SD	MMC
P1	MMC-DAT3 SD-CD/DAT3	1P	1P
P2	MMC-CMD SD-CMD	2P	2P
P3	MMC-VSS1 SD-VSS1	3P	3P
P4	MMC-VDD SD-VDD	4P	4P
P5	MMC-CLK SD-CLK	5P	5P
P6	MMC-VSS2 SD-VSS2	6P	6P
P7	MMC-DAT0 SD-DAT0	7P	7P
P8	SD-DAT1	8P	—
P9	SD-DAT2	9P	—



4UCON 元化興業股份有限公司
4UCON TECHNOLOGY INC.

DRAWING No. 19608
SCALE NONE

APPROVED BY MEI
CHECKED BY HZF
DRAWING BY SONG
REV. A2

UNLESS OTHERWISE SPECIFIED TOLERANCES ARE
X. ±0.50 X.* ±5*
.X ±0.25 .X* ±2*
.XX ±0.15 .XX* ±1*

NO.	REV.	REVISIONS	CHK	DATE
△A2		Modify Data	HZF	05/09/2013
△A1		Modify Data	HZF	07/11/2012
△A0		NEW RELEASE	HZF	11/30/2011