



Chipsmall Limited consists of a professional team with an average of over 10 year of expertise in the distribution of electronic components. Based in Hongkong, we have already established firm and mutual-benefit business relationships with customers from,Europe,America and south Asia,supplying obsolete and hard-to-find components to meet their specific needs.

With the principle of “Quality Parts,Customers Priority,Honest Operation,and Considerate Service”,our business mainly focus on the distribution of electronic components. Line cards we deal with include Microchip,ALPS,ROHM,Xilinx,Pulse,ON,Everlight and Freescale. Main products comprise IC,Modules,Potentiometer,IC Socket,Relay,Connector.Our parts cover such applications as commercial,industrial, and automotives areas.

We are looking forward to setting up business relationship with you and hope to provide you with the best service and solution. Let us make a better world for our industry!



Contact us

Tel: +86-755-8981 8866 Fax: +86-755-8427 6832

Email & Skype: info@chipsmall.com Web: www.chipsmall.com

Address: A1208, Overseas Decoration Building, #122 Zhenhua RD., Futian, Shenzhen, China





OLED 2828 color display module(.NET Gadgeteer Compatible) (SKU:TOY0005)



Contents

- 1 Instruction
- 2 Specification
- 3 Pins Identification
- 4 Product Size
- 5 SPI Sequence Diagram
- 6 Commands List
- 7 Application in Arduino
 - 7.1 Connecting Diagram
 - 7.2 Sample Code
 - 7.3 More

Instruction

An OLED display works without a backlight. Thus, it can display deep black levels and can be thinner and lighter than a liquid crystal display (LCD). In low ambient light conditions such as a dark room an OLED screen can achieve a higher contrast ratio than an LCD. OLED technology is used in commercial applications such as displays for mobile phones and portable digital media players, car radios and digital cameras among others.

Support arduino controller and .NET Gadgeteer-compatible mainboard

Specification

- Working Voltage : 3.3V, 5V
- 262,144 Colors(max)

- 128×128 RGB pixel resolution
- Interface : SPI or Gadgeteer
- temperature : -30°C ~ +70°C
- OLED Size : 26.855 × 26.864(mm)
- Module Size : 52.00 × 42.00(mm)
- Weight : 20 g
- Size : 1.5 inch
- Driver IC : SSD1351

Pins Identification

***Arduino port :**

- 1、 3.3 : Logic power3.3V
- 2、 5V : OLED power 5V (through boost circuit to supply 13V to screen)
- 3、 G : GND
- 4、 RST : reset
- 5、 SCK : SCK
- 6、 SI : MOSI
- 7、 CS : Chip Select
- 8、 DC : D/C

***Gadgeteer port :**

PIN1:3.3V

PIN2:5V

PIN3:NC

PIN4:RST

PIN5:DC

PIN6:CS

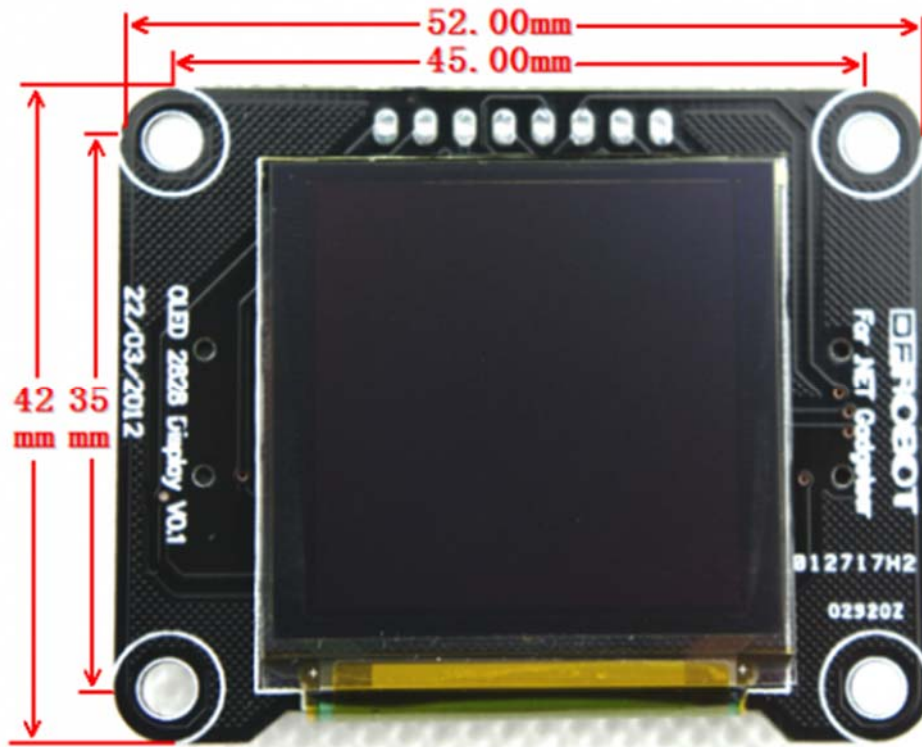
PIN7:SI

PIN8:NC

PIN9:SCK

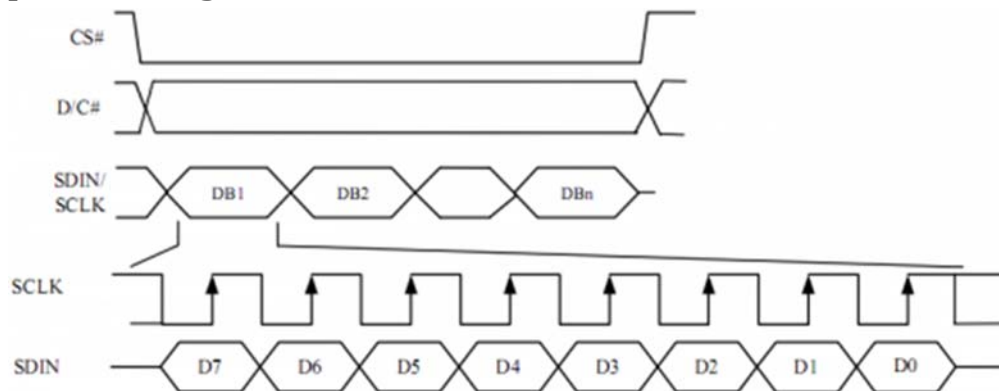
PIN10:G

Product Size



Product Size

SPI Sequence Diagram



Sequence Diagram

Commands List

The address of rows and columns and the display mode can be changed by setting command. For more detail refer to SSD1351.pdf **page 32~46**.

[SSD1351.pdf](#)

We will simply explain these above-mentioned commands through the example Set Re-map / Color Depth (Display RAM to Panel) in Page 32 :

A[7:6] Set Color Depth

00b 256 color

01b 65K color, [reset]

10b 262k color, 8/18-bit,16 bit (1stoption) MCU interface

11b 262k color, 16 - bit MCU interface (2ndoption)

With different mode, there are different bits for each pixel data as you can see below (refer to SSD1351.pdf **Page 21,22**)

For example: if written A[7:6]=01b to choose 65K color mode, we use 2 8-bit data to determine a pixel in which C0~C4 represents R、 B0~B5 represents G, A0~A4 represents B.

Bus width	Color Depth	Input order	D17	D16	D15	D14	D13	D12	D11	D10	D9	D8	D7	D6	D5	D4	D3	D2	D1	D0
8 bits/Serial	65k	1st	X	X	X	X	X	X	X	X	X	X	C4	C3	C2	C1	C0	B5	B4	B3
		2nd	X	X	X	X	X	X	X	X	X	X	X	B2	B1	B0	A4	A3	A2	A1
8 bits/Serial	262k	1st	X	X	X	X	X	X	X	X	X	X	X	X	C5	C4	C3	C2	C1	C0
		2nd	X	X	X	X	X	X	X	X	X	X	X	X	B5	B4	B3	B2	B1	B0
		3rd	X	X	X	X	X	X	X	X	X	X	X	X	X	A5	A4	A3	A2	A1
16 bits	65k		X	X	C4	C3	C2	C1	C0	B5	B4	B3	B2	B1	B0	A4	A3	A2	A1	A0
16 bits	262k format 1	1st	X	X	X	X	X	X	X	X	X	X	X	X	C5	C4	C3	C2	C1	C0
		2nd	X	X	X	X	B5	B4	B3	B2	B1	B0	X	X	A5	A4	A3	A2	A1	A0
16 bits	262k format 2	1st	X	X	X	X	C15	C14	C13	C12	C11	C10	X	X	B15	B14	B13	B12	B11	B10
		2nd	X	X	X	X	A15	A14	A13	A12	A11	A10	X	X	C25	C24	C23	C22	C21	C20
		3rd	X	X	X	X	B25	B24	B23	B22	B21	B20	X	X	A25	A24	A23	A22	A21	A20
18 bits	262k		C5	C4	C3	C2	C1	C0	B5	B4	B3	B2	B1	B0	A5	A4	A3	A2	A1	A0

A[2] Set Color Sequence

A[2]=0b, Color sequence: A-B-C [reset]

A[2]=1b, Color sequence is swapped: C-B-A

So , in depth 65k color with sequence C-B-A(RGB) mode , we can write data 0xf8,0x00 to make the screen red; and in sequence A-B-C(BGR) with same depth ,write 0x00, 0x1f to

make screen red.

Application in Arduino

Connecting Diagram

```
Board  ———  uno
3.3   ———  3.3V
5V    ———  5V
G     ———  GND
RST   ———  D7
SCK   ———  D13
SI    ———  D11
CS    ———  D8
DC    ———  D9
```

Sample Code

```
#include "U8glib.h"

U8GLIB_SSD1351_128X128_332 u8g(13, 11, 8, 9, 7); // Arduino UNO: SW SPI Com:
SCK = 13, MOSI = 11, CS = 8, DC = 9, RESET = 7 (http://electronics.ilsoft.co.uk/ArduinoShield.aspx)

void draw(void) {
    // graphic commands to redraw the complete screen should be placed here
    u8g.setFont(u8g_font_unifont);
    //u8g.setFont(u8g_font_osb21);
    u8g.drawStr( 0, 22, "Hello World!");
}

void setup(void) {

    // flip screen, if required
    // u8g.setRot180();
}
```

```

// set SPI backup if required
//u8g.setHardwareBackup(u8g_backup_avr_spi);

// assign default color value
if ( u8g.getMode() == U8G_MODE_R3G3B2 ) {
    u8g.setColorIndex(255);    // white
}
else if ( u8g.getMode() == U8G_MODE_GRAY2BIT ) {
    u8g.setColorIndex(3);      // max intensity
}
else if ( u8g.getMode() == U8G_MODE_BW ) {
    u8g.setColorIndex(1);      // pixel on
}
else if ( u8g.getMode() == U8G_MODE_HICOLOR ) {
    u8g.setHiColorByRGB(255,255,255);
}
}

void loop(void) {
    // picture loop
    u8g.firstPage();
    do {
        draw();
    } while( u8g.nextPage() );

    // rebuild the picture after some delay
    delay(500);
}

```