



Chipsmall Limited consists of a professional team with an average of over 10 year of expertise in the distribution of electronic components. Based in Hongkong, we have already established firm and mutual-benefit business relationships with customers from,Europe,America and south Asia,supplying obsolete and hard-to-find components to meet their specific needs.

With the principle of “Quality Parts,Customers Priority,Honest Operation,and Considerate Service”,our business mainly focus on the distribution of electronic components. Line cards we deal with include Microchip,ALPS,ROHM,Xilinx,Pulse,ON,Everlight and Freescale. Main products comprise IC,Modules,Potentiometer,IC Socket,Relay,Connector.Our parts cover such applications as commercial,industrial, and automotives areas.

We are looking forward to setting up business relationship with you and hope to provide you with the best service and solution. Let us make a better world for our industry!



Contact us

Tel: +86-755-8981 8866 Fax: +86-755-8427 6832

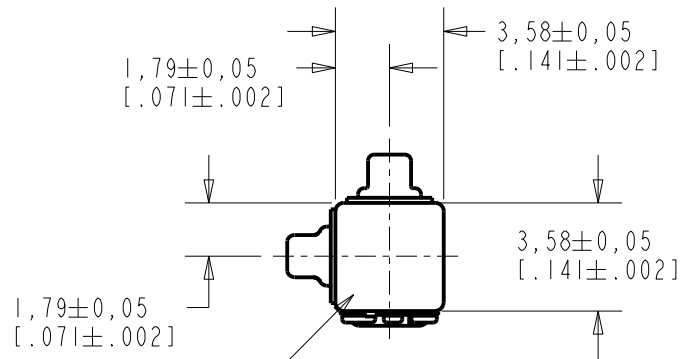
Email & Skype: info@chipsmall.com Web: www.chipsmall.com

Address: A1208, Overseas Decoration Building, #122 Zhenhua RD., Futian, Shenzhen, China

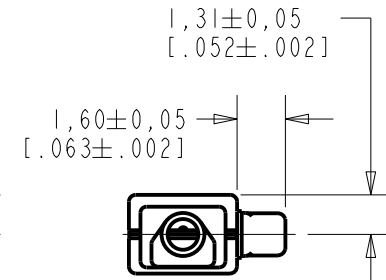
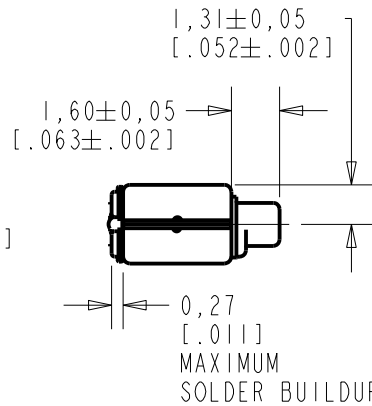
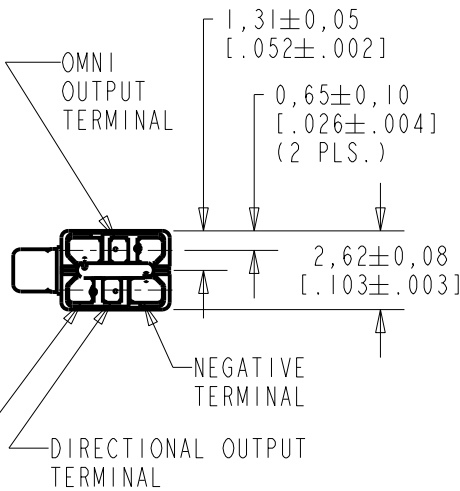


TP-24617-000

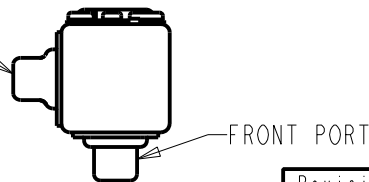
SHT 1.1



LASER MARK ON THIS SURFACE



REAR PORT AND FRONT OMNI PORT



NOMINAL WEIGHT
.126 GRAMS

DIMENSIONS IN MILLIMETERS [INCHES]

Revision	C.O. #	Implementation Date	RELEASE LEVEL	REVISION
C	MI0103591	5-11-10	Active	C
B	MI0100943	2-10-06		
A	MI0100740	7-27-05		

SCALE:

4:1

DO NOT SCALE DRAWING

TITLE:

MICROPHONE

TP-24617-000

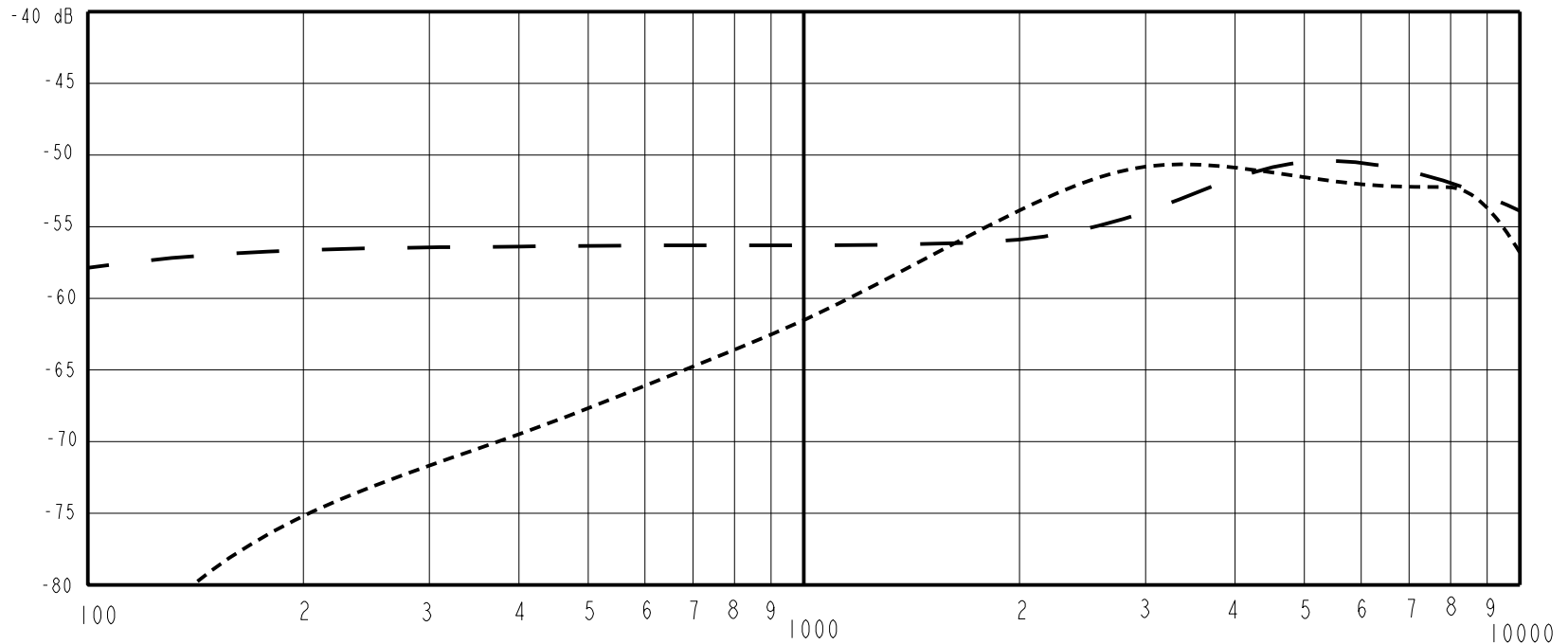
OUTLINE DRAWING

SHT 1.1

DR. BY	DATE
MMM	7-27-05
CK. BY	DATE
GJP	7-28-05
APP. BY	DATE
GJP	7-28-05

KNOWLES ELECTRONICS
ITASCA, ILLINOIS U.S.A.

SENSITIVITY IN dB RELATIVE TO 1.0 VOLT/0.1 Pu (N/M²)
FOR CONDITIONS SHOWN BELOW.



RANGE OF DEVIATION FROM 1 KHz

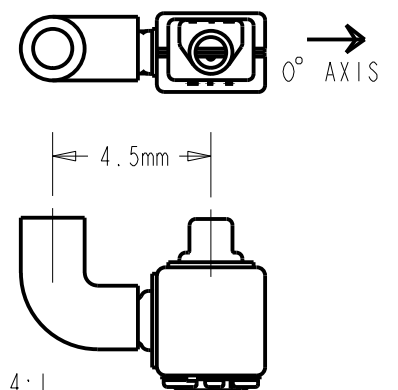
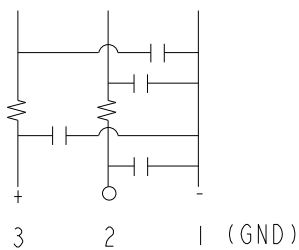
OMNI	100	---	-58.0	---	-5.0	0.0
DIRECTIONAL	1000	-60.0	-57.0	-54.0	0.0	0.0
	~8500	---	-50.0	---	+4.0	+10.0
SENSITIVITY AT 1 KHz DIRECTIONAL re OMNIDIRECTIONAL					-0.5 dB	-4.5 dB
DIRECTIONAL	100	---	-70.5	---	-7.5	-13.5
0° ON AXIS	1000	-63.0	-60.0	-57.0	0.0	0.0
	~4000	---	-51.0	---	+6.0	+12.0

INTERNAL DELAY 8.3uS 10.3uS 12.3uS

- NOTES:
- CASE CONNECTED TO NEGATIVE TERMINAL.
 - MICROPHONE TO BE FUNCTIONAL WITH 1.6 VDC SUPPLY.
 - TYPICAL SENSITIVITY TO HUMIDITY AT 1000Hz IS 0.03 dB/%RH (OMNI), 0.07 dB/%RH (DIRECTIONAL).
 - SENSITIVITY AND NOISE VALUES INDICATED ON THIS SPECIFICATION ARE VALID AT 50% HUMIDITY.
 - CAPACITANCE MEASUREMENT MADE WITH BOONTON MODEL 7200 OR EQUIVALENT WITH APPLIED AC VOLTAGE OF 15 mVOLTS AT 1 MHz AND 0 VDC. INCLUDES CIRCUIT CAPACITANCE IN PARALLEL WITH CAPACITOR.
 - MICROPHONE TESTED WITH RIGHT ANGLE TUBE 1mm INTERNAL DIAMETER GIVING A PORT SPACING OF 4.5 mm (SEE DIAGRAM).

PORT LOCATION	DC SUPPLY	AMPLIFIER CURRENT DRAIN	SENSITIVITY CHANGE ON REDUCING SUPPLY TO 0.9VDC	OMNIDIRECTIONAL "A" WEIGHTED NOISE (1 kHz EQUIV. SPL)	DIRECTIONAL	OUTPUT IMPEDANCE OHMS (EACH HALF)			CAPACITANCE ±50%	
						MIN.	NOM.	MAX.	1-2 HALF	1-3 BOTH
12S, 9S	1.3V	100 µA MAX. FOR PAIR	3 dB MAX.	29.0 MAX.	-96.0 dB MAX. re MAX. re 1V	2800	4400	6800	13pF	26pF

CAPACITANCE PROBE POINTS



Revision	C.O. #	Implementation Date	RELEASE LEVEL	REVISION
C	M10103591	5-11-10	Active	C
B	M10100943	2-10-06		
A	M10100740	7-27-05		

KNOWLES ELECTRONICS
ITASCA, ILLINOIS U.S.A.

WHEN TEST LIMITS ARE USED TO ESTABLISH INCOMING INSPECTION ACCEPTANCE/REJECTION CRITERIA, CORRELATION OF TEST EQUIPMENT WITH KNOWLES IS ALSO REQUIRED FOR ELIMINATION OF EQUIPMENT AND TEST METHOD VARIATION

TITLE: **MICROPHONE** **TP-24617-000**
PERFORMANCE SPECIFICATION **SHT 2.1**

DR. BY	DATE
MMM	7-27-05
CK. BY	DATE
GJP	7-28-05
APP. BY	DATE
GJP	7-28-05