



Chipsmall Limited consists of a professional team with an average of over 10 year of expertise in the distribution of electronic components. Based in Hongkong, we have already established firm and mutual-benefit business relationships with customers from,Europe,America and south Asia,supplying obsolete and hard-to-find components to meet their specific needs.

With the principle of “Quality Parts,Customers Priority,Honest Operation,and Considerate Service”,our business mainly focus on the distribution of electronic components. Line cards we deal with include Microchip,ALPS,ROHM,Xilinx,Pulse,ON,Everlight and Freescale. Main products comprise IC,Modules,Potentiometer,IC Socket,Relay,Connector.Our parts cover such applications as commercial,industrial, and automotives areas.

We are looking forward to setting up business relationship with you and hope to provide you with the best service and solution. Let us make a better world for our industry!



## Contact us

Tel: +86-755-8981 8866 Fax: +86-755-8427 6832

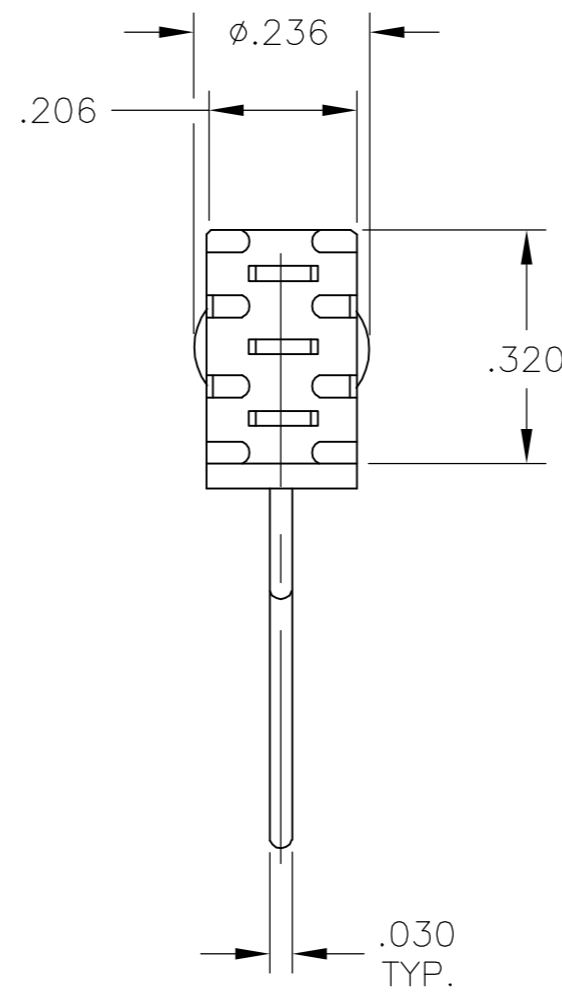
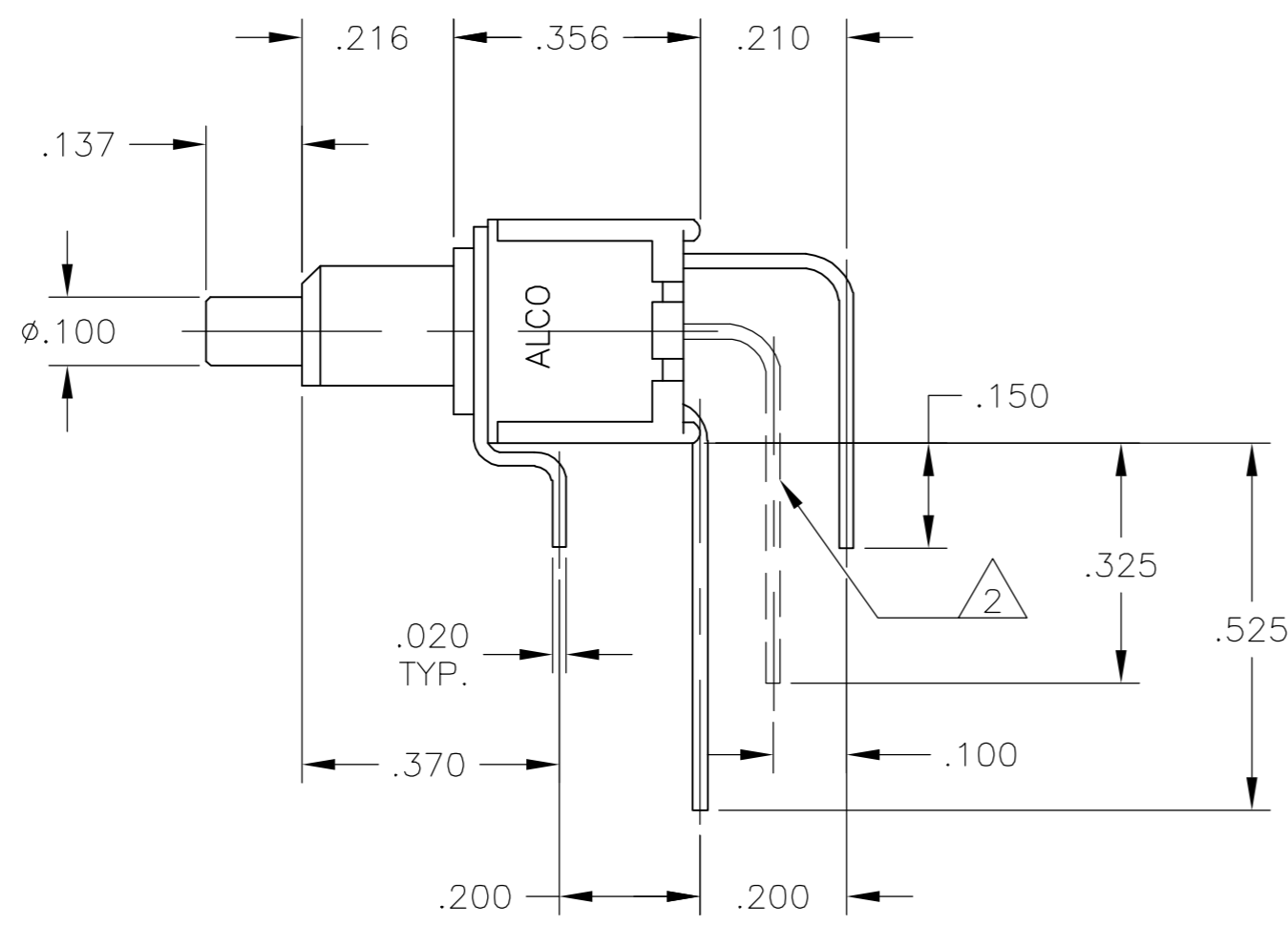
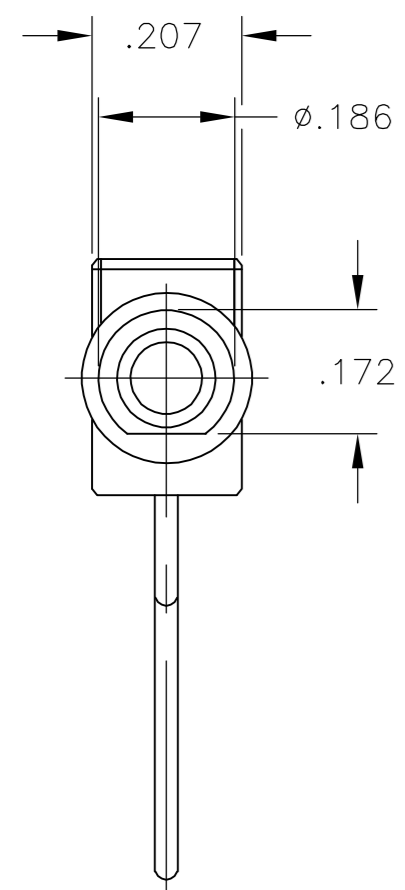
Email & Skype: info@chipsmall.com Web: www.chipsmall.com

Address: A1208, Overseas Decoration Building, #122 Zhenhua RD., Futian, Shenzhen, China



THIS DRAWING IS UNPUBLISHED. RELEASED FOR PUBLICATION  
 © COPYRIGHT BY TYCO ELECTRONICS CORPORATION. ALL RIGHTS RESERVED.

LOC		DIST		REVISIONS			
P	LTR	DESCRIPTION		DATE	DWN	APVD	
B		ECO 06 000585		09AUG06	BSV	MZ	



**SPECIFICATIONS:**

**MATERIALS:**

CASE: HIGH TEMPERATURE POLYESTER.  
 ACTUATOR: POLYIMIDE. COLOR: SEE BELOW.  
 MOVING CONTACT: COPPER ALLOY: GOLD OVER NICKEL PLATE.  
 FIXED CONTACT: COPPER ALLOY. TIN/LEAD OVER NICKEL PLATE.  
 TERMINAL: COPPER ALLOY. TIN/LEAD OVER NICKEL PLATE.  
 TERMINAL SEAL: EPOXY.

**ELECTRICAL:**

CONTACT RATING: 0.4 VA MAX. @ 20 VDC OR PEAK AC.  
 INITIAL CONTACT RESISTANCE: 20 MILLIOHMS MAX.  
 INSULATION RESISTANCE: 1,000 MEGHMOHMS @ 500 VDC MIN.  
 DIELECTRIC STRENGTH: 1,000 VOLTS @ SEA LEVEL.  
 LIFE EXPECTANCY: 60,000 CYCLES.

**MECHANICAL:**

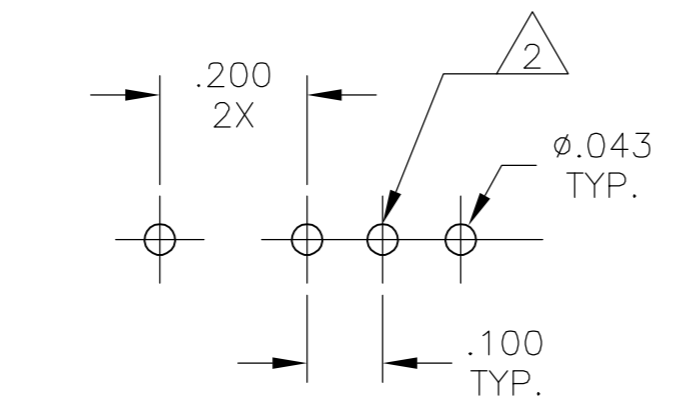
ACTUATION FORCE: 50 TO 400 GRAMS.  
 ACTUATION TRAVEL: .030" APPROX.

**ENVIRONMENTAL:**

OPERATING TEMPERATURE: -22°F TO +149°F (-30°C TO +65°C)  
 STORAGE TEMPERATURE: -22°F TO +149°F (-30°C TO +65°C)

**NOTES:**

- INTERPRET DRAWING PER ANSI Y14.5M-1982.
- CENTER TERMINAL FOR "F" FUNCTION SWITCHES ONLY.



RECOMMENDED HOLE LAYOUT  
 TOLERANCE ±.002 UNLESS  
 OTHERWISE NOTED.

(*)	BUTTON COLOR
(0)	BLACK
(2)	RED
(6)	BLUE

TERMINALS CONNECTED WHEN BUTTON IS IN POSITION SHOWN.		
FUNCTION CODE		
C	(1-3)	OFF
F	(2-3)	(2-1)
( ) - INDICATES A MOMENTARY CIRCUIT		
TERMINAL DESIGNATIONS ARE FOR REFERENCE ONLY AND DO NOT APPEAR IN THE SWITCHES.		

THIS DRAWING IS A CONTROLLED DOCUMENT.		DWN	S.STARNES.	22FEB00	 Tyco Electronics Corporation Harrisburg, Pa 17105-3608			
DIMENSIONS: INCHES		CHK	S.STARNES.	22FEB00				
TOLERANCES UNLESS OTHERWISE SPECIFIED:		APVD	-	-	NAME <b>PUSH BUTTON SWITCH</b> TPB11 *GVRA (*)			
0 PLC ± -		PRODUCT SPEC	-	-				
1 PLC ± -		APPLICATION SPEC	-	-	SIZE	CAGE CODE	DRAWING NO	RESTRICTED TO
2 PLC ± -		WEIGHT	-	-	A2	00779	C=6-1437571-3	-
3 PLC ± .010		CUSTOMER DRAWING		SCALE	4:1	SHEET	1 OF 1	REV
4 PLC ± -								B
ANGLES ± 1°								
FINISH								
SEE SPECIFICATIONS								

6-1437571-3