



Chipsmall Limited consists of a professional team with an average of over 10 year of expertise in the distribution of electronic components. Based in Hongkong, we have already established firm and mutual-benefit business relationships with customers from,Europe,America and south Asia,supplying obsolete and hard-to-find components to meet their specific needs.

With the principle of “Quality Parts,Customers Priority,Honest Operation,and Considerate Service”,our business mainly focus on the distribution of electronic components. Line cards we deal with include Microchip,ALPS,ROHM,Xilinx,Pulse,ON,Everlight and Freescale. Main products comprise IC,Modules,Potentiometer,IC Socket,Relay,Connector.Our parts cover such applications as commercial,industrial, and automotives areas.

We are looking forward to setting up business relationship with you and hope to provide you with the best service and solution. Let us make a better world for our industry!



Contact us

Tel: +86-755-8981 8866 Fax: +86-755-8427 6832

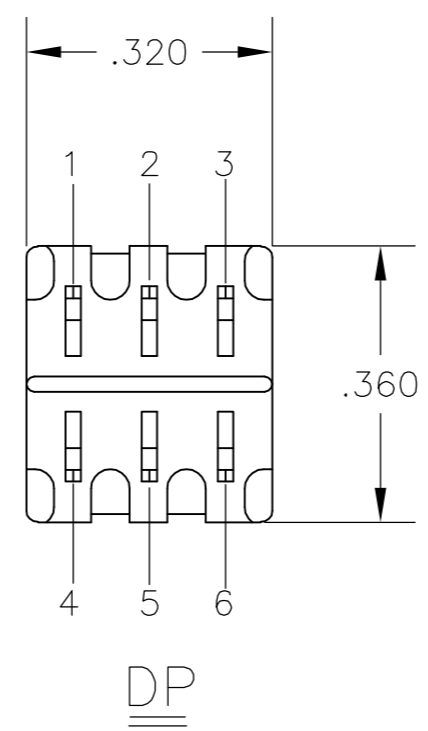
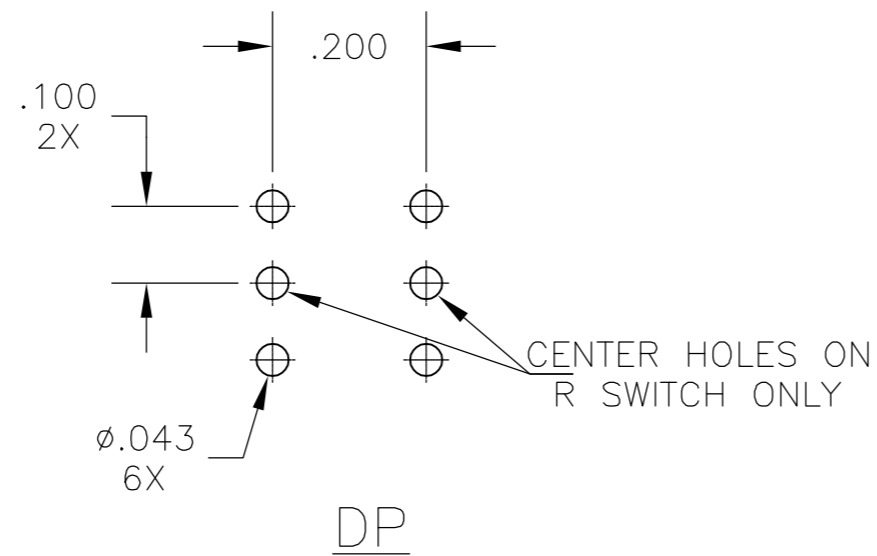
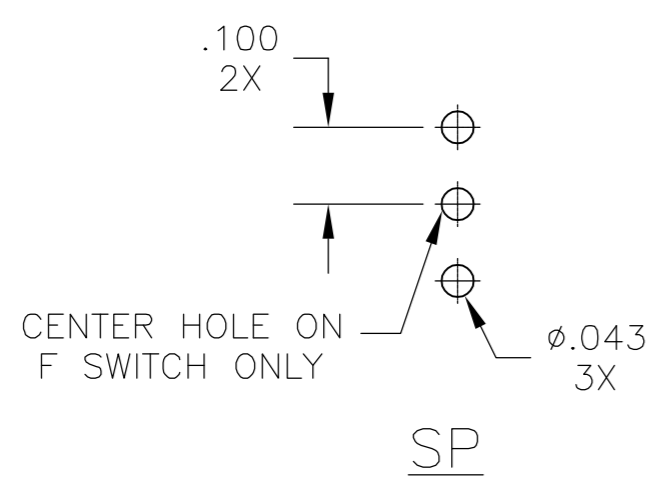
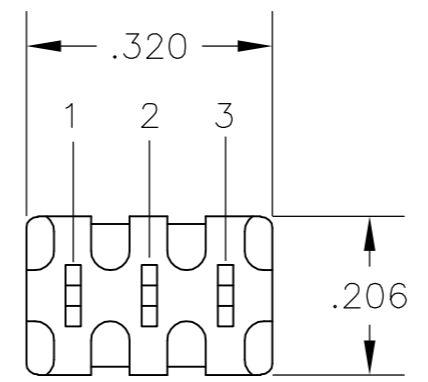
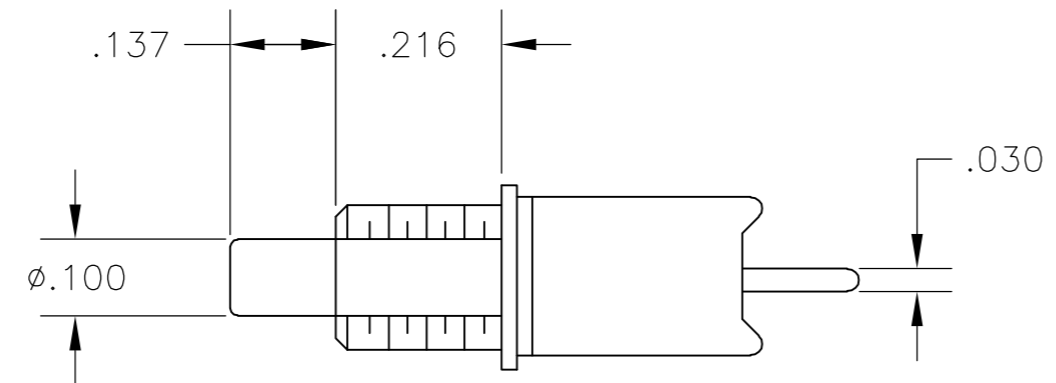
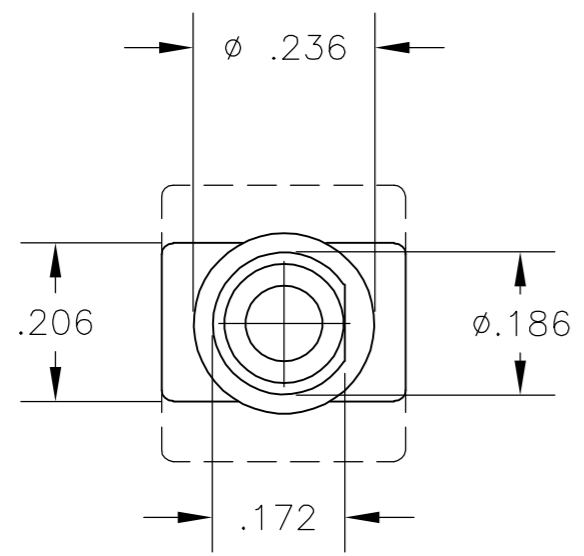
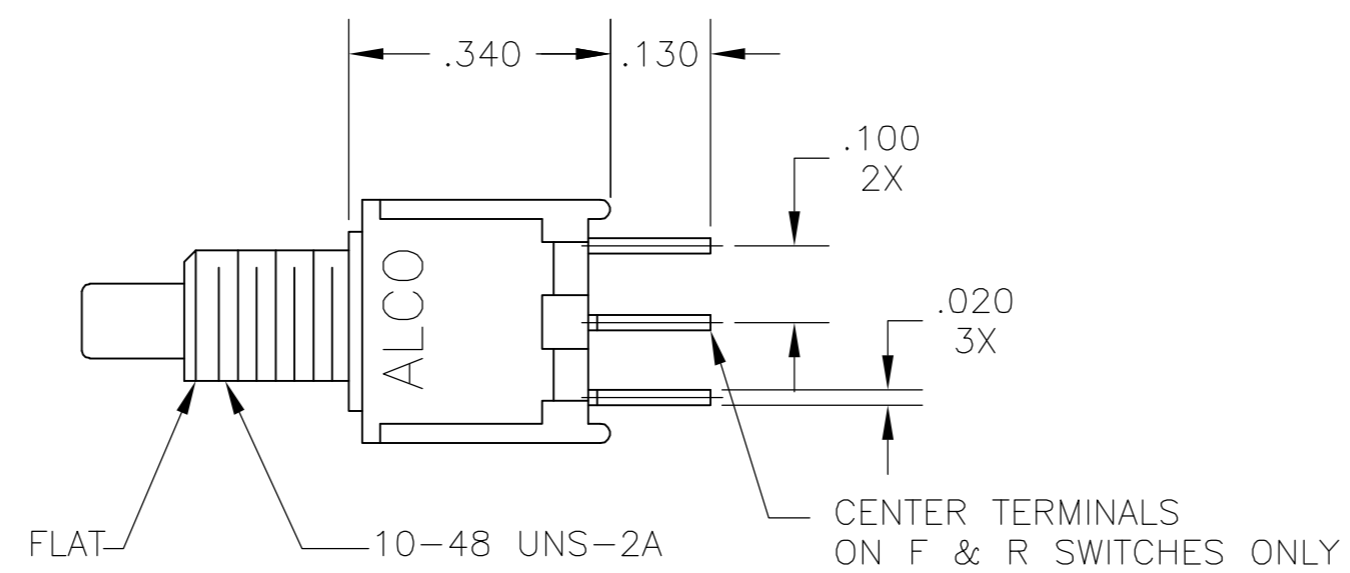
Email & Skype: info@chipsmall.com Web: www.chipsmall.com

Address: A1208, Overseas Decoration Building, #122 Zhenhua RD., Futian, Shenzhen, China



THIS DRAWING IS UNPUBLISHED. RELEASED FOR PUBLICATION
 © COPYRIGHT BY TYCO ELECTRONICS CORPORATION. ALL RIGHTS RESERVED.

LOC		DIST		REVISIONS			
P	LTR	DESCRIPTION	DATE	DWN	APVD		
B		ECO-06-000585	10AUG06	BSV	MK		



RECOMMENDED HOLE LAYOUT
 TOLERANCE $\pm .002$ UNLESS OTHERWISE NOTED

(*)	ACTUATOR BUTTON COLORS
(0)	BLACK
(2)	RED
(6)	BLUE

SPECIFICATIONS:

MATERIALS:

CASE: HIGH TEMPERATURE POLYESTER.
 ACTUATOR BUTTON: POLYAMIDE, COLOR: SEE CHART BELOW.
 MOVING CONTACT: COPPER ALLOY, GOLD OVER NICKEL PLATE.
 FIXED CONTACT/TERMINAL: COPPER ALLOY. TIN/LEAD PLATE.
 TERMINAL SEAL: EPOXY.

ELECTRICAL:

CONTACT RATING: 0.4 VA MAX. @ 20 VDC OR PEAK AC.
 INITIAL CONTACT RESISTANCE: 20 MILLIOHMS MAX.
 INSULATION RESISTANCE: 1.000 MEGOHMS @ 500 VDC MIN.
 DIELECTRIC STRENGTH: 1.000 VOLTS RMS @ SEA LEVEL.
 LIFE EXPECTANCY: 100.000 CYCLES.

MECHANICAL:

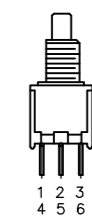
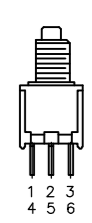
ACTUATION FORCE: 50 TO 400 GRAMS.
 ACTUATION TRAVEL: .030".

ENVIRONMENTAL:

OPERATING TEMPERATURE: -22°F TO +149°F (-30°C TO +65°C)
 STORAGE TEMPERATURE: -22°F TO +149°F (-30°C TO +65°C)

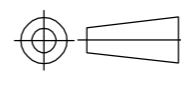
NOTES:

1. INTERPRET DRAWING PER ANSI Y14.5M-1982.
2. MOUNTING HARDWARE SUPPLIED: (1) LOCKWASHER
(1) HEX NUT.

TERMINALS CONNECTED WITH BUTTON IN POSITIONS SHOWN.		
MODEL NO.		
TPC21RG-PC (*)	2 TO 1 (MOM) 5 TO 4	2 TO 3 (MOM) 5 TO 6
TPC21RG-PC (*)	OFF	1 TO 3 (MOM) 4 TO 6
TPC11FG-PC (*)	2 TO 1	2 TO 3 (MOM)
TPC11CG-PC (*)	OFF	1 TO 3 (MOM)

NOTE:
 DESIGNATION NUMBERS ARE FOR REFERENE ONLY AND DO NOT APPEAR ON THE SWITCHES

AUGAT D/N 40313-SD

THIS DRAWING IS A CONTROLLED DOCUMENT.		DWN S.KIRCORIAN 03OCT96	tyco Electronics Tyco Electronics Corporation Harrisburg, Pa 17105-3608	
DIMENSIONS: INCHES	TOLERANCES UNLESS OTHERWISE SPECIFIED:	CHK -	APVD -	NAME
	0 PLC ± - 1 PLC ± - 2 PLC ± - 3 PLC ± .010 4 PLC ± - ANGLES ± -	PRODUCT SPEC -	APPLICATION SPEC -	PRODUCT SPEC PUSHBUTTON SWITCH SP & DP PC (TPC11-PC & TPC21-PC)
MATERIAL SEE SPECIFICATIONS	FINISH SEE SPECIFICATIONS	WEIGHT -	SIZE A2	CAGE CODE 00779
CUSTOMER DRAWING		SCALE 4:1	DRAWING NO. C=1437572-3	RESTRICTED TO -
			SHEET 1 OF 1	REV B

1437572-3