



Chipsmall Limited consists of a professional team with an average of over 10 year of expertise in the distribution of electronic components. Based in Hongkong, we have already established firm and mutual-benefit business relationships with customers from,Europe,America and south Asia,supplying obsolete and hard-to-find components to meet their specific needs.

With the principle of “Quality Parts,Customers Priority,Honest Operation,and Considerate Service”,our business mainly focus on the distribution of electronic components. Line cards we deal with include Microchip,ALPS,ROHM,Xilinx,Pulse,ON,Everlight and Freescale. Main products comprise IC,Modules,Potentiometer,IC Socket,Relay,Connector.Our parts cover such applications as commercial,industrial, and automotives areas.

We are looking forward to setting up business relationship with you and hope to provide you with the best service and solution. Let us make a better world for our industry!



Contact us

Tel: +86-755-8981 8866 Fax: +86-755-8427 6832

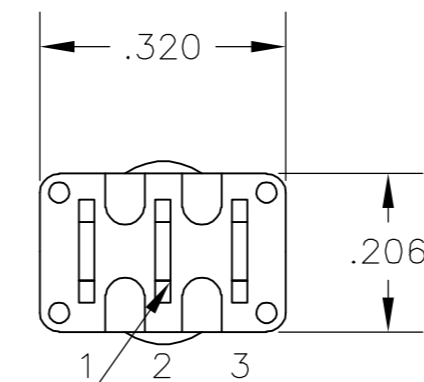
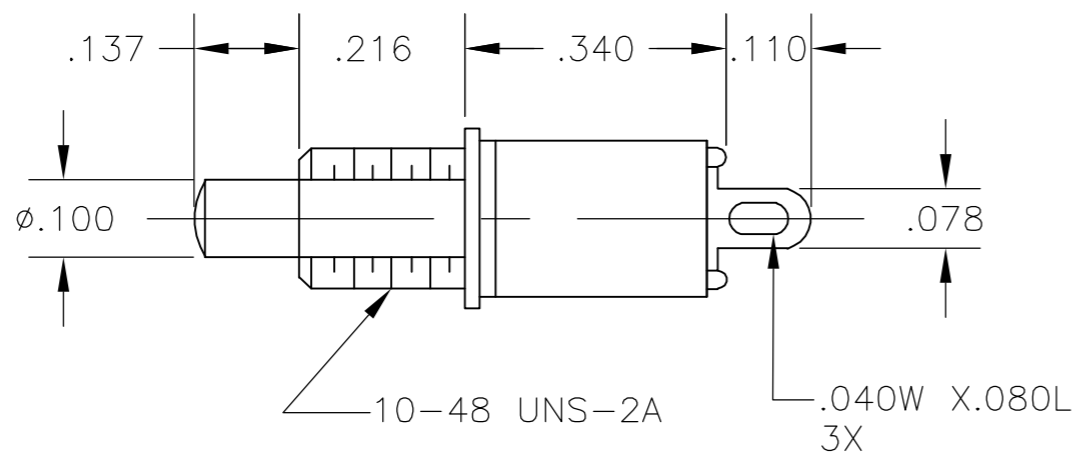
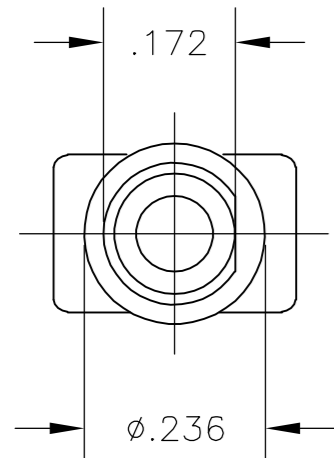
Email & Skype: info@chipsmall.com Web: www.chipsmall.com

Address: A1208, Overseas Decoration Building, #122 Zhenhua RD., Futian, Shenzhen, China



THIS DRAWING IS UNPUBLISHED. RELEASED FOR PUBLICATION
 © COPYRIGHT BY TYCO ELECTRONICS CORPORATION. ALL RIGHTS RESERVED.

| LOC | DIST | REVISIONS | | | |
|-----|------|-------------|---------------|---------|--------|
| P | LTR | DESCRIPTION | DATE | DWN | APVD |
| AD | 00 | B | ECO-06-000585 | 08AUG06 | BSV MZ |



CENTER TERMINALS NOT FURNISHED ON TPC13C*

SPECIFICATIONS

MATERIALS:

CASE: HIGH TEMPERATURE POLYESTER, UL 94V-0
 ACTUATOR BUTTON: THERMOPLASTIC, COLORS: SEE CHART BELOW.
 MOVING CONTACT: COPPER ALLOY, SILVER PLATED
 TERMINALS: COPPER ALLOY, TIN LEAD PLATED
 TERMINAL SEAL: SP EPOXY
 DP EPOXY OPTIONAL.

ELECTRICAL:

CONTACT RATING: SILVER = 1A @ 125 VAC OR 20 VDC.
 INITIAL CONTACT RESISTANCE: 20 MILLIOHMS MAX.
 INSULATION RESISTANCE: 1.000 MEGAOHMS @ 500 VDC MIN.
 DIELECTRIC STRENGTH: 1.000 VAC
 LIFE EXPECTENCY: SILVER: 1 POLE = 60.000 CYCLES
 2 POLE = 50.000 CYCLES

MECHANICAL:

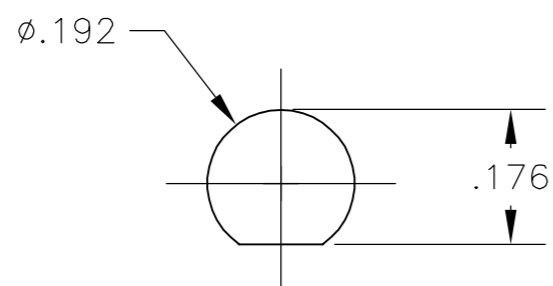
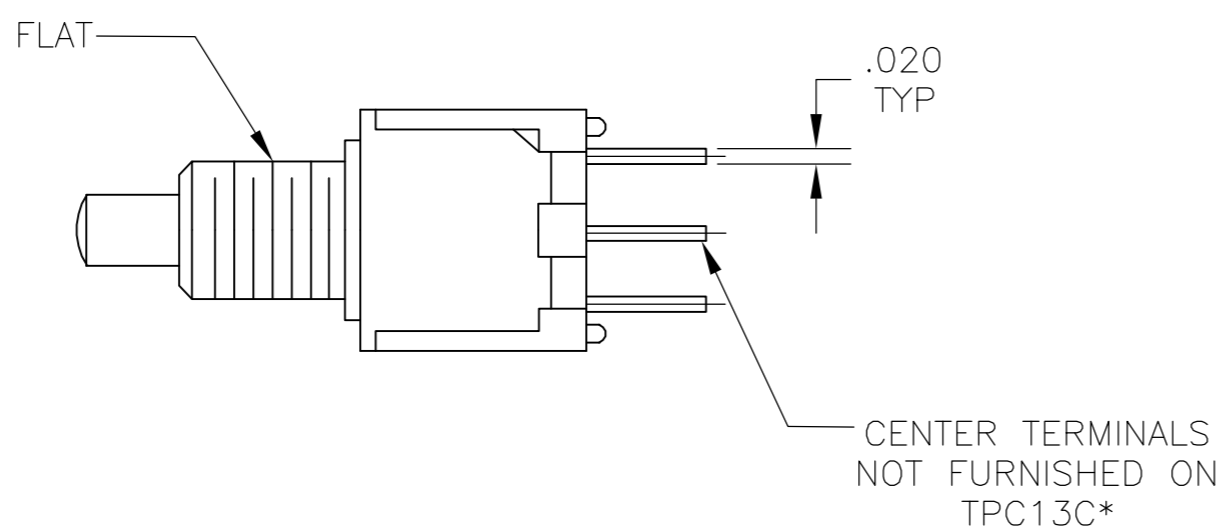
ACTUATION FORCE: 50 TO 400g.
 ACTUATION TRAVEL: .030 APPROX.

ENVIRONMENTAL:

OPENING TEMPERATURE: -22°F TO +149°F (-30°C TO +65°C).
 STORAGE TEMPERATURE: -22°F TO +149°F (-30°C TO +65°C).

NOTES:

- INTERPRET DRAWING PER ASME Y14.5M-1994
- SUPPLIED WITH MOUNTING HARDWARE



RECOMMENDED HOLE LAYOUT
 TOLERANCE ±.002 UNLESS OTHERWISE NOTED

| (*) | BUTTON COLORS |
|-----|---------------|
| (0) | BLACK |
| (2) | RED |
| (6) | BLUE |

AUGAT D/N 40013

| TERMINALS CONNECTED WITH BUTTONS IN POSITIONS SHOWN | | |
|---|--------|-------------|
| MODEL NO | | |
| TPC13C (*) | OFF | 3 TO 1(MOM) |
| TPC13F (*) | 2 TO 1 | 2 TO 3(MOM) |

NOTE:
 TERMINAL DESIGNATION NUMBERS ARE FOR REFERENCE ONLY AND DO NOT APPEAR ON SWITCHES

| | | | | |
|--|--|--------------------|---------|---|
| THIS DRAWING IS A CONTROLLED DOCUMENT. | | DWN DRM | 20MAR80 | Tyco Electronics Corporation Harrisburg, Pa 17105-3608 |
| DIMENSIONS: INCHES | | CHK C. BUCKHEIT | 21MAR80 | |
| TOLERANCES UNLESS OTHERWISE SPECIFIED: | | APVD KJ | 21MAR80 | NAME PUSHBUTTON SWITCH TPC13 SERIES |
| 0 PLC ± - 1 PLC ± - 2 PLC ± - 3 PLC ± .010 4 PLC ± - ANGLES ± - | | PRODUCT SPEC | - | |
| MATERIAL SEE SPECIFICATIONS | | FINISH | WEIGHT | SIZE |
| SEE SPECIFICATIONS | | SEE SPECIFICATIONS | - | CAGE CODE |
| CUSTOMER DRAWING | | SCALE 4:1 | | DRAWING NO |
| | | SHEET 1 OF 1 | | RESTRICTED TO |
| | | REV B | | |

2-1437572-2