

Chipsmall Limited consists of a professional team with an average of over 10 year of expertise in the distribution of electronic components. Based in Hongkong, we have already established firm and mutual-benefit business relationships with customers from,Europe,America and south Asia,supplying obsolete and hard-to-find components to meet their specific needs.

With the principle of “Quality Parts,Customers Priority,Honest Operation,and Considerate Service”,our business mainly focus on the distribution of electronic components. Line cards we deal with include Microchip,ALPS,ROHM,Xilinx,Pulse,ON,Everlight and Freescale. Main products comprise IC,Modules,Potentiometer,IC Socket,Relay,Connector.Our parts cover such applications as commercial,industrial, and automotives areas.

We are looking forward to setting up business relationship with you and hope to provide you with the best service and solution. Let us make a better world for our industry!

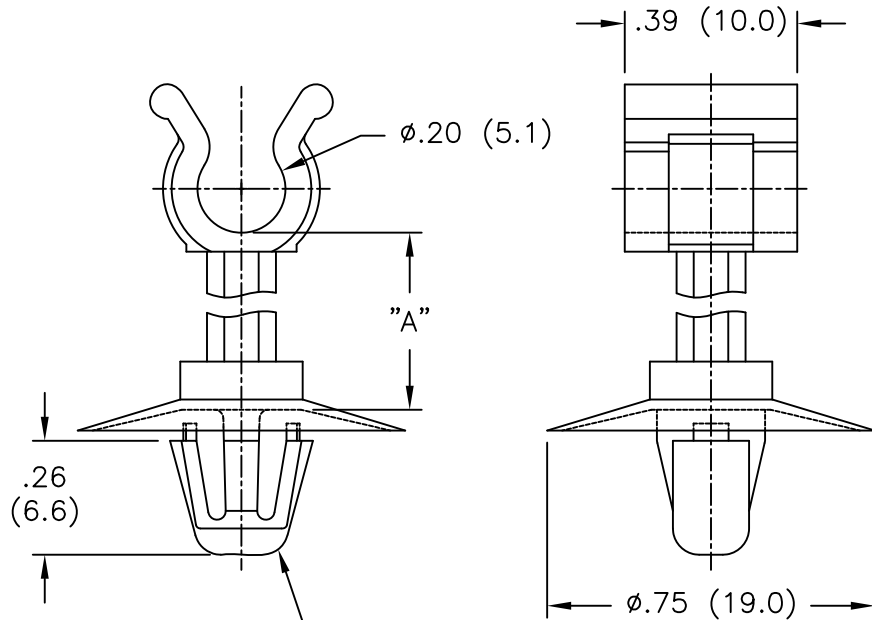


Contact us

Tel: +86-755-8981 8866 Fax: +86-755-8427 6832

Email & Skype: info@chipsmall.com Web: www.chipsmall.com

Address: A1208, Overseas Decoration Building, #122 Zhenhua RD., Futian, Shenzhen, China



TO SNAP LOCK INTO A
 $.256 \pm .003$ (6.5 ± 0.075), DIA. HOLE,
 IN A .031–.063 (0.8–1.6) THK. PANEL

NYLN 6/6 (RMS-01) COLOR: NATURAL PART NO.	FLAME RET. (RMS-19) COLOR: NATURAL PART NO.	DIM. "A"
TPCE5-5.1-4M-01	TPCE-5-5.1-4M-19	.16 (4.0)
TPCE5-5.1-6M-01	TPCE-5-5.1-6M-19	.24 (6.0)
TPCE5-5.1-8M-01	TPCE-5-5.1-8M-19	.31 (8.0)
TPCE5-5.1-10M-01	TPCE-5-5.1-10M-19	.39 (10.0)

NOTES:

1. STANDARD PACK QUANTITY: 1000

TITLE: TUBE & PIPE CLIP			DWG IN IN (MM)		FINAL		PRINT TYPE	
D	SEE CO 200773 FOR CHANGES	SK 04.30.12	FILE # TPCE5	DWN: JL	APP:	PART #		CA
C	CORRECTED TYPO ON FLAME RET. P/N	SM 06.11.02	MAT'L: SEE TABLE	DT: 4/27/99	DT:	TPCE-5 SERIES		
B	ADDED PANEL THICKNESS .031-.063 (0.8-1.6)	SM 06.07.02	RE: RICHCO, INC.	RICHCO INC. PO BOX 804238, CHICAGO, 60680 (773) 539-4060				
A	CHANGED FILE NUMBER	SM 05.30.01						
REV	DESCRIPTION	ENGR DATE						