



Chipsmall Limited consists of a professional team with an average of over 10 year of expertise in the distribution of electronic components. Based in Hongkong, we have already established firm and mutual-benefit business relationships with customers from,Europe,America and south Asia,supplying obsolete and hard-to-find components to meet their specific needs.

With the principle of "Quality Parts,Customers Priority,Honest Operation,and Considerate Service",our business mainly focus on the distribution of electronic components. Line cards we deal with include Microchip,ALPS,ROHM,Xilinx,Pulse,ON,Everlight and Freescale. Main products comprise IC,Modules,Potentiometer,IC Socket,Relay,Connector.Our parts cover such applications as commercial,industrial, and automotives areas.

We are looking forward to setting up business relationship with you and hope to provide you with the best service and solution. Let us make a better world for our industry!



Contact us

Tel: +86-755-8981 8866 Fax: +86-755-8427 6832

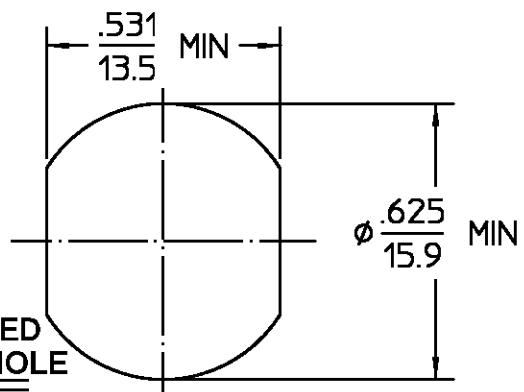
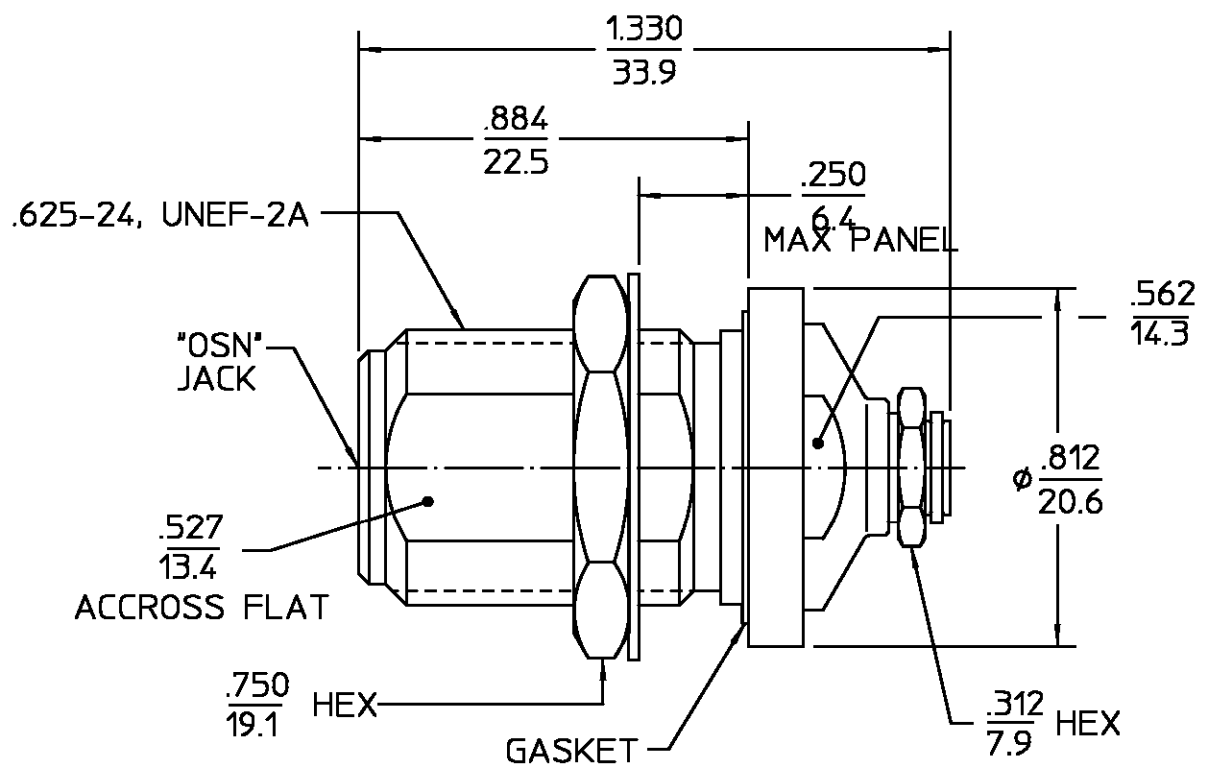
Email & Skype: info@chipsmall.com Web: www.chipsmall.com

Address: A1208, Overseas Decoration Building, #122 Zhenhua RD., Futian, Shenzhen, China



DESIGNED FOR USE WITH .141 SR	
CABLE ENTRY DIAMETER MINIMUM	
SLEEVE	.142
CONTACT	.039

REVISIONS			
REV	DESCRIPTION	DATE	APPROVED
B	PER EC 0U20-0692-00	9/24/01	<i>C. Hoang</i> 9/24/01



RECOMMENDED MOUNTING HOLE

HOUSING MOUNTING NUT LOCKWASHER	STAINLESS STEEL PER ASTM-A484 AND ASTM-A582, TYPE 303	PASSIVATE PER QQ-P-35
CLAMP NUT	STAINLESS STEEL PER ASTM-A484 AND ASTM-A582, TYPE 303	GOLD PLATE PER MIL-G-45204
DIELECTRIC	PTFE FLUOROCARBON PER ASTM-D-1457	N/A
CENTER CONTACT	BRASS PER ASTM-B-16, HALF HARD	GOLD PLATE PER MIL-G-45204
CONTACT EXT.	BERYLLIUM COPPER PER ASTM-B-196 OR ASTM-B-197, ALLOY C17300, CONDITION H	GOLD PLATE PER MIL-G-45204
SLEEVE	BRASS PER ASTM-16, HALF HARD	GOLD PLATE PER MIL-G-45204
RETAINING RING	BERYLLIUM COPPER PER ASTM-B-194, ALLOY C17200, CONDITION H	GOLD PLATE PER MIL-G-45204
GASKET	SILICONE RUBBER PER ZZ-R-765	N/A

COMPONENT	MATERIAL	FINISH
UNLESS OTHERWISE SPECIFIED DIMENSIONS ARE IN INCHES		
FRAC. ± 1/64	DEC. ± .005	ANGLES ± 1°
DRAWN BY PRB 8-7-67		AMP Incorporated 140 Fourth Avenue Waltham, MA 02451-7599
CHECKED BY AJA 8-10-67		
APPD BY D NANIA 8-14-67		
THESE DRAWINGS AND SPECIFICATIONS ARE THE PROPERTY OF M/A COM INTERCONNECT DIV. AND SHALL NOT BE REPRODUCED OR COPIED OR USED IN WHOLE OR IN PART AS THE BASIS FOR THE MANUFACTURE OR SALE OF ITEM(S) WITHOUT WRITTEN PERMISSION.		TITLE 'OSN' STRAIGHT BULKHEAD FEEDTHRU CABLE JACK DIRECT SOLDER ATTACHMENT
USE ASS'Y PROCEDURE 408-04903 NO. AP. (30-011)		SIZE B CODE IDENT NO. 26805 3004-7841-00 REV 052
SCALE 2.5:1		SHEET 1 OF 1

ELECTRICAL	MECHANICAL	ENVIRONMENTAL
Nominal Impedance (Ohms) 50	Interface Dimensions MIL-STD-348A, Fig. 304-2	Temperature Rating -65 TO +165°C
Frequency Range (GHz) DC to 11.0	Recommended Mating Torque 6-10 IN-LBS	Vibration MIL-STD-202, Method 204, Condition B
Volt Rating (VRMS MAX) @ Sea Level 1,000	Mating Characteristics:	Shock MIL-STD-202, Method 213, Condition I
VSWR 1.06 + .007f(GHz)	Insertion (MAX Lbs) 2.0	Thermal Shock MIL-STD-202, Method 107, Condition B, Except High Temp +85 °C
Insertion Loss (dB MAX) .05√f(GHz)	Withdrawal (MIN Oz) 2.0	Moisture Resistance MIL-STD-202, Method 106
RF Leakage (dB MIN) -[95-f(GHz)]	Force to Engage and Disengage (In-Lbs MAX) 6.0	Corrosion - MIL-STD-202, Method 101, Condition B, 5% salt spray
Corona, 70,000 Ft (VRMS MIN) 500	Center Contact Captivation	
Dielectric Withstanding Voltage (VRMS MIN) @ Sea Level 2,500	Axial (Lbs) N/A	
Contact Resistance (Milliohms MAX)	Radial (In-Oz) N/A	
Center Contact 1.0	Cable Retention	
Outer Contact 2.0	Axial Force (Lbs) 60.0	
Cable to Housing N/A	Torque (In-Oz) N/A	
RF High Potential @ Sea Level (VRMS MIN @ 5 MHz) 1,500	Weight (Grams) TBD	
LR.(Megohms MIN) 10,000		

.XXX = in
XX.X = mm (REF)

CUSTOMER DRAWING

AMP PART # 1057154-1
SHEET 1 OF 1 REV B