



Chipsmall Limited consists of a professional team with an average of over 10 year of expertise in the distribution of electronic components. Based in Hongkong, we have already established firm and mutual-benefit business relationships with customers from,Europe,America and south Asia,supplying obsolete and hard-to-find components to meet their specific needs.

With the principle of "Quality Parts,Customers Priority,Honest Operation,and Considerate Service",our business mainly focus on the distribution of electronic components. Line cards we deal with include Microchip,ALPS,ROHM,Xilinx,Pulse,ON,Everlight and Freescale. Main products comprise IC,Modules,Potentiometer,IC Socket,Relay,Connector.Our parts cover such applications as commercial,industrial, and automotives areas.

We are looking forward to setting up business relationship with you and hope to provide you with the best service and solution. Let us make a better world for our industry!



Contact us

Tel: +86-755-8981 8866 Fax: +86-755-8427 6832

Email & Skype: info@chipsmall.com Web: www.chipsmall.com

Address: A1208, Overseas Decoration Building, #122 Zhenhua RD., Futian, Shenzhen, China





Engineering Product Specification

3216FF

- The information contained in this document is the property of Cooper Industries, Inc. It is not for public disclosure. Possession of the information does not convey any right to loan, sell or disclose the CONFIDENTIAL information. Unauthorized reproduction or use of the information is prohibited. This document is to be returned to Cooper Industries, Inc. Upon completion of the purposes for which it is loaned or upon request.

REV. #	Revision Description	Date	Author	Appr.
F	Add -R option (for RoHS Compliant version) and China mfg location	11/2/04	MJ	MJ
E	Add reference to min/max resistance, remove 1.75A device, add glass color reference, add -T option.	10/30/03	MJ	MJ
D	Update marking symbols.	10/31/02	DU	HS
C	Add 1.25A and 1.75A device.	6/08/01	DB	RS
B	Update TCC to show 7A device.	5/8/01	VK	DB
A	Original	8/28/00	DG	DB

Table of Contents

Section	Title	Page
1.	Scope	3
2.	General	3
3.	Manufacturer and Production Facility	3
4.	Catalog Symbol and Part Numbering System	4
5.	Mechanical Specifications	4
6.	Electrical Specifications	7
7.	Standards and Agency Information	11
8.	Marking Specification	13
9.	Soldering Method	13
10.	Land Pattern	14
11.	Temperature Derating Curve	14
12.	Packaging Specification	15
13.	Process Flow Chart	15
14.	Environmental (Reliability / Qualification) Data	15
15.	End	15

This bulletin is intended to clearly present comprehensive product data and provide technical information that will help the end user with design applications. Bussmann reserves the right, without notice, to change design or construction of any products and to discontinue or limit distribution of any products. Bussmann also reserves the right to change or update, without notice, any technical information contained in this bulletin. Once a product has been selected, it should be tested by the user in all possible applications

Title Engineering Product Specification 3216FF	Revision: F
Printed on: 11/10/04	Sheet 3 of 15

1. SCOPE

1.1 This Specification applies to 3216FF series fuses.

2. GENERAL

2.1 General Information

- Rapid interruption of excessive current
- Compatible with reflow and wave solder
- Rugged ceramic and glass construction
- Excellent environmental integrity
- One time positive disconnect

2.2 General Description

3216FF Chip fuses set the industry standard for performance, reliability and quality. The solder-free design provides excellent on-off and temperature cycling characteristics during use and also makes our Chip fuses more heat and shock tolerant than typical subminiature fuses.

3. MANUFACTURER AND PRODUCTION FACILITY

3.1 Manufacturer Cooper Electronic Technologies
3601 Quantum Boulevard
Boynton Beach, FL 33426
Telephone: 561-752-5000
Fax: 561-752-0134

3.2 Production Facility a) Cooper Bussmann
114 Old State Road
Ellisville, MO 63021 (USA)

b) Xin Min Industrial Estate
Changan DongGuan
Guandong Province, China

3.3 ISO Registration a) ISO 9002 File Number A4916
b) ISO 9002, Certificate No. Q2273

This bulletin is intended to clearly present comprehensive product data and provide technical information that will help the end user with design applications. Bussmann reserves the right, without notice, to change design or construction of any products and to discontinue or limit distribution of any products. Bussmann also reserves the right to change or update, without notice, any technical information contained in this bulletin. Once a product has been selected, it should be tested by the user in all possible applications

4. CATALOG SYMBOL AND PART NUMBERING SYSTEM

4.1 Catalog Symbol

4.1.1 RoHS Compliant Example - TR/3216FF500-R

<u>TR/</u>	<u>3216</u>	<u>FF</u>	<u>500</u>	<u>-R</u>
1	2	3	4	5

- | | |
|-------------------------------|-----------------|
| 1. Packaging Code: | TR/ |
| 2. Series Number: | 3216 |
| 3. Electrical Characteristic: | FF |
| 4. Ampere Rating: | 500 (for 500mA) |
| 5. RoHS Compliant: | -R |

4.1.2 Tin/Lead Plated Example - TR/3216FF-500MA

<u>TR/</u>	<u>3216</u>	<u>FF</u>	<u>-500MA</u>
1	2	3	4

- | | |
|-------------------------------|-------|
| 1. Packaging Code: | TR/ |
| 2. Series Number: | 3216 |
| 3. Electrical Characteristic: | FF |
| 4. Ampere Rating: | 500MA |

4.2 Part Numbering System

4.2.1 Packaging Code

Catalog	Designation
TR/	3,000 pieces of fuses on 8mm tape-and-reel on a 7 inch (178mm) reel per EIA Standard 481.

4.2.2 Electrical Characteristic

<p>This bulletin is intended to clearly present comprehensive product data and provide technical information that will help the end user with design applications. Bussmann reserves the right, without notice, to change design or construction of any products and to discontinue or limit distribution of any products. Bussmann also reserves the right to change or update, without notice, any technical information contained in this bulletin. Once a product has been selected, it should be tested by the user in all possible applications</p>

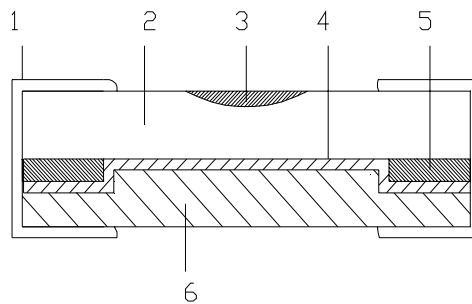
Catalog Symbol	Characteristic
FF	Fast Acting

4.2.3 Ampere Rating

Catalog Symbol	Description
3216FF-250mA	250mA Fuse
3216FF-375mA	375mA Fuse
3216FF-500mA	500mA Fuse
3216FF-750mA	750mA Fuse
3216FF-1A	1A Fuse
3216FF-1.25A	1.25A Fuse
3216FF-1.5A	1.5A Fuse
3216FF-2A	2A Fuse
3216FF-2.5A	2.5A Fuse
3216FF-3A	3A Fuse
3216FF-4A	4A Fuse
3216FF-4.5A	4.5A Fuse
3216FF-5A	5A Fuse
3216FF-6.5A	6.5A Fuse
3216FF-7A	7A Fuse

5. MECHANICAL SPECIFICATIONS

5.1 Construction (Not to scale)



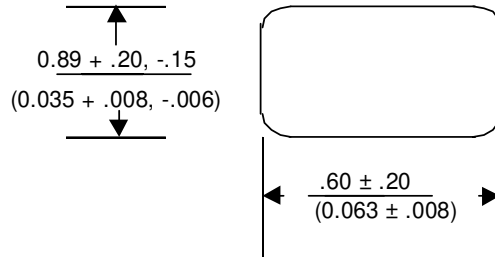
1. End termination
 - a. Nickel Underplate – 200 to 400 microinches
 - b. Either:
 - i. SnPb Plate: 300-600 microinches (87% Sn)
or
 - ii. 100% Sn Plate (if -R): 300-600 microinches
2. Ceramic substrate (white)
3. Numeric ampere marking
4. Metal film fusible element
5. Silver termination pad
6. Fused glass cover (green)

This bulletin is intended to clearly present comprehensive product data and provide technical information that will help the end user with design applications. Bussmann reserves the right, without notice, to change design or construction of any products and to discontinue or limit distribution of any products. Bussmann also reserves the right to change or update, without notice, any technical information contained in this bulletin. Once a product has been selected, it should be tested by the user in all possible applications

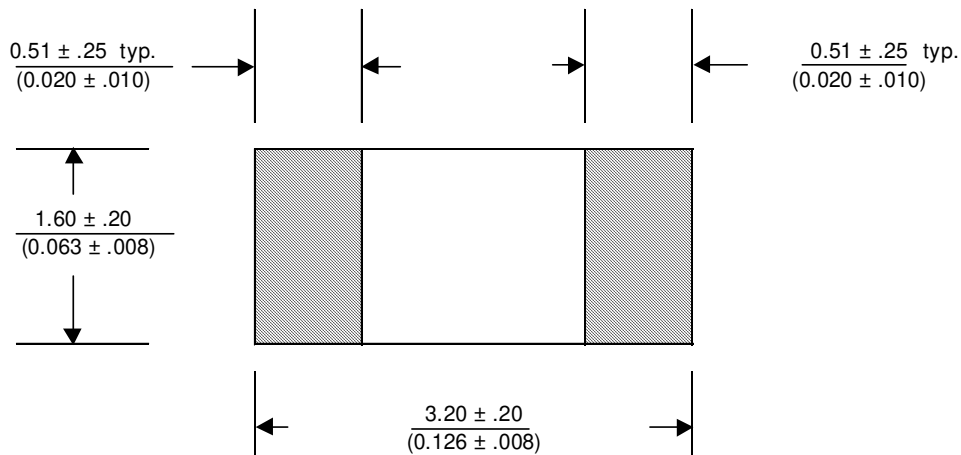
5.2 Dimensions

(Drawings not to scale)

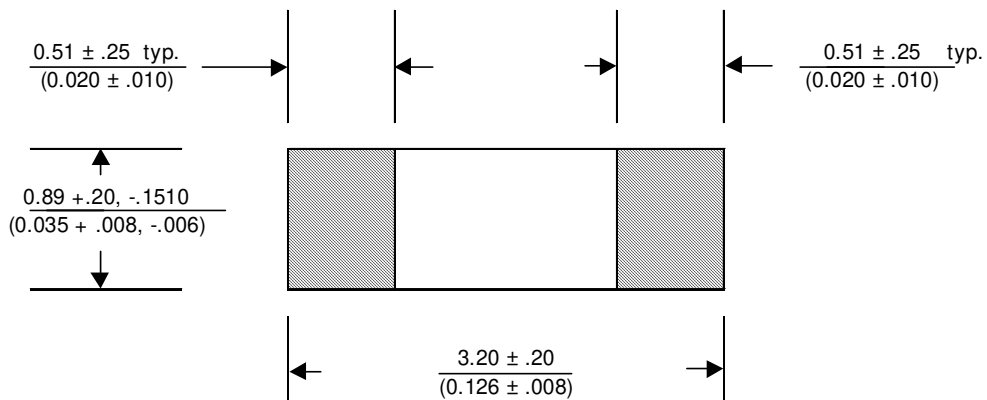
5.2.1 End View mm
inches



5.2.2 Top View mm
inches



5.2.3 Side View mm
inches



This bulletin is intended to clearly present comprehensive product data and provide technical information that will help the end user with design applications. Bussmann reserves the right, without notice, to change design or construction of any products and to discontinue or limit distribution of any products. Bussmann also reserves the right to change or update, without notice, any technical information contained in this bulletin. Once a product has been selected, it should be tested by the user in all possible applications

6. ELECTRICAL SPECIFICATIONS

6.1 Voltage Rating

Catalog Symbol	Voltage Rating	
	(AC)	(DC)
3216FF-250mA	32V	63V
3216FF-375mA	32V	63V
3216FF-500mA	32V	63V
3216FF-750mA	32V	63V
3216FF-1A	32V	63V
3216FF-1.25A	32V	63V
3216FF-1.5A	32V	63V
3216FF-2A	32V	63V
3216FF-2.5A	32V	63V
3216FF-3A	32V	63V
3216FF-4A	32V	32V
3216FF-4.5A	32V	32V
3216FF-5A	32V	32V
3216FF-6.5A	32V	32V
3216FF-7A	32V	32V

6.2 Interrupting Rating

6.2.1 AC interrupting rating (Measured at rated voltage with a unity power factor)

6.2.2 DC Interrupting Rating (Measured at rated voltage, time constant of less than 50 microseconds, battery source)

Catalog Symbol	Interrupting
	Rating AC/DC
3216FF-250mA	50A
3216FF-375mA	50A
3216FF-500mA	50A
3216FF-750mA	50A
3216FF-1A	50A
3216FF-1.25A	50A
3216FF-1.5A	50A
3216FF-2A	50A
3216FF-2.5A	50A
3216FF-3A	50A
3216FF-4A	50A
3216FF-4.5A	50A
3216FF-5A	50A
3216FF-6.5A	50A
3216FF-7A	50A

This bulletin is intended to clearly present comprehensive product data and provide technical information that will help the end user with design applications. Bussmann reserves the right, without notice, to change design or construction of any products and to discontinue or limit distribution of any products. Bussmann also reserves the right to change or update, without notice, any technical information contained in this bulletin. Once a product has been selected, it should be tested by the user in all possible applications

6.3 Time vs. Current Characteristic (Measured with a constant current power supply)

Ampere Rating	% of Amp Rating	Opening Time
250mA - 7A	100%	4 hours minimum
1.25A - 3A	200%	60 seconds maximum
250mA -3A	250%	5 seconds maximum
4A - 7A	350%	1 second maximum

6.4 DC Cold Resistance (Measured at 10% of rated current)

Catalog Symbol	Resistance (ohms)		
	Typ.	Min.*	Max.*
3216FF-250mA	3.50	2.3000	4.7000
3216FF-375mA	1.7500	1.2000	2.3000
3216FF-500mA	0.980	0.6600	1.3000
3216FF-750mA	0.750	0.3800	0.7000
3216FF-1A	0.2190	0.1480	0.2900
3216FF-1.25A	0.1350	0.1350	0.2050
3216FF-1.5A	0.1190	0.0930	0.1450
3216FF-2A	0.0660	0.0530	0.0800
3216FF-2.5A	0.0460	0.0380	0.0540
3216FF-3A	0.0360	0.0260	0.0450
3216FF-4A	0.0180	0.0130	0.0230
3216FF-4.5A	0.0160	0.0120	0.0200
3216FF-5A	0.0140	0.0110	0.0180
3216FF-6.5A	0.0085	0.0068	0.0103
3216FF-7A	0.0085	0.0055	0.0085

* - FOR REFERENCE ONLY - CONTROLLED VALUES HELD BY PLANT AND SUBJECT TO CHANGE WITHOUT NOTICE.

This bulletin is intended to clearly present comprehensive product data and provide technical information that will help the end user with design applications. Bussmann reserves the right, without notice, to change design or construction of any products and to discontinue or limit distribution of any products. Bussmann also reserves the right to change or update, without notice, any technical information contained in this bulletin. Once a product has been selected, it should be tested by the user in all possible applications

6.5 Typical Melting I^2t (Measured with a battery bank at rated DC voltage, 50A ,
time constant of calibrated circuit less than 50 microseconds)

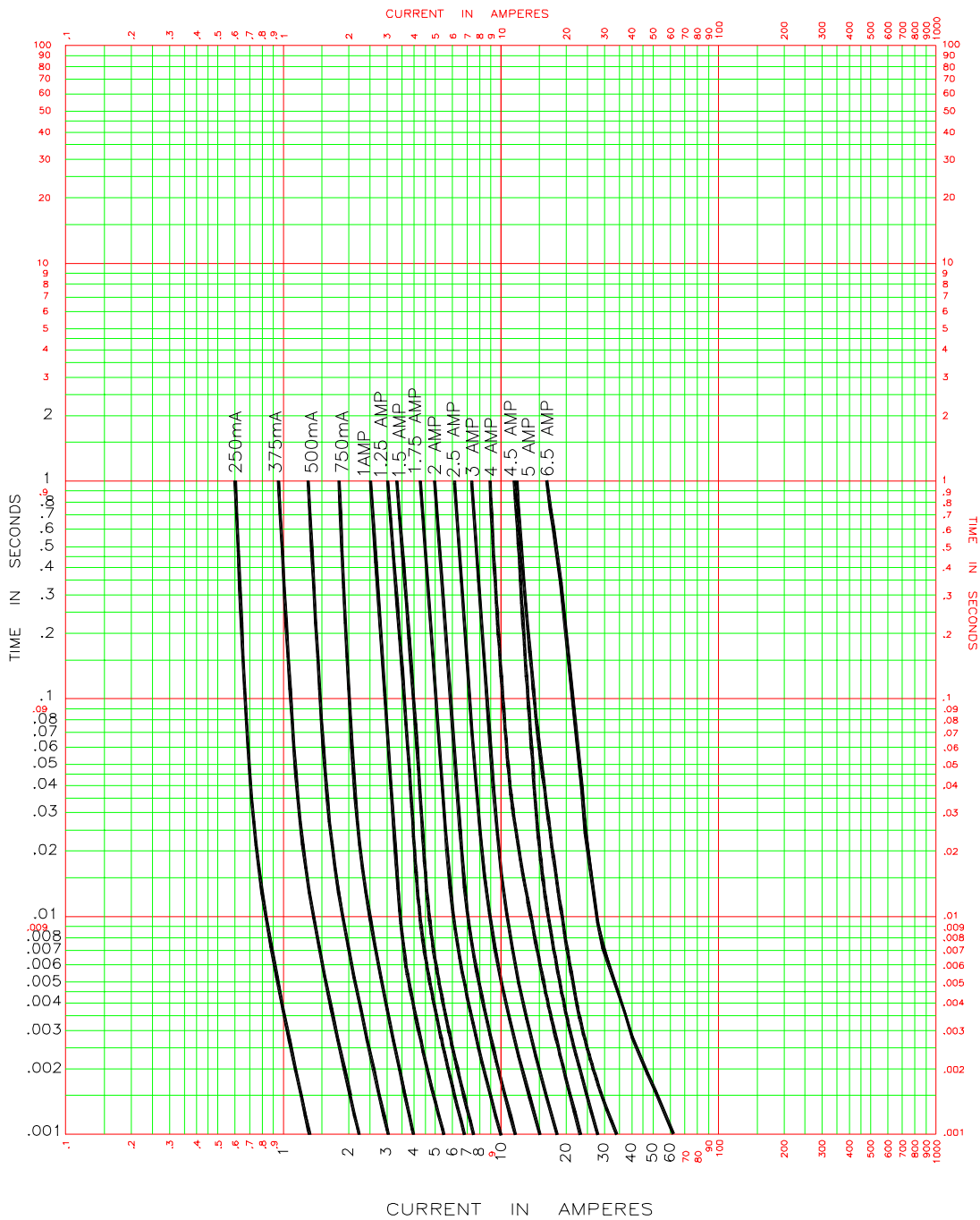
Catalog Symbol	Typical Melt I^2t	
	AC	DC
3216FF-250mA	0.00016	0.000084
3216FF-375mA	0.001	0.0002
3216FF-500mA	0.0014	0.0019
3216FF-750mA	0.0033	0.00095
3216FF-1A	0.012	0.007
3216FF-1.25A	0.035	0.022
3216FF-1.5A	0.047	0.029
3216FF-2A	0.116	0.081
3216FF-2.5A	0.206	0.171
3216FF-3A	0.426	0.359
3216FF-4A	0.187	0.164
3216FF-4.5A	0.546	0.463
3216FF-5A	0.663	0.619
3216FF-6.5A	2.18	3.21
3216FF-7A	2.40	3.53

6.6 Typical Voltage Drop (Measured at rated current after temperature stabilizes)

Catalog Symbol	Typical Voltage Drop (V)
3216FF-250mA	1.4
3216FF-375mA	0.73
3216FF-500mA	0.66
3216FF-750mA	0.63
3216FF-1A	0.20
3216FF-1.25A	0.18
3216FF-1.5A	0.18
3216FF-2A	0.16
3216FF-2.5A	0.14
3216FF-3A	0.13
3216FF-4A	0.11
3216FF-4.5A	0.10
3216FF-5A	0.09
3216FF-6.5A	0.076
3216FF-7A	0.078

This bulletin is intended to clearly present comprehensive product data and provide technical information that will help the end user with design applications. Bussmann reserves the right, without notice, to change design or construction of any products and to discontinue or limit distribution of any products. Bussmann also reserves the right to change or update, without notice, any technical information contained in this bulletin. Once a product has been selected, it should be tested by the user in all possible applications

6.7 Time Current Curve Average Melting



This bulletin is intended to clearly present comprehensive product data and provide technical information that will help the end user with design applications. Bussmann reserves the right, without notice, to change design or construction of any products and to discontinue or limit distribution of any products. Bussmann also reserves the right to change or update, without notice, any technical information contained in this bulletin. Once a product has been selected, it should be tested by the user in all possible applications

Title Engineering Product Specification 3216FF	Revision: F
Printed on: 11/10/04	Sheet 11 of 15

7. STANDARDS AND AGENCY INFORMATION

7.1 UL Card



Northbrook, Illinois • (847) 272-8800
 Mahwah, New York • (516) 271-6200
 Santa Clara, California • (408) 985-2411
 Research Triangle Park,
 North Carolina • (919) 549-1400
 Camas, Washington • (360) 817-5500

COOPER INDUSTRIES INC
 BUSSMANN DIV
 MR W CURTIS
 PO BOX 14460
 ST LOUIS MO 63178

RE: Project Number(s) - 99NK6781

Your most recent listing is shown below. Please review this information and report any inaccuracies to the UL Engineering staff member who handled your project.

For information on placing an order for UL Listing Cards in a 3 x 5 inch format, please refer to the enclosed ordering information.

JDYX2 March 16, 1999
 Fuses, Miscellaneous, Miniature, and Micro - Component

COOPER INDUSTRIES INC BUSSMANN DIV
 PO BOX 14460, ST LOUIS MO 63178

E19180

With pigtail leads.
 Micro. Cat. No. GFA, 1/200-5 A, 125 v.
 For printed wiring board mounting.
 Micro. Cat. Nos. PCB, PCC, PCF, PCH, PCK, 0.5-2.5 A, 250 v, ac, 450 v, dc; Cat. Nos. PCB, PCC, PCF, PCH, PCK, 2.6-3 A, 250 v, ac, 350 v, dc;
 Cat. Nos. PCD, PCE, PCL, 0.5-2.5 A, 125 v, ac, 450 v, dc; Cat. Nos. PCD, PCE, PCL, 2.6-3 A, 125 v, ac, 350 v, dc; Cat. Nos. PCD, PCE, PCC, PCL,
 PCL, 3.1-5 A, 125 v, ac, 250 v, dc; Cat. No. PCJ, 1 A, 250 v, ac, 750 v, dc.
 Cat. No. DO-35, 250 mA-3.5 A, 32 v, ac and dc.
 Cat. Nos. 6125FA, 6125TD, 1/2 A-5 A, 125 v, ac, 60 v, dc.
 For use with fuse holders.
 Micro. Cat. No. GMW, 0-5 A, 125 v.
 Miniature. Cat. No. MKC, 1/16 A, 125 v.
 Cat. No. AGC+, 11-30 A, 32 v; Cat. No. AGC-CW+, 3.5-7.5 A, 32 v.
 Cat. No. AGA, 5.1-12 A, 32 v.
 Cat. Nos. AGA, GKN, 2-5 A, 125 v, ac.
 Cat. No. ABC+, -18, 20 A, 250 v, -25, 30 A, 125 v; Cat. No. WP-91768L followed by 117-119 incl.
 Cat. No. GLW+, 20 A, 250 v, 25 A, 125 v.
 Cat. No. MDL, 8.1-30 A, 32 v; Cat. No. MDV, 8.1-20 A, 32 v.
 Cat. No. MDQ, 7.1-30 A, 32 v; Cat. No. 1A6267, 7.1-30A, 32 v.
 Cat. No. AGX, 5.1-7 A, 125 v; 7.1-20 A, 32 v.
 Cat. No. AGD, 3-12 A, 32 v.
 Cat. No. ABS, 0-20A, 250 v, 25-30, 125 v.
 Cat. No. ABC-V, 25 A, 125 v, 20 A, 250 v; Cat. No. ABC-V, 18 A, 250 v, 30 A, 125 v; Cat. No. WP-91768L followed by 17-19; Cat. No. MDL-V,
 8.1-30 A, 32 v; Cat. No. AGC-V, 11-30 A, 32 v; Cat. No. AGA-V, 5.1-12 A, 32 v; Cat. No. AGX-V, 5.1-20 A, 32 v; Cat. No. MDQ-V, 8.1-30 A, 32 v.
 Cat. No. MDA-V 25-30 A, 125/250 vac; Cat. No. AGC-V, 11-30A .
 Cat. No. MDA 25-30 A, 125/250 v ac.
 Miscellaneous. Cat. No. KTO, 4-6 A, 600 v.
 Cat. No. DMM, rated 44/100 and 11 A, 1000 v, ac and dc; Cat. Nos. DMM-B-11, DMM-B-44/100, 1000 v, ac and dc.
 Alarm indicator fuses. Series 70 followed by A-H incl., I, J, K, P, R or X, followed by 1/10-5 incl.; Type GKB followed by 10.
 Type 80 followed by additional suffixes, 0-5 A; Type 81 followed by additional suffixes 0-12 A; Type 80M 1 1/3 A.
 Micro. Type 74 followed by A, B, C, D, E, F, G, H, J, 1.25-20, 60 v, dc.
 Cat. No. GLD/GBA, 6A, 125 v, ac; Cat. No. GLD/GBA, 8-15A, 50 v, ac and dc.
 Cat. No. MCR/TRW, 1/16A-5A, 125 v, ac and dc; Cat. No. MCR-A/TRW, 6A-10A, 60 v, ac and 90 v, dc; Cat. No. TMR, 1/16, 250 v, ac.
 Cat. No. SFT, 0-5A, 125 ac/dc; Cat. Nos. SFT, 5.1-10A, 60 v, ac/90 v, dc; SFT, 12.5A, 48 v, ac.
 Cat. No. 3216FF, 1/4-3A, 32 v, ac, 63 v, dc; Cat. No. 3216FF, 4-6.5A, 32 v, ac/dc; Cat. No. 3216LV, 0.1-5A, 125 v, ac/dc; Cat. No. 3216-1J0289, rated
 0.2A, 125 v, ac/dc.
 Cat. No. 1608FE, 250 ma-4A, 24 v, dc.
 Circuit protectors. Cat. No. 3216CP, 1/4-5A, 24 v, dc, 4-5A, 32 v, ac, 32 v, dc.
 Cat. No. ETE, 0.080-6.3A, 250 v, ac.

579980001

Page 1 of 2

A not-for-profit organization
 dedicated to public safety and
 committed to quality service

7.1.1 Marking: The UL Recognition symbol appears on the label affixed to the packaging container.

This bulletin is intended to clearly present comprehensive product data and provide technical information that will help the end user with design applications. Bussmann reserves the right, without notice, to change design or construction of any products and to discontinue or limit distribution of any products. Bussmann also reserves the right to change or update, without notice, any technical information contained in this bulletin. Once a product has been selected, it should be tested by the user in all possible applications

Title Engineering Product Specification 3216FF	Revision: F
Printed on: 11/10/04	Sheet 12 of 15

7.2 CSA Certification Record



CERTIFICATION RECORD

The company named below has been authorized by CSA to represent the products listed in this record as "CSA Certified" and to affix the CSA Mark to these products according to the terms and conditions of the CSA Service Agreement and applicable CSA program requirements (including additional Markings).

File No: 053787 C 000

Class No: 1422 30 FUSES Supplemental Fuses - Component Acceptance

SUBMITTOR

4500672 Bussmann Division
Cooper Industries, Incorporated
St. Louis, MO 63178-4460
USA

FACTORY

4502401 Bussmann Division
Cooper Industries, Incorporated
114 Old State Rd.
Ellisville, MO 63021-5942
USA

February 26, 1999(Replaces:August 21, 1998)

- 1608FF, 250mA-4.0A, 24V dc, IR24-35A.
- JNXXL, 0-60A, 300V ac max, IR-300-200KA.
- TPA, 3-50A, 170V dc max, IR170-100kA.
- TPA-B 20, WP-92955L7, 20A, 65V dc max, IR65-20kA.
- TPA-B25, WP-92955L8, 25A, 65V dc max, IR65-20kA.
- TPN or WP9246121-229, 1-600A, 170V dc max; IR170-100kA.
- TPL-B followed by A, B, D, F, H, K or L, 70, 80, 100, 150, 200, 225 and 250A, 170V ac/dc max, IR170-100kA.
- TPL-C followed by N, R, V or Z, 300, 400, 500 and 600A, TPL-CHZ 800, 800A, 170V ac/dc max, IR170-100kA.
- TPS 1L to -30L, 1-30A, 170V dc max, IR170-100kA.
- TPS 0 to 70, or WP2461L100 to L111, 0-70A, 170V dc max, IR170-100kA.
- TPS-50v, 50A, 170V dc max, IR170-100kA.
- ABC, ABC-V and GLW, 18A, 250V ac max, IR250-400A.
- ABC, ABC-V and GLW, 20A, 250V ac max, IR250-400A.
- ABC, ABC-V and GLW, 25A, 30A, 125V ac max, IR 125-1000A.
- AGC-V, 11-30A, 32V and less, IR-32-10kA.
- Micro fuse, SFT, 0-1/8A, 125V ac/dc and less, IR125V ac-50A, IR125V dc-300A.
- Micro fuse, MCR, 0-1/8A, 125V ac/dc and less, IR 125V ac-50A, IR125V dc-300A.
- Micro fuse, 3216FF, 0-1A, 4-6.5A, 32V ac/63V dc and less, IR32V-50A, IR63V-50A.

DQD No. 548 99/04/08

Page 1

7.2.1 Marking: The CSA symbol appears on the label affixed to the packaging.

This bulletin is intended to clearly present comprehensive product data and provide technical information that will help the end user with design applications. Bussmann reserves the right, without notice, to change design or construction of any products and to discontinue or limit distribution of any products. Bussmann also reserves the right to change or update, without notice, any technical information contained in this bulletin. Once a product has been selected, it should be tested by the user in all possible applications

8. MARKING SPECIFICATION

8.1 Ampere rating to be marked on the ceramic (white) side in ink. Glass (green) side to be unmarked.

8.1.1 Table of fuse markings

Catalog Symbol	Marking
3216FF-250mA	.25
3216FF-375mA	E
3216FF-500mA	.5
3216FF-750mA	.75
3216FF-1A	1
3216FF-1.25A	▲
3216FF-1.5A	1.5
3216FF-2A	2
3216FF-2.5A	2.5
3216FF-3A	3
3216FF-4A	4
3216FF-4.5A	4.5
3216FF-5A	5
3216FF-6.5A	6.5
3216FF-7A	7

8.1.2 Example of 2A fuse



9. SOLDERING METHOD

9.1 Wave Solder

9.1.1 Reservoir Temperature: 260°C (500°F)

9.1.2 Time in Reservoir: 10 Seconds Maximum

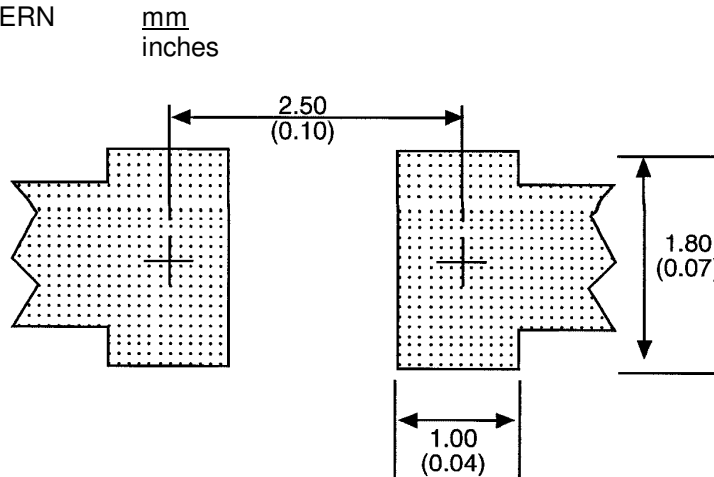
9.2 Infrared Reflow

9.2.1 Temperature: 260°C (500°F)

9.2.2 Time: 30 Seconds Maximum

This bulletin is intended to clearly present comprehensive product data and provide technical information that will help the end user with design applications. Bussmann reserves the right, without notice, to change design or construction of any products and to discontinue or limit distribution of any products. Bussmann also reserves the right to change or update, without notice, any technical information contained in this bulletin. Once a product has been selected, it should be tested by the user in all possible applications

10. LAND PATTERN

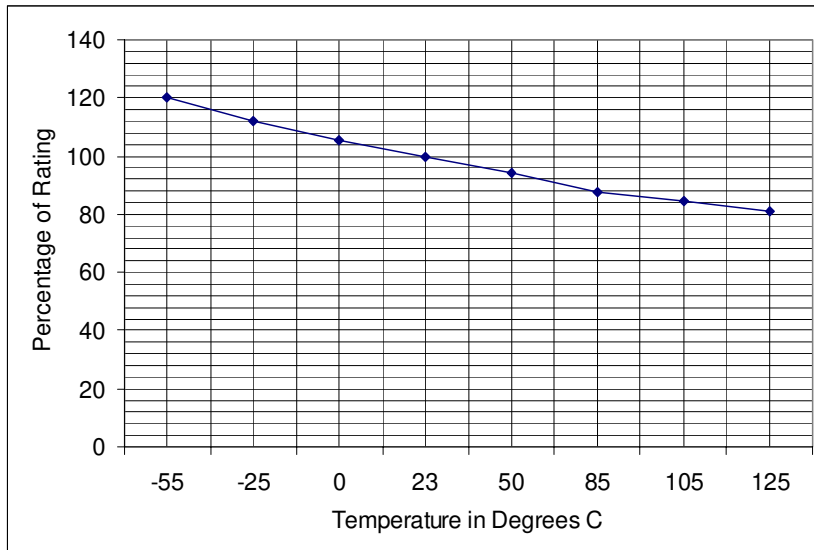


11. TEMPERATURE DERATING CURVE

11.1 Normal Ambient Temperature: $23^{\circ}\text{C} \pm 3^{\circ}\text{C}$ ($74^{\circ}\text{F} \pm 3.6^{\circ}\text{F}$)

11.2 Operating Temperature: -55°C to 125°C , with proper correction factor applied

11.2.1 Chart of correction factor



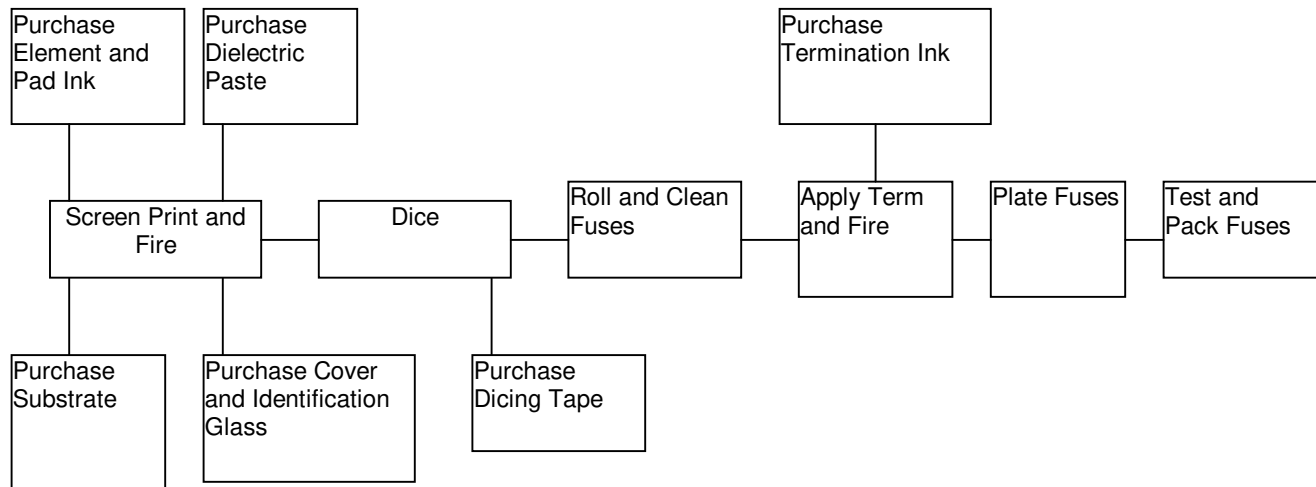
11.3 Storage Temperature: -55°C to 125°C (-67°F to 257°F)

This bulletin is intended to clearly present comprehensive product data and provide technical information that will help the end user with design applications. Bussmann reserves the right, without notice, to change design or construction of any products and to discontinue or limit distribution of any products. Bussmann also reserves the right to change or update, without notice, any technical information contained in this bulletin. Once a product has been selected, it should be tested by the user in all possible applications

12. PACKAGING SPECIFICATION

- 12.1 SP: 50 pieces of fuses on 8mm tape packaged in a plastic box per EIA Standard RS481
- 12.2 TR: 3,000 pieces of fuses on 8mm tape and reeled on a 7 inch (178mm) reel per EIA Standard RS481
- 12.3 The fuses are orientated in embossed pockets with the ceramic (white) side facing up to facilitate proper mounting. It is recommended that fuses be mounted with the ceramic (white) side facing up.

13. PROCESS FLOW CHART



14. ENVIRONMENTAL (RELIABILITY/QUALIFICATION) DATA

- 14.1 Thermal Shock:
MIL-STD-202, Method 107, Test Condition B (-65°C to 125°C)
- 14.2 Vibration:
MIL-STD-202, Method 204, Test Condition C (55 to 2000 Hz, 10G)
- 14.3 Moisture Resistance:
MIL-STD-202, Method 106, 10 day cycle
- 14.4 Solderability:
ANSI/J-STD-002, Test B

15. End