



Chipsmall Limited consists of a professional team with an average of over 10 year of expertise in the distribution of electronic components. Based in Hongkong, we have already established firm and mutual-benefit business relationships with customers from,Europe,America and south Asia,supplying obsolete and hard-to-find components to meet their specific needs.

With the principle of “Quality Parts,Customers Priority,Honest Operation,and Considerate Service”,our business mainly focus on the distribution of electronic components. Line cards we deal with include Microchip,ALPS,ROHM,Xilinx,Pulse,ON,Everlight and Freescale. Main products comprise IC,Modules,Potentiometer,IC Socket,Relay,Connector.Our parts cover such applications as commercial,industrial, and automotives areas.

We are looking forward to setting up business relationship with you and hope to provide you with the best service and solution. Let us make a better world for our industry!



Contact us

Tel: +86-755-8981 8866 Fax: +86-755-8427 6832

Email & Skype: info@chipsmall.com Web: www.chipsmall.com

Address: A1208, Overseas Decoration Building, #122 Zhenhua RD., Futian, Shenzhen, China

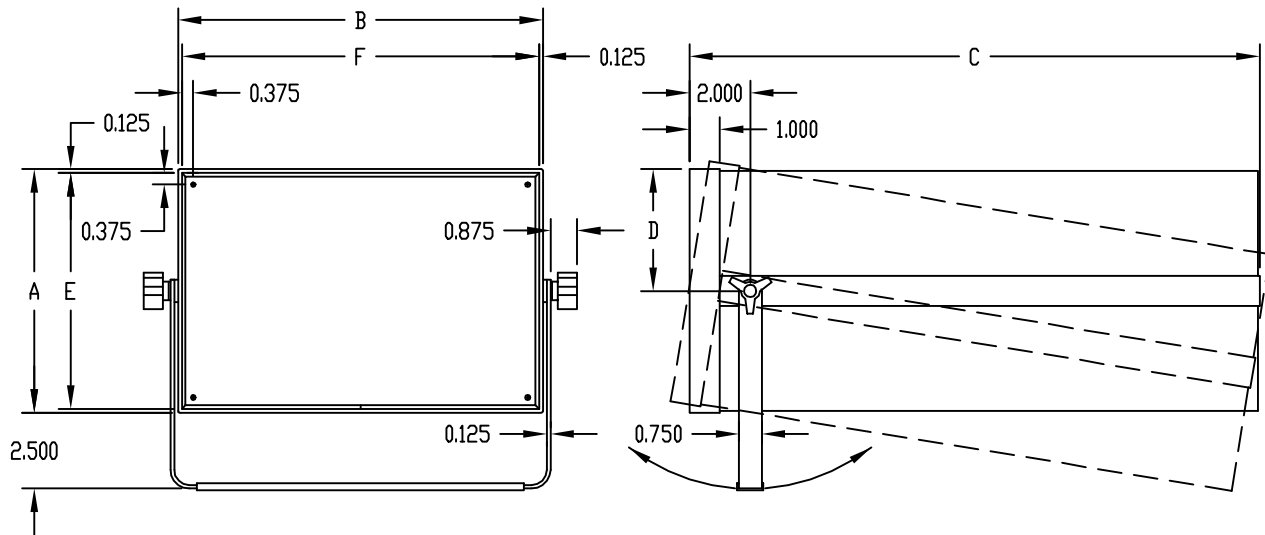
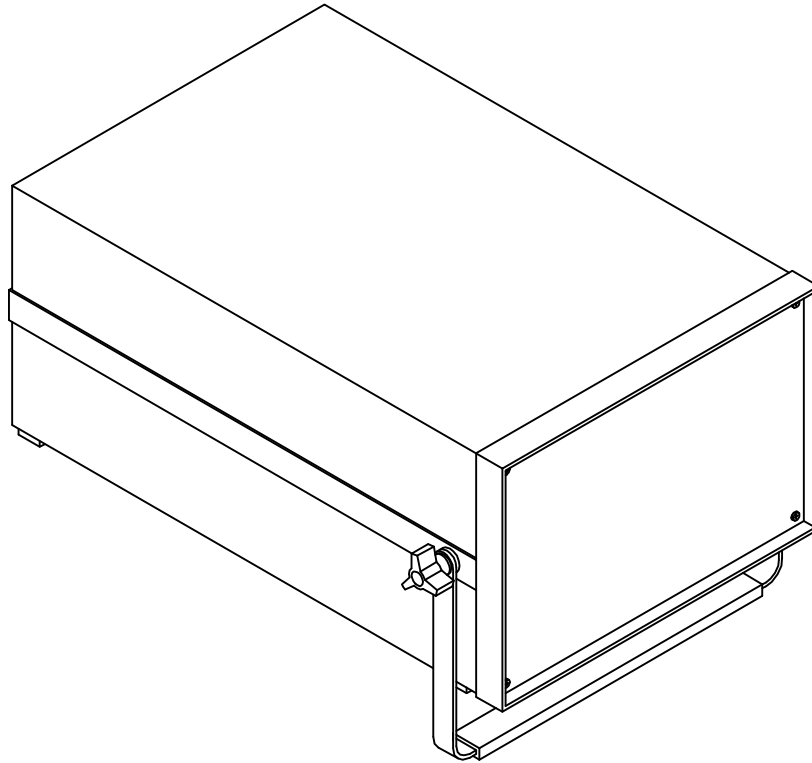


PART NAME

TR SERIES

PART No.

TR-6100 THRU TR-6103



FINISH:

FRAME AND BAIL _____ WHITE TEXTURED
 FRONT PANEL AND COVERS _____ ROYAL BLUE TEXTURED
 BAIL, TUBING, FEET AND KNOBS _____ BLACK
 BAIL WASHERS _____ WHITE TEFLON

MATERIAL:

FRONT PANEL _____ 0.090 ALUMINUM
 CORNER GUSSETS _____ 0.060 ALUMINUM
 COVERS _____ 0.050 ALUMINUM
 FRAME _____ EXTRUDED ALUMINUM
 BAIL _____ EXTRUDED ALUMINUM
 BAIL TUBING _____ NEOPRENE
 FEET _____ SELF-ADHESIVE RUBBER
 KNOBS _____ PLASTIC

NOTES:

FRONT PANEL RECESSED 0.375.

PART No.	OVERALL				PANEL SPACE		PANEL		INSIDE CLEARANCE		
	A	B	C	D	E	F	G	H	HEIGHT	WIDTH	DEPTH
TR-6100	3.500	8.312	10.750	1.750	3.250	8.046	3.187	7.984	3.000	7.796	10.000
TR-6101	5.250	8.312	13.250	2.625	5.000	8.046	4.937	7.984	4.750	7.796	12.500
TR-6102	7.000	11.062	13.250	3.500	6.750	10.828	6.687	10.765	6.500	10.578	12.500
TR-6103	8.000	12.000	18.750	4.000	7.750	11.750	7.687	11.687	7.500	11.500	18.000