



Chipsmall Limited consists of a professional team with an average of over 10 year of expertise in the distribution of electronic components. Based in Hongkong, we have already established firm and mutual-benefit business relationships with customers from,Europe,America and south Asia,supplying obsolete and hard-to-find components to meet their specific needs.

With the principle of “Quality Parts,Customers Priority,Honest Operation,and Considerate Service”,our business mainly focus on the distribution of electronic components. Line cards we deal with include Microchip,ALPS,ROHM,Xilinx,Pulse,ON,Everlight and Freescale. Main products comprise IC,Modules,Potentiometer,IC Socket,Relay,Connector.Our parts cover such applications as commercial,industrial, and automotives areas.

We are looking forward to setting up business relationship with you and hope to provide you with the best service and solution. Let us make a better world for our industry!



## Contact us

Tel: +86-755-8981 8866 Fax: +86-755-8427 6832

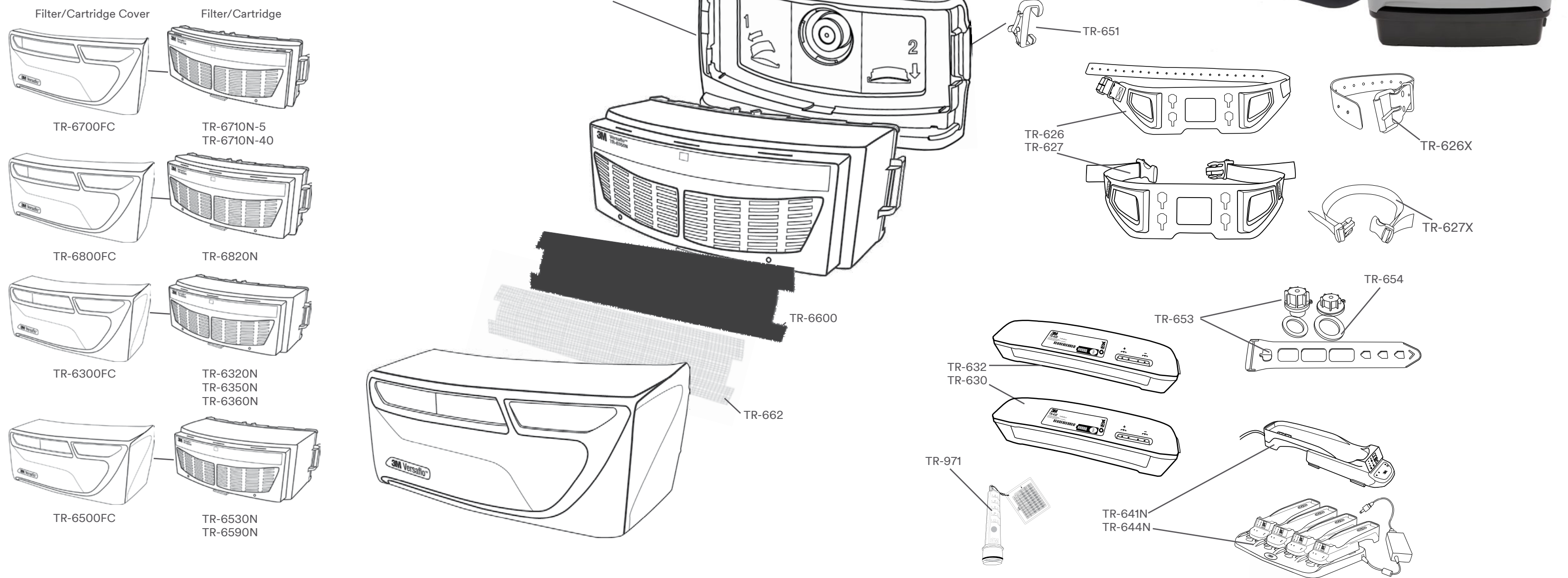
Email & Skype: info@chipsmall.com Web: www.chipsmall.com

Address: A1208, Overseas Decoration Building, #122 Zhenhua RD., Futian, Shenzhen, China



# 3M™ Versaflo™ TR-600 Series Parts and Accessories

## TR-600 Series



Part Number/AAD	General Description	Description	Replace when maximum life is reached or when/if:	UPC Ordering #
<b>System Kits</b>				
TR-600-ECK/37375	Easy Clean PAPR Kit	Kit includes: S-433L Hood with Integrated Head Suspension, BT-30 Length Adjusting Breathing Tube, TR-6710N (HE) Filter, TR-641N Single Station Battery Charger, BT-922 Breathing Tube Cover, TR-602N PAPR Unit, TR-630 Standard Battery, TR-627 Easy Clean Belt, TR-6700 Filter Cover, TR-6600 Prefilter (x2), TR-662 Spark Arrestor (x2), TR-971 Airflow Indicator	replace component(s) in kit based on guidance in table below, and/or reference component user instructions	00051131373754
TR-600-HIK/37374	Heavy Industry PAPR Kit	Kit includes: M-307 Respiratory Hard Hat Assembly with Premium Visor and Faceseal, TR-602N PAPR Unit, TR-632 High Capacity Battery, BT-30 Length Adjusting Breathing Tube, TR-626 High Durability Belt, TR-6530N OV/AG/HE Cartridge, TR-6500 Filter Cover, TR-641N Single Station Battery Charger Kit, TR-971 Airflow Indicator, BT-926 High Temperature Breathing Tube Cover, TR-6600 Prefilter (x2), TR-662 Spark Arrestor (x2)	replace component(s) in kit based on guidance in table below, and/or reference component user instructions	00051131373747
TR-600-HKS/HKL	Head Cover PAPR Kit	Kit includes: S-133 Soft Headtop, TR-971 Airflow Indicator, TR-6710N Filter, TR-641N Single Station Battery Charger, TR-653 Cleaning and Storage Kit, TR-991 Carrying Bag, TR-602N PAPR Unit, TR-630 Standard Battery, BT-30 Length Adjusting Breathing Tube, TR-627 Easy Clean Belt, TR-6700FC Filter Cover	replace component(s) in kit based on guidance in table below, and/or reference component user instructions	HKS: 00051131274990 HKL: 00051131275010
<b>Series Assemblies</b>				
TR-613N/37339	PAPR Assembly	PAPR Assembly: includes blower unit (TR-602N), flow indicator (TR-971), high durability belt (TR-626), standard battery (TR-630), and length adjusting breathing tube (BT-30).	replace component(s) in assembly based on guidance in table below, and/or reference component user instructions	00051131373396
TR-614N/37340	PAPR Assembly	PAPR Assembly: includes blower unit (TR-602N), flow indicator (TR-971), Easy clean belt (TR-627), standard battery (TR-630), and length adjusting breathing tube (BT-30).	replace component(s) in assembly based on guidance in table below, and/or reference component user instructions	00051131373402
TR-616N/37341	PAPR Assembly	PAPR Assembly: includes blower unit (TR-602N), flow indicator (TR-971), high durability belt (TR-626), high capacity battery (TR-632), and length adjusting breathing tube (BT-30).	replace component(s) in assembly based on guidance in table below, and/or reference component user instructions	00051131373419
TR-617N/37342	PAPR Assembly	PAPR Assembly: includes blower unit (TR-602N), flow indicator (TR-971), Easy clean belt (TR-627), high capacity battery (TR-632), and length adjusting breathing tube (BT-30).	replace component(s) in assembly based on guidance in table below, and/or reference component user instructions	00051131373426
<b>Component Parts (* denotes alternatives(s) available)</b>				
TR-602N/37338	Blower	Replacement Blower for Versaflo™ TR-600	damaged or unable to resolve alarms	00051131373389
TR-626/37343	Belt*	High Durability belt for Versaflo™ TR-600/TR-800 PAPR	damaged	00051131373433
TR-626X/37344	Belt Extender	Belt extender for TR-626 High Durability Belt	damaged	00051131373440
TR-627/37345	Belt*	Easy Clean belt for Versaflo™ TR-600/TR-800 PAPR	damaged	00051131373457
TR-627X/37346	Belt Extender	Belt extender for TR-627 Easy Clean Belt	damaged	00051131373464
TR-630/37347	Battery*	Standard battery for Versaflo™ TR-600 PAPR	damaged or no longer achieving desired run-time	00051131373471
TR-632/37348	Battery*	High capacity battery for Versaflo™ TR-600 PAPR	damaged or no longer achieving desired run-time	00051131373488
TR-640/37349	Charger*	Replacement charger cradle for TR-641/TR-644 kits (not shown)	damaged, broken, or unable to charge battery	00051131373495
TR-641N/37350	Charger*	Single-bay charger kit for Versaflo™ TR-600/TR-800 PAPR batteries	damaged, broken, or unable to charge battery	00051131373501
TR-644N/37351	Charger*	4-bay charger kit for Versaflo™ TR-600/TR-800 PAPR batteries	damaged, broken, or unable to charge battery	00051131373518
TR-6600/37354	Prefilter	Prefilter for Versaflo™ TR-600/TR-800 PAPR	damaged or clogged	00051131373549
TR-662/37355	Spark Arrestor/Prefilter	Spark arrester/Prefilter for Versaflo™ TR-600/TR-800 PAPR	damaged or unable to clean	00051131373556
TR-6710N-5/37357 TR-6710N-40/37358	Filter*	HE Filter for Versaflo™ TR-600/TR-800 PAPR	damaged or when change is indicated by the PAPR low flow alarm	00051131373575 00051131373582
TR-6820N/37360	Filter*	HE and Nuisance OV/AG filter for Versaflo™ TR-600/TR-800 PAPR	damaged, when change is indicated by the PAPR low flow alarm or when nuisance odor relief is no longer provided	00051131373605
TR-6320N/37363	Filter/Cartridge*	Acid Gas/HEPA Cartridge for Versaflo™ TR-600/TR-800 PAPR	damaged, when change is indicated by the PAPR low flow alarm, when indicated by service life software, or if breakthrough is detected	00051131373636
TR-6350N/37365	Filter/Cartridge*	Formaldehyde/HEPA Cartridge for Versaflo™ TR-600/TR-800 PAPR	damaged, when change is indicated by the PAPR low flow alarm, when indicated by service life software, or if breakthrough is detected	00051131373650
TR-6360N/37364	Filter/Cartridge*	Ammonia/Methylamine/HEPA Cartridge for Versaflo™ TR-600/TR-800 PAPR	damaged, when change is indicated by the PAPR low flow alarm, when indicated by service life software, or if breakthrough is detected	00051131373643
TR-6530N/37362	Filter/Cartridge*	Organic Vapor/Acid Gas/HEPA Cartridge for Versaflo™ TR-600/TR-800 PAPR	damaged, when change is indicated by the PAPR low flow alarm, when indicated by service life software, or if breakthrough is detected	00051131373629
TR-6590N	Filter/Cartridge*	Multi-Gas/HEPA Cartridge for Versaflo™ TR-600 PAPR	damaged, when change is indicated by the PAPR low flow alarm, when indicated by service life software, or if breakthrough is detected	50051131373667
TR-6700FC/37356	Filter Cover	Filter cover for 6700 series filters for Versaflo™ TR-600/TR-800 PAPR	damaged or broken. No longer securely attaches to filter/cartridge	00051131373563
TR-6800FC/37378	Filter Cover	Filter cover for 6800 series filters for Versaflo™ TR-600/TR-800 PAPR	damaged or broken. No longer securely attaches to filter/cartridge	00051131373785
TR-6300FC/37380	Filter Cover	Filter cover for 6300 series filter/cartridge for Versaflo™ TR-600/TR-800 PAPR	damaged or broken. No longer securely attaches to filter/cartridge	00051131373808
TR-6500FC/37381	Filter Cover	Filter cover for 6500 series filter/cartridge for Versaflo™ TR-600/TR-800 PAPR	damaged or broken. No longer securely attaches to filter/cartridge	00051131373815
TR-971/56707	Flow Indicator	Flow indicator for Versaflo™ TR-600/TR-800 PAPR	damaged	00051141567075
TR-651/37382	Filter Latch	Replacement filter latch assembly for TR-602N blower	damaged	00051131373822
TR-653/37373	Cleaning/Storage Kit	Cleaning and Storage Kit for TR-602N/TR-802N PAPR, and TR-630/TR-632/TR-830 batteries	damaged, broken, gaskets changed after 30 washings	00051131373730
TR-654/37384	Cleaning/Storage Kit	Replacement gaskets for TR-653 cleaning and storage kit	damaged, broken, gaskets changed after 30 washings	00051131373846
BPK-01/17358	Backpack*	Backpack for Versaflo™ TR-600/TR-800 PAPR (not shown)	damaged	00051131173583
TR-655/37385	Backpack Adapter	Backpack Adaptor to connect TR-602N to BPK-01 (not shown)	damaged	00051131373853
TR-329/17362	Suspenders*	Suspenders for use with any Versaflo belt (not shown)	damaged	00051131173620
BT-30/17379	Breathing Tube	Length adjusting breathing tube to connect Versaflo™ TR-600/TR-800 PAPR to Versaflo™ family of headgear (not shown)	damaged, broken, holes, cuts or tears	00051131173798



**3M General Offices**  
3M Center, Building 235-2W-70  
St. Paul, MN 55144-1000  
3M.com

3M PSD products are occupational use only.  
3M and Versaflo are trademarks of 3M Company.  
Please recycle. Printed in USA © 2016, 2018 3M.  
All rights reserved. 70-0716-7142-7

### For More Information

#### In U.S.

**Technical Assistance** 1-800-243-4630  
Hours of Operation: 8:00 a.m. – 4:30 p.m. CST

**Customer Care Center** 1-800-328-1667  
Hours of Operation: 7:00 a.m. – 5:00 p.m. CST

**Internet** 3M.com/PPESafety  
3M.com/Versaflo



### ⚠WARNING

These respirators help protect against certain airborne contaminants. Before use, the wearer must read and understand the User Instructions provided as a part of the product packaging. A written respiratory protection program must be implemented meeting all the requirements of OSHA 1910.134 including training, fit testing and medical evaluation. In Canada, CSA standards Z94.4 requirements must be met and/or requirements of the applicable jurisdiction, as appropriate. Improper use may result in injury, sickness or death. For correct use, see supervisor and User Instructions, or call 3M PSD Technical Service in USA at 1-800-243-4630 and in Canada at 1-800-267-4414.