



Chipsmall Limited consists of a professional team with an average of over 10 year of expertise in the distribution of electronic components. Based in Hongkong, we have already established firm and mutual-benefit business relationships with customers from,Europe,America and south Asia,supplying obsolete and hard-to-find components to meet their specific needs.

With the principle of “Quality Parts,Customers Priority,Honest Operation,and Considerate Service”,our business mainly focus on the distribution of electronic components. Line cards we deal with include Microchip,ALPS,ROHM,Xilinx,Pulse,ON,Everlight and Freescale. Main products comprise IC,Modules,Potentiometer,IC Socket,Relay,Connector.Our parts cover such applications as commercial,industrial, and automotives areas.

We are looking forward to setting up business relationship with you and hope to provide you with the best service and solution. Let us make a better world for our industry!



## Contact us

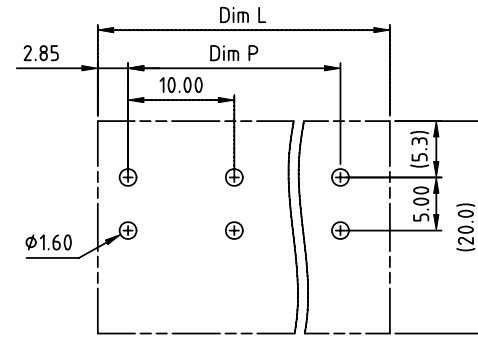
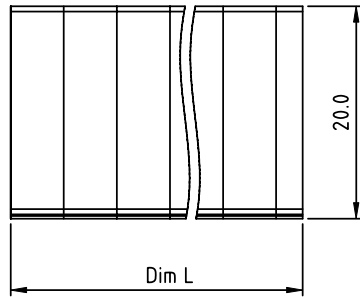
Tel: +86-755-8981 8866 Fax: +86-755-8427 6832

Email & Skype: info@chipsmall.com Web: www.chipsmall.com

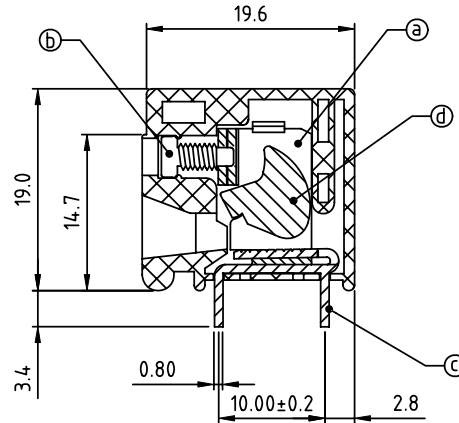
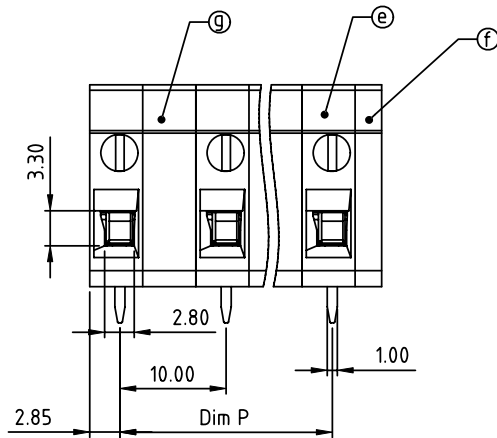
Address: A1208, Overseas Decoration Building, #122 Zhenhua RD., Futian, Shenzhen, China



PRODUCT NUMBER	PITCH
TRxx15x1A0J0G	10.00mm



RECOMMENDED P.C.B LAYOUT  
TOP VIEW



Material:

- Item (a) Terminal body: steel stamping clamp Zinc plating
- Item (b) Terminal screw: Steel Zinc plating "-" slot type
- Item (c) Contacts: Brass, Tin plated
- Item (d) Firm wire chunk: steel Zinc plating
- Item (e) Terminal housing: Thermoplastic (UL94V-0)
- Item (f) Terminal cover: Thermoplastic (UL94V-0)
- Item (g) padding block: Thermoplastic (UL94V-0)

Electrical cULus

- Voltage rating: 300VAC
- Current rating: 20A
- Wire range:
- Solid wire(AWG): 12-22
- Stranded wire(AWG): 12-22
- Torque(Lb-In): 2.4
- Screw: M2.5
- Wire strip length: 10-11mm
- Withstanding Voltage: 1.6KV
- Operating temperature: -40°C to +115°C
- Soldering temperature: 260°C±5°C/5 Sec
- Safety Approval: cULus

PART NO.: TR xx 1 5 x 1 A 0J0 G

N=Number of Poles  
Dim L=Nx10.0-2.5  
Dim P=(N-1)x10.0

Poles	2P-4P	5P-8P	9P-12P
Dim L	±0.20	±0.30	±0.40
Dim P	±0.20	±0.25	±0.30

End stackable	0	Body Color	Black (RAL9005)	RoHS compliant	(lead<4%)
No. of poles	2		Red (RAL3001/D)	In copper Alloy	
02	2 poles		3 Orange(RAL2011/P)		
03	3 poles		4 Yellow(RAL1018/A)		
...	...		5 Green(RAL6018/T)		
12	12 poles		6 Blue (RAL5015/A)		
			8 Grey(RAL7035/D)		
			9 White(RAL1102)		
			C Green(RAL6018/U)		

mat'l. code		surface ASME Y14.5	tolerance ASME Y14.5	projection	product family
ltr ecn no dr date		tolerances unless otherwise specified		MM	TERMINAL BLOCK
		angles	X.±0.5	scale	title
		X*±1"	X.X±0.3		TERMINAL BLOCK
		dr	EVIN ZHONG 040114		WIRE PROTECTOR,90D WIRE INLET
		enrg	EVIN ZHONG 040114		dwg no
		chr	HANKE FENG 040114		TRxx15x1A0J0G
		appd	SHI JUN 040114		sheet 1 of 1
					size
					A4
sheet index		revision	A		type
		sheet	1		CUSTOMER Drawing