



Chipsmall Limited consists of a professional team with an average of over 10 year of expertise in the distribution of electronic components. Based in Hongkong, we have already established firm and mutual-benefit business relationships with customers from,Europe,America and south Asia,supplying obsolete and hard-to-find components to meet their specific needs.

With the principle of “Quality Parts,Customers Priority,Honest Operation,and Considerate Service”,our business mainly focus on the distribution of electronic components. Line cards we deal with include Microchip,ALPS,ROHM,Xilinx,Pulse,ON,Everlight and Freescale. Main products comprise IC,Modules,Potentiometer,IC Socket,Relay,Connector.Our parts cover such applications as commercial,industrial, and automotives areas.

We are looking forward to setting up business relationship with you and hope to provide you with the best service and solution. Let us make a better world for our industry!



Contact us

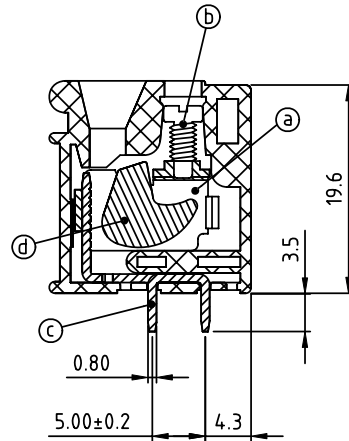
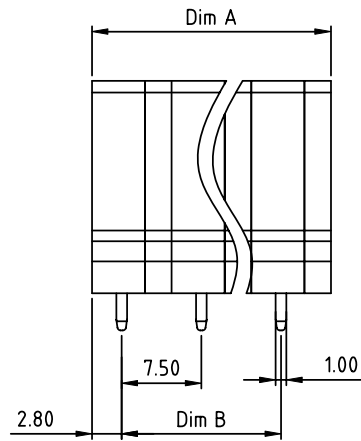
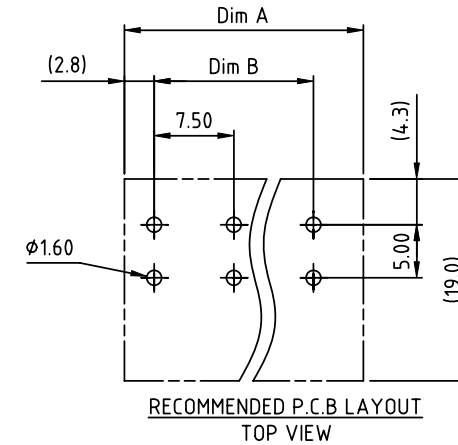
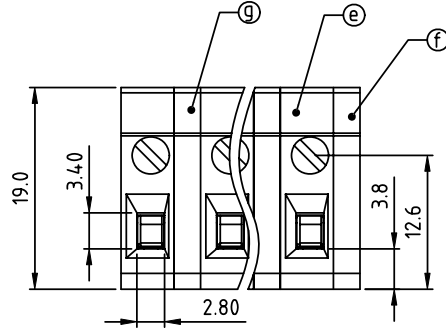
Tel: +86-755-8981 8866 Fax: +86-755-8427 6832

Email & Skype: info@chipsmall.com Web: www.chipsmall.com

Address: A1208, Overseas Decoration Building, #122 Zhenhua RD., Futian, Shenzhen, China



PRODUCT NUMBER	PITCH
TRxx25x000J0G	7.50mm



Material:

- Item (a) Terminal body (metal housing): steel stamping Zinc plating
- Item (b) Terminal screw: Steel Zinc plating "-" slot type
- Item (c) Contacts: Brass, Tin plated
- Item (d) Firm wire chunk: steel Zinc plating
- Item (e) Terminal (housing): Thermoplastic (UL94V-0)
- Item (f) Terminal cover: Thermoplastic (UL94V-0)
- Item (g) padding block: Thermoplastic (UL94V-0)

Electrical cULus

- Voltage rating: 300VAC
- Current rating: 20A
- Wire range:
- Solid wire (AWG): 12-22
- Stranded wire (AWG): 12-22
- Torque (Lb-In): 2.4
- Screw: M2.5
- Wire strip length: 10-11mm
- Withstanding Voltage: 1.6KV
- Operating temperature: -40°C to +115°C
- Soldering temperature: 260°C±5°C/5 Sec
- Safety Approval:

N = Number of poles
Dim A = N x 7.5
Dim B = (N-1) x 7.5

poles	Dim A	Dim B
2-6p	±0.20	±0.20
7-12p	±0.30	±0.30
13-16p	±0.40	±0.40

PART NO.: TR xx 2 5 x 0 00J0 G

End stackable	0	Body Color	Black (RAL9005)	RoHS compliant	(lead<4%)
No. of poles	2		Red (RAL3001/D)	In copper Alloy	
02 2 poles	3		Orange (RAL2011/P)		
03 3 poles	4		Yellow (RAL1018/A)		
...	5		Green (RAL6018/T)		
16 16 poles	6		Blue (RAL5015/A)		
	8		Grey (RAL7035/D)		
	9		White (RAL1102)		
	C		Green (RAL6018/U)		

mat'l. code		surface ASME Y14.5	tolerance ASME Y14.5	projection	product family TERMINAL BLOCK
ltr	ecn no	dr	date		title TERMINAL BLOCK
				tolerances unless otherwise specified	WIRE PROTECTOR, 90D WIRE INLET
				angles X±0.5	scale
				±0.1	MM
				X*±1"	X.XX±0.1
				dr	EVIN ZHONG 040114
				enrg	EVIN ZHONG 040114
				chr	HANKE FENG 040114
				appd	SHI JUN 040114
sheet index		revision	A		dwg no TRxx25x000J0G
		sheet	1		sheet 1 of 1
					type CUSTOMER Drawing