



Chipsmall Limited consists of a professional team with an average of over 10 year of expertise in the distribution of electronic components. Based in Hongkong, we have already established firm and mutual-benefit business relationships with customers from,Europe,America and south Asia,supplying obsolete and hard-to-find components to meet their specific needs.

With the principle of “Quality Parts,Customers Priority,Honest Operation,and Considerate Service”,our business mainly focus on the distribution of electronic components. Line cards we deal with include Microchip,ALPS,ROHM,Xilinx,Pulse,ON,Everlight and Freescale. Main products comprise IC,Modules,Potentiometer,IC Socket,Relay,Connector.Our parts cover such applications as commercial,industrial, and automotives areas.

We are looking forward to setting up business relationship with you and hope to provide you with the best service and solution. Let us make a better world for our industry!



Contact us

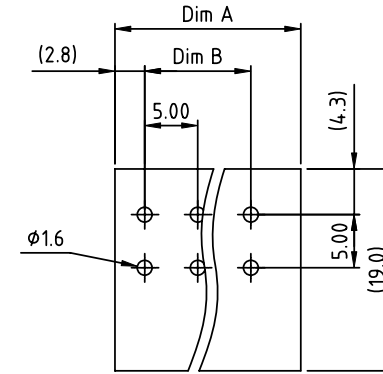
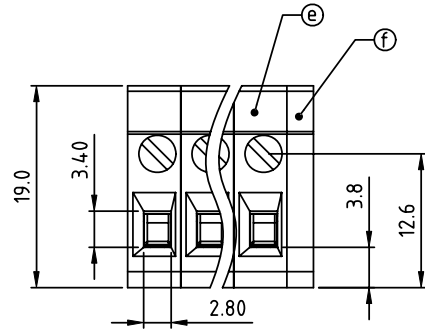
Tel: +86-755-8981 8866 Fax: +86-755-8427 6832

Email & Skype: info@chipsmall.com Web: www.chipsmall.com

Address: A1208, Overseas Decoration Building, #122 Zhenhua RD., Futian, Shenzhen, China



PRODUCT NUMBER	PITCH
TRxx05x000J0G	5.00 mm



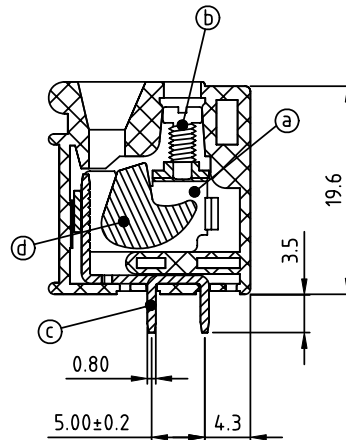
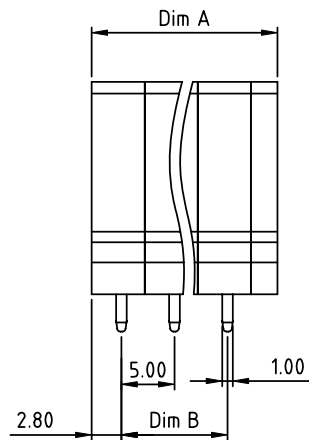
RECOMMENDED P.C.B LAYOUT
TOP VIEW

Material:

- Item (a) Terminal body (metal housing): steel stamping Zinc plating
- Item (b) Terminal screw: Steel Zinc plating "-" slot type
- Item (c) Contacts: Brass, Tin plated
- Item (d) Firm wire chunk: steel Zinc plating
- Item (e) Terminal (housing): Thermoplastic (UL94V-0)
- Item (f) Terminal cover: Thermoplastic (UL94V-0)

Electrical cULus

- Voltage rating: 300VAC
- Current rating: 20A
- Wire range:
- Solid wire (AWG): 12-22
- Stranded wire (AWG): 12-22
- Torque (Lb-In): 2.4
- Screw: M2.5
- Wire strip length: 10-11mm
- Withstanding Voltage: 1.6KV
- Operating temperature: -40°C to +115°C
- Soldering temperature: 260°C ± 5°C / 5 Sec
- Safety Approval: cULus



N = Number of poles
Dim A = N x 5.0 + 2.5
Dim B = (N - 1) x 5.0

Poles	Tolerance
1p	±0.10
2p-6p	±0.20
7p-12p	±0.25
13p-18p	±0.35
19p-24p	±0.40

PART NO.: TR xx 0 5 x 0 00J0 G

End stackable	0	Black (RAL9005)	RoHS compliant (lead < 4%) In copper Alloy
No. of poles	2	Red (RAL3001/D)	
01	1 pole	3 Orange (RAL2011/P)	
02	2 poles	4 Yellow (RAL1018/A)	
...	...	5 Green (RAL6018/T)	
24	24 poles	6 Blue (RAL5015/A)	
		8 Grey (RAL7035/D)	
		9 White (RAL1102)	
		C Green (RAL6018/U)	

mat'l. code		surface ASME Y14.5 ✓	tolerance ASME Y14.5	projection MM	product family TERMINAL BLOCK
ltr	ecn no	dr	date	tolerances unless otherwise specified	title TERMINAL BLOCK WIRE PROTECTOR, 90D WIRE INLET
				angles X ± 0.5 X.X ± 0.3 X* ± 1*	scale
				dr EVIN ZHONG 040114	dwg no
				enr EVIN ZHONG 040114	sheet 1 of 1
				chr HANKE FENG 040114	size A4
				appd SHI JUN 040114	TRxx05x000J0G
sheet index	revision sheet	A	1		type CUSTOMER Drawing