



Chipsmall Limited consists of a professional team with an average of over 10 year of expertise in the distribution of electronic components. Based in Hongkong, we have already established firm and mutual-benefit business relationships with customers from,Europe,America and south Asia,supplying obsolete and hard-to-find components to meet their specific needs.

With the principle of “Quality Parts,Customers Priority,Honest Operation,and Considerate Service”,our business mainly focus on the distribution of electronic components. Line cards we deal with include Microchip,ALPS,ROHM,Xilinx,Pulse,ON,Everlight and Freescale. Main products comprise IC,Modules,Potentiometer,IC Socket,Relay,Connector.Our parts cover such applications as commercial,industrial, and automotives areas.

We are looking forward to setting up business relationship with you and hope to provide you with the best service and solution. Let us make a better world for our industry!



Contact us

Tel: +86-755-8981 8866 Fax: +86-755-8427 6832

Email & Skype: info@chipsmall.com Web: www.chipsmall.com

Address: A1208, Overseas Decoration Building, #122 Zhenhua RD., Futian, Shenzhen, China



NOTES:

1. HARDWARE SHIPPED UNASSEMBLED.
2. THIS JACK SHOULD BE ONLY USED WITH SWITCHCRAFT $\varnothing 0.097$ SUBMINIATURE PHONE PLUGS. (850 & 851 SERIES)

3. MATERIALS:

BUSHING - NICKEL-PLATED COPPER ALLOY
 INSULATING SPACERS - RIGID PLASTIC
 TIP, SHUNT AND SLEEVE TERMINALS - SILVER-PLATED COPPER ALLOY
 HARDWARE - NICKEL-PLATED COPPER ALLOY

4. SPECIFICATION:

SPRING LIFE, INSERTION AND WITHDRAWAL, 2500 CYCLES
 SEE NOTE 2

DIELECTRIC STRENGTH, 250 VRMS A.C. BETWEEN TIP SPRING
 AND BUSHING AND BETWEEN BREAK SHUNT SPRING AND BUSHING.

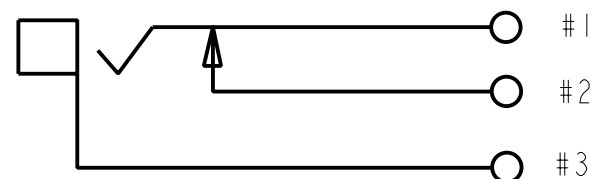
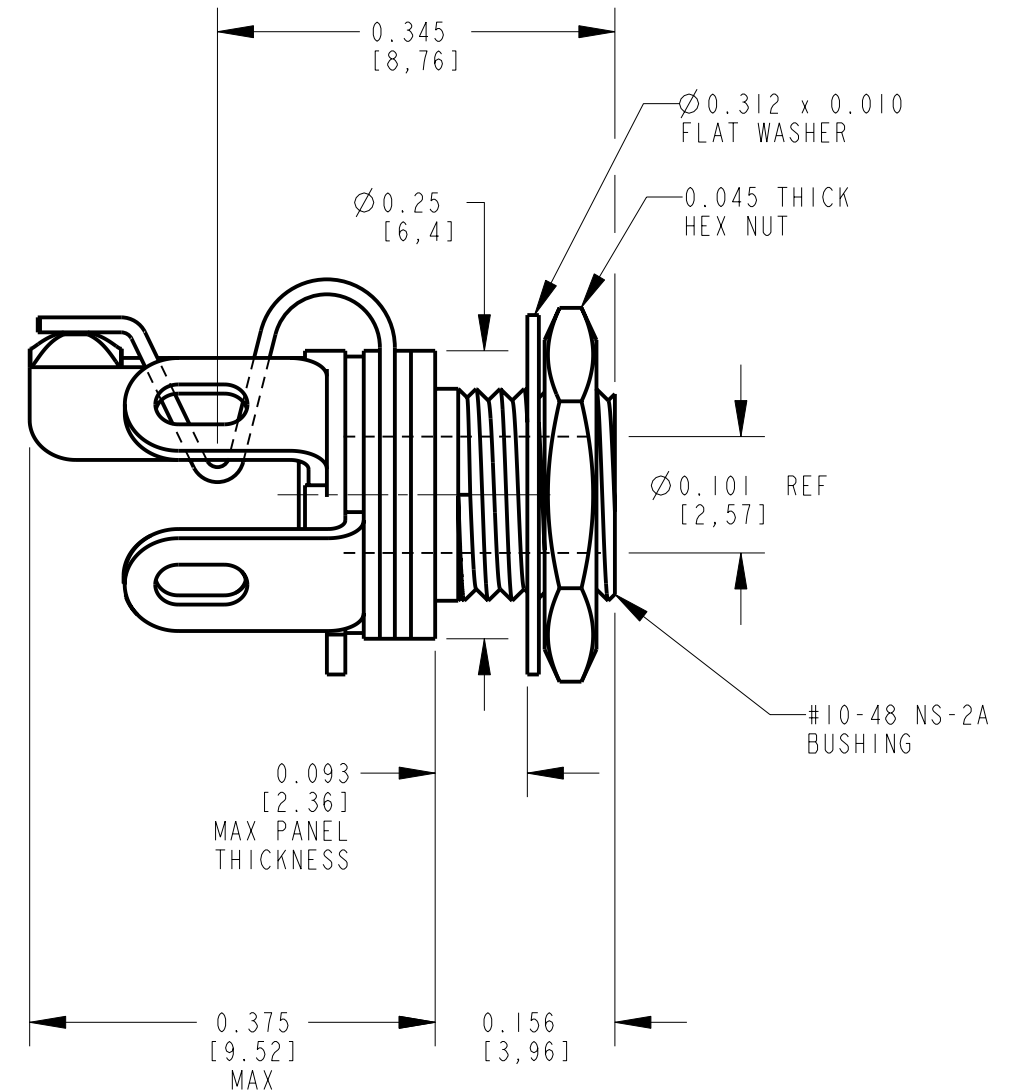
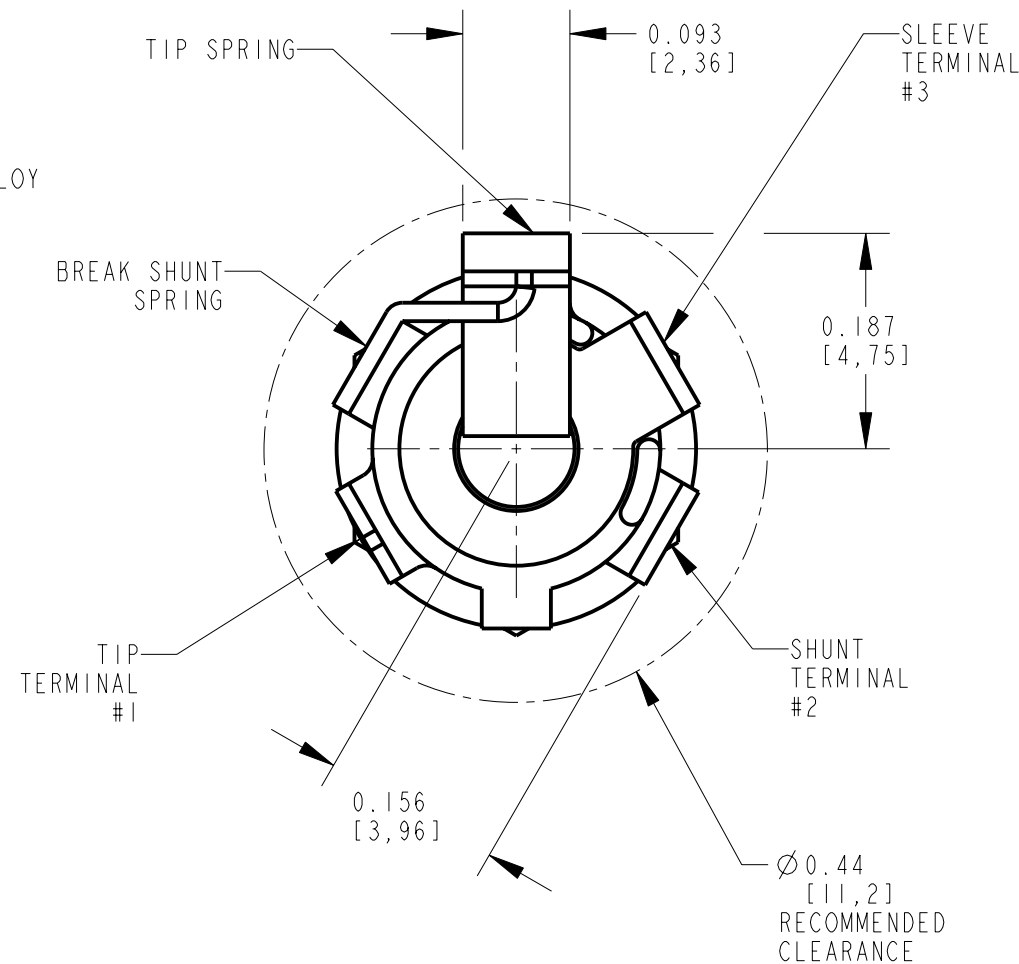
CONTACT RESISTANCE: 0.1 OHM MAX. BETWEEN TIP SPRING
 AND BREAK SHUNT SPRING.

CAPACITANCE BETWEEN ONE CONTACT AND ALL OTHER
 CONDUCTING PARTS TO BE 12 MMFD MAX.

INSULATION RESISTANCES:
 AS RECEIVED: 75 MEGOHMS (MAX)
 WET: 1.5 MEGOHMS (MIN)
 (MEASURED FROM ONE CONTACT TO
 ALL OTHER CONDUCTING PARTS)

SAFE OPERATION TEMP.: 75°C (MAX)

INSERTION FORCE: 21LBS. (MAX)
 WITHDRAWAL FORCE: 0.5LB. (MIN)
 SEE NOTE 2



SCHEMATIC

CUSTOMER DRAWING

REV	ECO NUMBER	DATE	BY	APVD
E	24774	10-1-07	JL	TJK
D	21206	1-27-97	CR	JF
C	20848	1-27-97	CR	JF
B	20834	1-27-97	CR	JF
A	20627	3-5-96	CR	JF

★ STAR SYMBOL DENOTES CRITICAL DIMENSION

UNLESS OTHERWISE SPECIFIED

1. ALL DIMENSIONS IN INCHES
 - TWO PLACE DECIMALS ± 0.01
 - THREE PLACE DECIMALS ± 0.005
 - ANGLES ± 1
 - ALL DIA. CONCENTRIC WITHIN 0.005 T.I.R.
2. FEATURES ON THE SAME CENTERLINE
 MUST BE ALIGNED WITHIN ± 0.002
3. REMOVE ALL BURRS

DO NOT SCALE DRAWING

THIS DRAWING DESCRIBES A DESIGN CONSIDERED PROPRIETARY IN NATURE, DEVELOPED AND MANUFACTURED BY SWITCHCRAFT INC. AND IS RELEASED ON A CONFIDENTIAL BASIS FOR IDENTIFICATION PURPOSES ONLY.									
SIZE		WIDTH		MULT		LBS/M		TEMPER	
FINISH					MATERIAL				
SPEC No.					SPEC No.				
FIRST USED ON				SCALE					
				6:1					
DATE DRAWN	BY	CHKD	APVD	Switchcraft [®]					
4-10-95	ES	GHJ	GHJ						
NAME				PART No.		REV			
TR SERIES (MICRO)				TR2A		E			
SUBMINIATURE JACK TYPE 2									