



Chipsmall Limited consists of a professional team with an average of over 10 year of expertise in the distribution of electronic components. Based in Hongkong, we have already established firm and mutual-benefit business relationships with customers from,Europe,America and south Asia,supplying obsolete and hard-to-find components to meet their specific needs.

With the principle of “Quality Parts,Customers Priority,Honest Operation,and Considerate Service”,our business mainly focus on the distribution of electronic components. Line cards we deal with include Microchip,ALPS,ROHM,Xilinx,Pulse,ON,Everlight and Freescale. Main products comprise IC,Modules,Potentiometer,IC Socket,Relay,Connector.Our parts cover such applications as commercial,industrial, and automotives areas.

We are looking forward to setting up business relationship with you and hope to provide you with the best service and solution. Let us make a better world for our industry!



## Contact us

Tel: +86-755-8981 8866 Fax: +86-755-8427 6832

Email & Skype: info@chipsmall.com Web: www.chipsmall.com

Address: A1208, Overseas Decoration Building, #122 Zhenhua RD., Futian, Shenzhen, China



GlobTek, Inc.  
 www.globtek.com  
 186 Veterans Drive,  
 Northvale, NJ 07647  
 Tel. (201) 784-1000  
 Fax (201) 784-0111

Drawing Title: GTM96600-6012-T2A, ITE / Medical Power Supply, Efficiency Level: VI, Case Color/Style: GlobTek Black, Desktop/External, Regulated Switchmode AC-DC Power Supply AC Adaptor, Input Rating: 100-240V~, 50-60Hz, IEC 60320/C18 , Output Rating: 60W, 12V@5A, Output Configuration: 1200 mm, 16/1C + Shield Cond, UL 1185, Female Barrel 5.5 \* 2.5 \* 11mm with internal Spring Clip and Locking Notch or Equal, Ferrite: Core Size: RH 14.2\*28.5\*10, GlobTek Black, GT Cord # C4746, Pin Out: Center Positive (+V), Blades/Input Cord: Not Applicable, Approvals: CB 230V CoC Tier 2 South African ETL IP42 PSE PSE PSE CE China RoHS Level VI RoHS Ukraine VCCI WEEE ETL S-Mark RCM CB Double Insulation CB S-Mark EAC LPS South African

Model No. GTM96600-6012-T2A

Part No./Ordering No. TR9WE5000LCPCIMR6B

Rev B1

## REVISION HISTORY

REV	DESCRIPTION	SUB	DATE	APPROVED
B1	Remove UL mark from approvals on the label	QA	01/25/2018	QA
B	Update enclosure drawing.	rchiu		QA
A	Initial Release	jwarn	05/02/2017	QA

In Addition to GlobTek Inc.'s renewed ISO9001:2008 - Quality Management System Certification, GlobTek Inc. is now certified to:

ISO13485:2003 - Medical Devices Quality Management System Certification  
 ISO14001:2004 - Environmental Management System Certification

ISO Certificates are available online at <http://www.globtek.com/iso-certificates/>

### Customer Approval of Specification:

Please approve, sign and send back to GlobTek so we can complete order processing.

A delay in receipt of this form will delay delivery schedule.

Company Name:

Customer P/N:

Quote Number:

Date:

Authorized Representative Name:

Authorized Representative Signature:

The acceptance of this specification and use of the product described in this document indicates the acceptance and binding of the customer to Globtek terms and conditions, which supersede all other agreements, terms, and conditions (<http://en.globtek.com/terms-and-conditions/>).

### Footnote:

GlobTek Inc. will not be liable for the safety and performance of these power supplies if unauthorized access and repair occurs. End user should consult applicable UL, CSA or EN standards for proper installation instruction.

### Limitation of Use:

GlobTek product are not authorized for use as mission critical components in life support hazardous environment, nuclear or aircraft applications without prior written approval from the CEO of GlobTek Inc.

Contents of this document are subject to change without prior notice.

GTM96600-6012-T2A, 60W, 12V@5A, Desktop/External, Regulated Switchmode AC-DC Power Supply AC Adaptor

PROPRIETARY INFORMATION

PROPRIETARY OF GLOBTEK, INC. ANY REPRODUCTION, DISCLOSURE OR USE OF THIS DRAWING, IN WHOLE OR IN PART, IS HEREBY PROHIBITED EXCEPT AS SPECIFIED IN WRITING BY GLOBTEK, INC.

GloTek, Inc. www.globtek.com 186 Veterans Drive, Northvale, NJ 07647 Tel. (201) 784-1000 Fax (201) 784-0111	Drawing Title: GTM96600-6012-T2A, ITE / Medical Power Supply, Efficiency Level: VI, Case Color/Style: GlobTek Black, Desktop/External, Regulated Switchmode AC-DC Power Supply AC Adaptor, Input Rating: 100-240V~, 50-60Hz, IEC 60320/C18 , Output Rating: 60W, 12V@5A, Output Configuration: 1200 mm, 16/1C + Shield Cond, UL 1185, Female Barrel 5.5 * 2.5 * 11mm with internal Spring Clip and Locking Notch or Equal, Ferrite: Core Size: RH 14.2*28.5*10, GlobTek Black, GT Cord # C4746, Pin Out: Center Positive (+V), Blades/Input Cord: Not Applicable, Approvals: CB 230V CoC Tier 2 South African ETL IP42 PSE PSE PSE CE China RoHS Level VI RoHS Ukraine VCCI WEEE ETL S-Mark RCM CB Double Insulation CB S-Mark EAC LPS South African	
	Model No. GTM96600-6012-T2A	
	Part No./Ordering No. TR9WE5000LCPCIMR6B	Rev B1

**POWER SUPPLY INFORMATION**

TYPE: Desktop/External  
TECHNOLOGY: Regulated Switchmode AC-DC Power Supply AC Adaptor  
CASE COLOR: GlobTek Black  
NAMEPLATE RATED INPUT: 100-240V~, 50-60Hz, 1.5A  
INPUT CONFIG: IEC 60320/C18  
WATTS: 60.0  
VOLTS OUT: 12  
CURRENT OUT (Amps): 5  
BLADE/CORD INCLUDED: N/A:  
BLADE/CORD INSTALLED: N/A:  
GROUNDING CONFIGURATION (F1) Class II / Double Insulated  
EFFICIENCY LEVEL: VI  
OUTPUT CONFIGURATION 1200 mm, 16/1C + Shield Cond, UL 1185, Female Barrel 5.5 \* 2.5 \* 11mm with internal Spring Clip and Locking Notch or Equal, Ferrite: Core Size: RH 14.2\*28.5\*10, GlobTek Black, GT Cord # C4746  
CONNECTOR PIN OUT: Center Positive (+V)  
LABEL SPECS: Standard GT,L-1186  
PACK SPEC: Standard DT, Individually Box

Notes/Modifications/Customizations (notes in this section supersede the values shown in the standard spec):

DIMENSIONS ARE IN MM UNLESS SPECIFIED OTHERWISE.

GloTek, Inc. www.globtek.com 186 Veterans Drive, Northvale, NJ 07647 Tel. (201) 784-1000 Fax (201) 784-0111	Drawing Title: GTM96600-6012-T2A, ITE / Medical Power Supply, Efficiency Level: VI, Case Color/Style: GlobTek Black, Desktop/External, Regulated Switchmode AC-DC Power Supply AC Adaptor, Input Rating: 100-240V~, 50-60Hz, IEC 60320/C18 , Output Rating: 60W, 12V@5A, Output Configuration: 1200 mm, 16/1C + Shield Cond, UL 1185, Female Barrel 5.5 * 2.5 * 11mm with internal Spring Clip and Locking Notch or Equal, Ferrite: Core Size: RH 14.2*28.5*10, GlobTek Black, GT Cord # C4746, Pin Out: Center Positive (+V), Blades/Input Cord: Not Applicable, Approvals: CB 230V CoC Tier 2 South African ETL IP42 PSE PSE CE China RoHS Level VI RoHS Ukraine VCCI WEEE ETL S-Mark RCM CB Double Insulation CB S-Mark EAC LPS South African	
	Model No. GTM96600-6012-T2A	
	Part No./Ordering No. TR9WE5000LCPCIMR6B	Rev B1

## ELECTRICAL SPECIFICATIONS

### A) ELECTRICAL SPECIFICATIONS:

01. Input Voltage: Specified 90-264 Vac, Nameplate rated: 100-240Vac
  - 90-264 Vac range @ 100% of rated load current
  - 85-264 Vac range @ 85% of rated load current
  - 110-370 VDC range @ 100% of rated load current
02. Input Frequency: Specified 47-63 Hz, Nameplate rated 50-60Hz
03. Output Regulation: +/- 5% measured at the output connector
04. Line Voltage Regulation: +/- 0.5% typical measured at full load
05. Green Power On Indicator LED
06. Output Ripple (Vp-p): 1% or 100 mV whichever is greater, measured at 20 MHz bandwidth with 0.1 uf ceramic capacitor in parallel with a low impedance 47 uf electrolytic capacitor connected at the end of the output connector
07. Turn-ON/OFF Overshoot: 5% maximum, 1 mS typical recovery time for 40% to 70% step load
08. Turn-ON Delay: 1 second maximum @ full load, nominal line
09. Hold-Up Time: 8 mS typical @ nominal input voltage and full load
10. Inrush Current: 30A/60A maximum cold start @ 115/230Vac input
11. Efficiency: Compliant with Efficiency Level VI and CoC Tier 2 standards
12. No Load Standby Power: <0.075 W @ 230Vac for <= 49W output power rating,  
<0.15W @ 230Vac for > 49W output power rating

### B) PROTECTION

01. Input Protection: Input line fusing and 300Vac MOV
02. Short Circuit/ Overload: Electronically Protected unit will auto recover upon removal of fault
  - Output Current Limit: 110% to 160% of rated output current
  - (upper end of current limit range is determined by normal output power rating, not derated output power level)
03. Output Over-Voltage: 110% to 130% of nominal output voltage

### C) SAFETY

01. Dielectric Withstand Voltage: 4000Vac or 5656Vdc from input to output, On Class I models, 3000Vac or 4242Vdc from input to earth
02. Earth Leakage Current: Class I models < 300uA, N/A for Class II models
03. Touch Current: Class I models < 20uA, Class II models < 75uA
04. Output Isolation Options:
  - a) C8 or C18 Inlet, Class II
  - b) C6 or C14 Inlet, Class II FE, Output Isolated from Earth contact
  - c) C6 or C14 Inlet, Class I, Output negative directly attached to Earth contact
05. Earth Continuity Test: < 0.1 Ohm between Earth Pin at AC input and PCB termination point (Class I models only)
06. Means of Protection: 2 x MOPP
07. Compliant Standards: See listings at end of this drawing for specifics

### D) EMC

- EN 60601-1-2, 4<sup>th</sup> edition  
Emissions, per EN 55032, EN 61000-6-3, EN 61000-6-4  
Conducted Emissions: Class B, FCC Part 15, Class B  
Radiated Emissions: Class B, FCC Part 15, Class B  
Line Frequency Harmonics EN61000-3-2, Class A  
Voltage Fluctuations/Flicker EN61000-3-3
- Immunity, per EN 55024, EN 61000-6-1, EN 61000-6-2  
Static Discharge Immunity EN61000-4-2, 10kV Contact Discharge, 20kV air discharge  
Radiated RF Immunity EN61000-4-3, 10V/m 80-1000MHz, 3V/m 1-2.7GHz, 80% 1KHz AM.  
EFT/Burst Immunity EN61000-4-4, 4kV/100kHz.  
Line Surge Immunity EN61000-4-5, 2kV differential, 4kV common-mode  
Conducted RF Immunity EN61000-4-6, 3Vrms, 80% 1KHz AM  
Power Frequency Magnetic Field Immunity EN61000-4-8, 3A/m  
Voltage Dip Immunity EN61000-4-11, Criteria

### E) OTHER:

01. MTBF: 1,000,000 Hours @ 40°C ambient temperature, Full Load
02. Operating Temperature:

#### PROPRIETARY INFORMATION

PROPRIETARY OF GLOBTEK, INC. ANY REPRODUCTION, DISCLOSURE OR USE OF THIS DRAWING, IN WHOLE OR IN PART, IS HEREBY PROHIBITED EXCEPT AS SPECIFIED IN WRITING BY GLOBTEK, INC.

quest /08/20/2018 7:42:14 AM

GlobTek, Inc. www.globtek.com 186 Veterans Drive, Northvale, NJ 07647 Tel. (201) 784-1000 Fax (201) 784-0111	Drawing Title: GTM96600-6012-T2A, ITE / Medical Power Supply, Efficiency Level: VI, Case Color/Style: GlobTek Black, Desktop/External, Regulated Switchmode AC-DC Power Supply AC Adaptor, Input Rating: 100-240V~, 50-60Hz, IEC 60320/C18 , Output Rating: 60W, 12V@5A, Output Configuration: 1200 mm, 16/1C + Shield Cond, UL 1185, Female Barrel 5.5 * 2.5 * 11mm with internal Spring Clip and Locking Notch or Equal, Ferrite: Core Size: RH 14.2*28.5*10, GlobTek Black, GT Cord # C4746, Pin Out: Center Positive (+V), Blades/Input Cord: Not Applicable, Approvals: CB 230V CoC Tier 2 South African ETL IP42 PSE PSE PSE CE China RoHS Level VI RoHS Ukraine VCCI WEEE ETL S-Mark RCM CB Double Insulation CB S-Mark EAC LPS South African	
	Model No. GTM96600-6012-T2A	
	Part No./Ordering No. TR9WE5000LCPCIMR6B	Rev B1

GTM96600 models: -20°C to 40°C ambient temperature at full load,  
-20°C to 50°C ambient temperature with derating to 80% load  
03. Operating Humidity: 0% to 95% relative humidity, non-condensing  
04. Storage Temperature: -30°C to 80°C  
05. Operating Altitude: 5000 Meters  
06. Ingress Protection: IP40 standard, IP52 available as special option  
07. ROHS: Compliant with latest regulations, see approvals section below

F) ENCLOSURE  
01. Housing: High impact plastic, 94V0 polycarbonate, non-vented  
02. Markings: Label or Laser Printed  
03. AC Input mechanical options: Desktop C6, C8, C14 or C18 IEC Inlet.  
Hybrid option (Desktop or Changeable Blade Wall Plug-in) Class I or Class II input

G) SPECIAL OPTIONS  
01. Cost reduction, removal of LED  
02. Custom Cordsets, various cordage types, and connector types  
03. Custom Markings  
04. Short term Output Surge Capability  
05. Reduced Leakage Current versions  
06. Tightened output voltage tolerance  
07. Reduced output ripple level  
08. Reduced output power rating marking  
09. High Rel PCB laminate with Plated through Holes for IPC610 Class 2 Compliance  
10. Low Temperature operation, down to -40°C  
11. Special Housing Colors and Cordset Colors

H) OUTPUT CONNECTORS  
Several output connector options are available with various output current ratings.  
GlobTek can supply 10A rated 2.1mm and 2.5mm style DC Power Jacks, to complement our 10A output rated 2.1mm and 2.5mm DC power plugs used on our output cordsets.  
2.1mm PCB DC Power Jack ordering code: **JACK-C-PC-10A-RA(R)**  
2.5mm PCB DC Power Jack ordering code: **JACK-L-PC-10A-RA(R)**

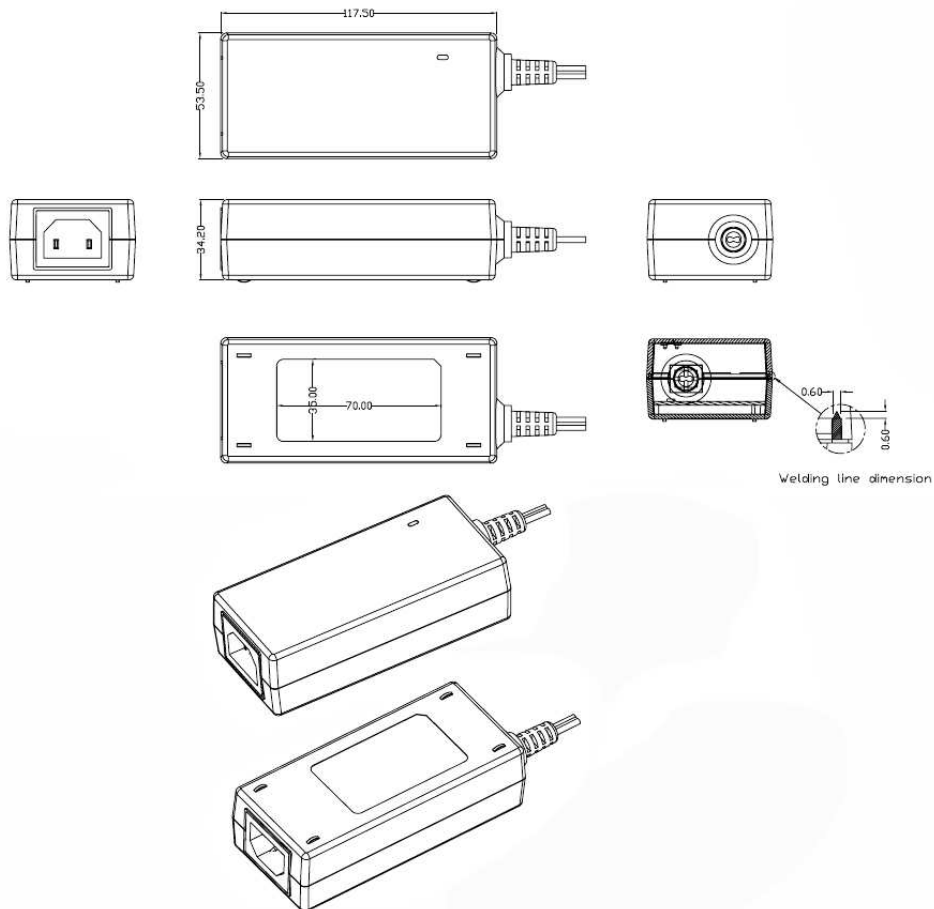
GlobTek, Inc.  
 www.globtek.com  
 186 Veterans Drive,  
 Northvale, NJ 07647  
 Tel. (201) 784-1000  
 Fax (201) 784-0111

Drawing Title: GTM96600-6012-T2A, ITE / Medical Power Supply, Efficiency Level: VI, Case Color/Style: GlobTek Black, Desktop/External, Regulated Switchmode AC-DC Power Supply AC Adaptor, Input Rating: 100-240V~, 50-60Hz, IEC 60320/C18, Output Rating: 60W, 12V@5A, Output Configuration: 1200 mm, 16/1C + Shield Cond, UL 1185, Female Barrel 5.5 \* 2.5 \* 11mm with internal Spring Clip and Locking Notch or Equal, Ferrite: Core Size: RH 14.2\*28.5\*10, GlobTek Black, GT Cord # C4746, Pin Out: Center Positive (+V), Blades/Input Cord: Not Applicable, Approvals: CB 230V CoC Tier 2 South African ETL IP42 PSE PSE PSE CE China RoHS Level VI RoHS Ukraine VCCI WEEE ETL S-Mark RCM CB Double Insulation CB S-Mark EAC LPS South African

Model No. GTM96600-6012-T2A

Part No./Ordering No. TR9WE5000LCPCIMR6B

Rev B1



DERATING CURVE

GlobTek, Inc.  
 www.globtek.com  
 186 Veterans Drive,  
 Northvale, NJ 07647  
 Tel. (201) 784-1000  
 Fax (201) 784-0111

Drawing Title: GTM96600-6012-T2A, ITE / Medical Power Supply, Efficiency Level: VI, Case Color/Style: GlobTek Black, Desktop/External, Regulated Switchmode AC-DC Power Supply AC Adaptor, Input Rating: 100-240V~, 50-60Hz, IEC 60320/C18, Output Rating: 60W, 12V@5A, Output Configuration: 1200 mm, 16/1C + Shield Cond, UL 1185, Female Barrel 5.5 \* 2.5 \* 11mm with internal Spring Clip and Locking Notch or Equal, Ferrite: Core Size: RH 14.2\*28.5\*10, GlobTek Black, GT Cord # C4746, Pin Out: Center Positive (+V), Blades/Input Cord: Not Applicable, Approvals: CB 230V CoC Tier 2 South African ETL IP42 PSE PSE PSE CE China RoHS Level VI RoHS Ukraine VCCI WEEE ETL S-Mark RCM CB Double Insulation CB S-Mark EAC LPS South African

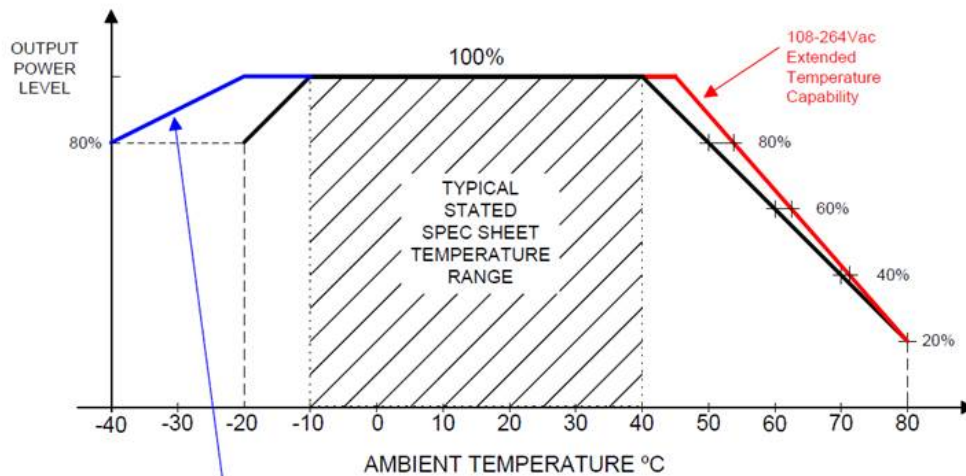
Model No. GTM96600-6012-T2A

Part No./Ordering No. TR9WE5000LCPCIMR6B

Rev B1

### TYPICAL EXTERNAL POWER SUPPLY DERATING CURVE

(FOR EFFICIENCY LEVEL V AND EFFICIENCY LEVEL VI PRODUCTS)



Blue Line represents special/optional Low Temperature, High Performance Construction

GlobTek, Inc.  
www.globtek.com  
186 Veterans Drive,  
Northvale, NJ 07647  
Tel. (201) 784-1000  
Fax (201) 784-0111

Drawing Title: GTM96600-6012-T2A, ITE / Medical Power Supply, Efficiency Level: VI, Case Color/Style: GlobTek Black, Desktop/External, Regulated Switchmode AC-DC Power Supply AC Adaptor, Input Rating: 100-240V~, 50-60Hz, IEC 60320/C18 , Output Rating: 60W, 12V@5A, Output Configuration: 1200 mm, 16/1C + Shield Cond, UL 1185, Female Barrel 5.5 \* 2.5 \* 11mm with internal Spring Clip and Locking Notch or Equal, Ferrite: Core Size: RH 14.2\*28.5\*10, GlobTek Black, GT Cord # C4746, Pin Out: Center Positive (+V), Blades/Input Cord: Not Applicable, Approvals: CB 230V CoC Tier 2 South African ETL IP42 PSE PSE PSE CE China RoHS Level VI RoHS Ukraine VCCI WEEE ETL S-Mark RCM CB Double Insulation CB S-Mark EAC LPS South African

Model No. GTM96600-6012-T2A

Part No./Ordering No. TR9WE5000LCPCIMR6B

Rev B1

## INPUT CONFIGURATION

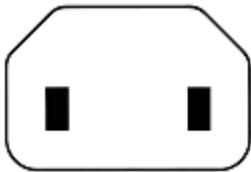
Grounding Configuration:

Blades/Cord Included: N/A:

Blades/Cord Installed: N/A:

IEC 60320/C18 AC Inlet connector, Class II, Non-Earth Ground

Mates with IEC 60320/C17 Plug



### [Standard International IEC 320/C17 Cordsets](#)

Below are standard cordsets which are "not included" (unless stated above); these may be purchased separately or packaged with the power supply. Please contact your Sales Engineer if the style required is not shown below. Many more available in different lengths, colors or cable material.

Part Number/ Link	Country	Plug	Termination	Length (mm)	(Ft)
2034231M871A	Italy	CEI 23-16	IEC 320/C17	1777	5.83
204B4064M071(R)	Brazil	NBR 14136	IEC 320/C17	4000	13
<a href="#">2074232M071C(R)</a>	Europe	CEE 7/7	IEC 320/C17	2000	6.6
208A41111M8071A(R)	India	IS 1293	IEC 320/C17	1800	6
209A4064M071(R)	Argentina	IRAM 2063	IEC 320/C17	4000	13
401P1086F071A	North America	NEMA 1-15P	IEC 320/C17	1828	6
401P1086F071A(R)	North America	NEMA 1-15P	IEC 320/C17	1828	6
401P1086F071C	North America	NEMA 1-15P	IEC 320/C17	1828	6
401P1219F71A	North America	NEMA 1-15P	IEC 320/C17	2743	9

PROPRIETARY INFORMATION

PROPRIETARY OF GLOBTEK, INC. ANY REPRODUCTION, DISCLOSURE OR USE OF THIS DRAWING, IN WHOLE OR IN PART, IS HEREBY PROHIBITED EXCEPT AS SPECIFIED IN WRITING BY GLOBTEK, INC.

Page 7 of 13

quest /08/20/2018 7:42:14 AM



GlobTek, Inc.  
 www.globtek.com  
 186 Veterans Drive,  
 Northvale, NJ 07647  
 Tel. (201) 784-1000  
 Fax (201) 784-0111

Drawing Title: GTM96600-6012-T2A, ITE / Medical Power Supply, Efficiency Level: VI, Case Color/Style: GlobTek Black, Desktop/External, Regulated Switchmode AC-DC Power Supply AC Adaptor, Input Rating: 100-240V~, 50-60Hz, IEC 60320/C18 , Output Rating: 60W, 12V@5A, Output Configuration: 1200 mm, 16/1C + Shield Cond, UL 1185, Female Barrel 5.5 \* 2.5 \* 11mm with internal Spring Clip and Locking Notch or Equal, Ferrite: Core Size: RH 14.2\*28.5\*10, GlobTek Black, GT Cord # C4746, Pin Out: Center Positive (+V), Blades/Input Cord: Not Applicable, Approvals: CB 230V CoC Tier 2 South African ETL IP42 PSE PSE PSE CE China RoHS Level VI RoHS Ukraine VCCI WEEE ETL S-Mark RCM CB Double Insulation CB S-Mark EAC LPS South African

Model No. GTM96600-6012-T2A

Part No./Ordering No. TR9WE5000LCPCIMR6B

Rev B1

4033401M8071(R)	Taiwan	CNS10917	IEC 320/C17	1800	6
5014112M071A(R)	Australia	AS3112	IEC 320/C17	2000	6
6104112M071A(R)	United Kingdom	BS1363 (FUSE 3A)	IEC 320/C17	2000	6

GlobTek, Inc.  
 www.globtek.com  
 186 Veterans Drive,  
 Northvale, NJ 07647  
 Tel. (201) 784-1000  
 Fax (201) 784-0111

Drawing Title: GTM96600-6012-T2A, ITE / Medical Power Supply, Efficiency Level: VI, Case Color/Style: GlobTek Black, Desktop/External, Regulated Switchmode AC-DC Power Supply AC Adaptor, Input Rating: 100-240V~, 50-60Hz, IEC 60320/C18 , Output Rating: 60W, 12V@5A, Output Configuration: 1200 mm, 16/1C + Shield Cond, UL 1185, Female Barrel 5.5 \* 2.5 \* 11mm with internal Spring Clip and Locking Notch or Equal, Ferrite: Core Size: RH 14.2\*28.5\*10, GlobTek Black, GT Cord # C4746, Pin Out: Center Positive (+V), Blades/Input Cord: Not Applicable, Approvals: CB 230V CoC Tier 2 South African ETL IP42 PSE PSE PSE CE China RoHS Level VI RoHS Ukraine VCCI WEEE ETL S-Mark RCM CB Double Insulation CB S-Mark EAC LPS South African

Model No. GTM96600-6012-T2A

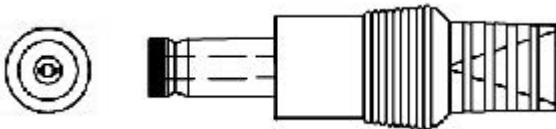
Part No./Ordering No. TR9WE5000LCPCIMR6B

Rev B1

**OUTPUT CORD AND CONNECTOR: LCL/C4746**

ACTUAL CONNECTORS, OVERMOLDS, FERRITES MAY VARY SLIGHTLY FROM THE PICTURE BELOW

CABLE TYPE	UL 1185
CABLE LENGTH (mm)	1200
CABLE TOLERANCE (mm)	+150 -0
WIRE GAUGE (AWG)	16
CONDUCTORS	1C + Shield
HANK DIMENSION (mm)	70 ± 10
CABLE / CONNECTOR OVERMOLD COLOR	GlobTek Black
FERRITE TYPE / DIMENSION	Core Size: RH 14.2*28.5*10
FERRITE # OF TURNS ( <a href="#">Definition</a> )	2 Pass thru core (1 turns)
FERRITE DIMENSION FROM STRAIN RELIEF	50 ±10
FERRITE DIMENSION FROM PLUG	N/A
PLUG TYPE	Female Barrel 5.5 * 2.5 * 11mm with internal Spring Clip and Locking Notch or Equal
OVER MOLD ORIENTATION	Straight
CONNECTOR PIN OUT:	Center Positive (+V)
ADDITIONAL REQUIREMENTS	



ADDITIONAL OUTPUT PLUG OPTIONS ARE AVAILABLE AT <http://www.globtek.com/connectors/>  
 STANDARD PLUGS AND CONNECTORS CAN BE SEEN ONLINE AT <http://www.globtek.com/connectors/>

GlobTek, Inc.  
 www.globtek.com  
 186 Veterans Drive,  
 Northvale, NJ 07647  
 Tel. (201) 784-1000  
 Fax (201) 784-0111

Drawing Title: GTM96600-6012-T2A, ITE / Medical Power Supply, Efficiency Level: VI, Case Color/Style: GlobTek Black, Desktop/External, Regulated Switchmode AC-DC Power Supply AC Adaptor, Input Rating: 100-240V~, 50-60Hz, IEC 60320/C18, Output Rating: 60W, 12V@5A, Output Configuration: 1200 mm, 16/1C + Shield Cond, UL 1185, Female Barrel 5.5 \* 2.5 \* 11mm with internal Spring Clip and Locking Notch or Equal, Ferrite: Core Size: RH 14.2\*28.5\*10, GlobTek Black, GT Cord # C4746, Pin Out: Center Positive (+V), Blades/Input Cord: Not Applicable, Approvals: CB 230V CoC Tier 2 South African ETL IP42 PSE PSE PSE CE China RoHS Level VI RoHS Ukraine VCCI WEEE ETL S-Mark RCM CB Double Insulation CB S-Mark EAC LPS South African

Model No. GTM96600-6012-T2A

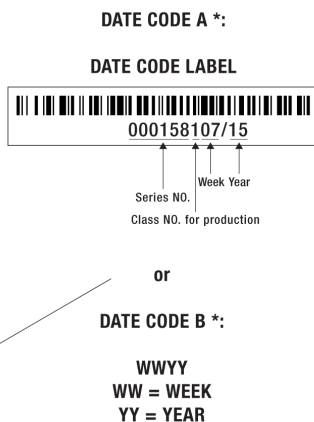
Part No./Ordering No. TR9WE5000LCPCIMR6B

Rev B1

**LABEL:L-1186**

LABEL P/N: Standard GT  
 MATERIAL: Flat Thermal Transfer, Imprintable, Polyester Label and/or Pad Printed and/or Molded, and/or Laser Engraved in the case  
 BACKGROUND COLOR: Black if housing is Black, White or Silver if housing is White or Gray.  
 TEXT COLOR: White or Silver if label is Black Background for Black housing. Black if label is White or Silver background and Housing is White or Gray  
 LABEL WIDTH (mm): 35.0  
 LABEL HEIGHT (mm): 70.0

Below is the minimum information which will appear on the label. NOTE: in the logo area additional/actual positioning of symbols and text is subjected to change as per agency updates/requirements or additional model approvals become available. Regulatory certifications/label markings may be in logo area on the label or molded into the case housing outside the label area. Information will be shown via label and/or pad printed and/or molded and/or laser engraved in the case. \* Date code markings at GlobTek option.



A=ITE / Medical Power Supply  
 B=P/N: (料号) TR9WE5000LCPCIMR6B  
 C=Model (型号) GTM96600-6012-T2A  
 D=Input (输入) 100-240V~, 50-60Hz, 1.5A  
 E=Output (输出) 12 V 5 A ,60.0W

- AGENCY ONLINE DOCUMENTS <http://www.globtek.info/certs/GTM96600-TZ/>
- CE EC-Declaration for Medical [http://www.globtek.com/pdf/ec\\_declaration/a0Oa000000FiiIYEAZ](http://www.globtek.com/pdf/ec_declaration/a0Oa000000FiiIYEAZ)
- CE EC-Declaration for Industrial/Commercial/ITE [http://www.globtek.com/pdf/ec\\_declaration/a0Oa000000FiiIYEAZ](http://www.globtek.com/pdf/ec_declaration/a0Oa000000FiiIYEAZ)
- RoHS/RoHS2 Declaration [http://www.globtek.com/pdf/rohs\\_cert/01ta0000007dRGdAAM](http://www.globtek.com/pdf/rohs_cert/01ta0000007dRGdAAM)
- REACH Declaration [http://www.globtek.com/pdf/iso\\_certificates/REACH.pdf](http://www.globtek.com/pdf/iso_certificates/REACH.pdf)

GlobTek, Inc.  
www.globtek.com  
186 Veterans Drive,  
Northvale, NJ 07647  
Tel. (201) 784-1000  
Fax (201) 784-0111

Drawing Title: GTM96600-6012-T2A, ITE / Medical Power Supply, Efficiency Level: VI, Case Color/Style: GlobTek Black, Desktop/External, Regulated Switchmode AC-DC Power Supply AC Adaptor, Input Rating: 100-240V~, 50-60Hz, IEC 60320/C18 , Output Rating: 60W, 12V@5A, Output Configuration: 1200 mm, 16/1C + Shield Cond, UL 1185, Female Barrel 5.5 \* 2.5 \* 11mm with internal Spring Clip and Locking Notch or Equal, Ferrite: Core Size: RH 14.2\*28.5\*10, GlobTek Black, GT Cord # C4746, Pin Out: Center Positive (+V), Blades/Input Cord: Not Applicable, Approvals: CB 230V CoC Tier 2 South African ETL IP42 PSE PSE PSE CE China RoHS Level VI RoHS Ukraine VCCI WEEE ETL S-Mark RCM CB Double Insulation CB S-Mark EAC LPS South African

Model No. GTM96600-6012-T2A

Part No./Ordering No. TR9WE5000LCPCIMR6B

Rev B1

Conflict Minerals Declaration

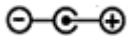
<http://www.globtek.com/pdf/conflict-minerals.pdf>

IPXY rating is based on 3rd party testing and customers should check suitability and test system level IPXY rating before ordering.

## Regulatory Certifications/Label Markings

LATEST PRODUCT/MODEL CERTIFICATIONS: <http://en.globtek.com/datasheet/id/a00a000000FiiIY>

AGENCY ONLINE DOCUMENTS: <http://www.globtek.info/certs/GTM96600-TZ/>



Center Positive (+V)

GlobTek, Inc.  
www.globtek.com  
186 Veterans Drive,  
Northvale, NJ 07647  
Tel. (201) 784-1000  
Fax (201) 784-0111

Drawing Title: GTM96600-6012-T2A, ITE / Medical Power Supply, Efficiency Level: VI, Case Color/Style: GlobTek Black, Desktop/External, Regulated Switchmode AC-DC Power Supply AC Adaptor, Input Rating: 100-240V~, 50-60Hz, IEC 60320/C18 , Output Rating: 60W, 12V@5A, Output Configuration: 1200 mm, 16/1C + Shield Cond, UL 1185, Female Barrel 5.5 \* 2.5 \* 11mm with internal Spring Clip and Locking Notch or Equal, Ferrite: Core Size: RH 14.2\*28.5\*10, GlobTek Black, GT Cord # C4746, Pin Out: Center Positive (+V), Blades/Input Cord: Not Applicable, Approvals: CB 230V CoC Tier 2 South African ETL IP42 PSE PSE PSE CE China RoHS Level VI RoHS Ukraine VCCI WEEE ETL S-Mark RCM CB Double Insulation CB S-Mark EAC LPS South African

Model No. GTM96600-6012-T2A

Part No./Ordering No. TR9WE5000LCPCIMR6B

Rev B1

## PACKAGING

Packing Spec P/N: Standard DT, Individually  
Box

Box Qty: 20

Gift Box Size (mm): Egg Crate

Gift Box Color: White

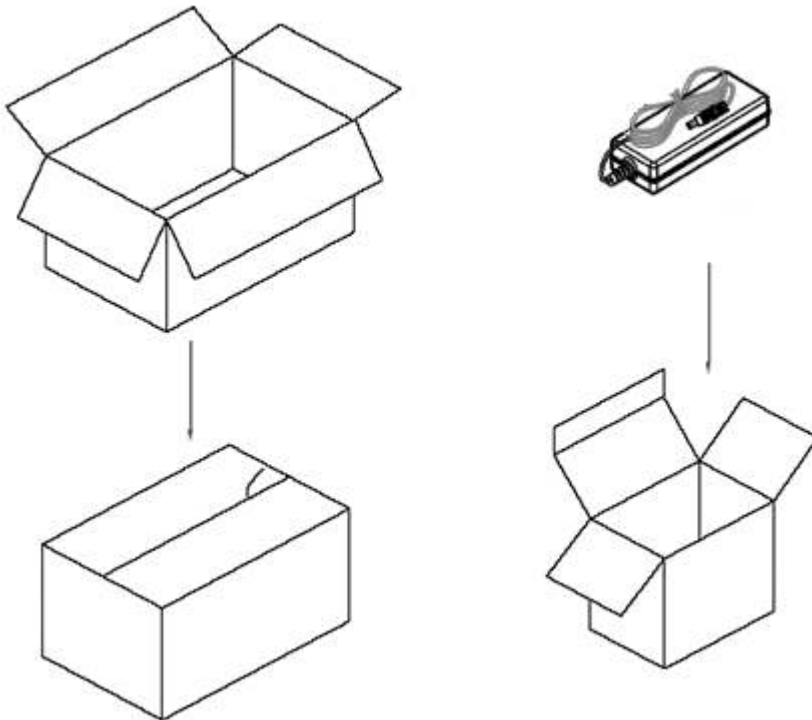
Master Carton Size (mm): 427\*405\*158

Master GW (Kg): 15.6 kg

BLADES INCLUDED: N/A:

BLADE/CORD INSTALLED: N/A:

If specific packaging is required, this section must specify all requirements and note "no exceptions". If this section does not specify packaging, it is subject to change without notice at GlobTek's discretion



GlobTek, Inc.  
www.globtek.com  
186 Veterans Drive,  
Northvale, NJ 07647  
Tel. (201) 784-1000  
Fax (201) 784-0111

Drawing Title: GTM96600-6012-T2A, ITE / Medical Power Supply, Efficiency Level: VI, Case Color/Style: GlobTek Black, Desktop/External, Regulated Switchmode AC-DC Power Supply AC Adaptor, Input Rating: 100-240V~, 50-60Hz, IEC 60320/C18 , Output Rating: 60W, 12V@5A, Output Configuration: 1200 mm, 16/1C + Shield Cond, UL 1185, Female Barrel 5.5 \* 2.5 \* 11mm with internal Spring Clip and Locking Notch or Equal, Ferrite: Core Size: RH 14.2\*28.5\*10, GlobTek Black, GT Cord # C4746, Pin Out: Center Positive (+V), Blades/Input Cord: Not Applicable, Approvals: CB 230V CoC Tier 2 South African ETL IP42 PSE PSE PSE CE China RoHS Level VI RoHS Ukraine VCCI WEEE ETL S-Mark RCM CB Double Insulation CB S-Mark EAC LPS South African

Model No. GTM96600-6012-T2A

Part No./Ordering No. TR9WE5000LCPCIMR6B

Rev B1

## INSTRUCTION SHEET

N/A