



Chipsmall Limited consists of a professional team with an average of over 10 year of expertise in the distribution of electronic components. Based in Hongkong, we have already established firm and mutual-benefit business relationships with customers from,Europe,America and south Asia,supplying obsolete and hard-to-find components to meet their specific needs.

With the principle of “Quality Parts,Customers Priority,Honest Operation,and Considerate Service”,our business mainly focus on the distribution of electronic components. Line cards we deal with include Microchip,ALPS,ROHM,Xilinx,Pulse,ON,Everlight and Freescale. Main products comprise IC,Modules,Potentiometer,IC Socket,Relay,Connector.Our parts cover such applications as commercial,industrial, and automotives areas.

We are looking forward to setting up business relationship with you and hope to provide you with the best service and solution. Let us make a better world for our industry!



Contact us

Tel: +86-755-8981 8866 Fax: +86-755-8427 6832

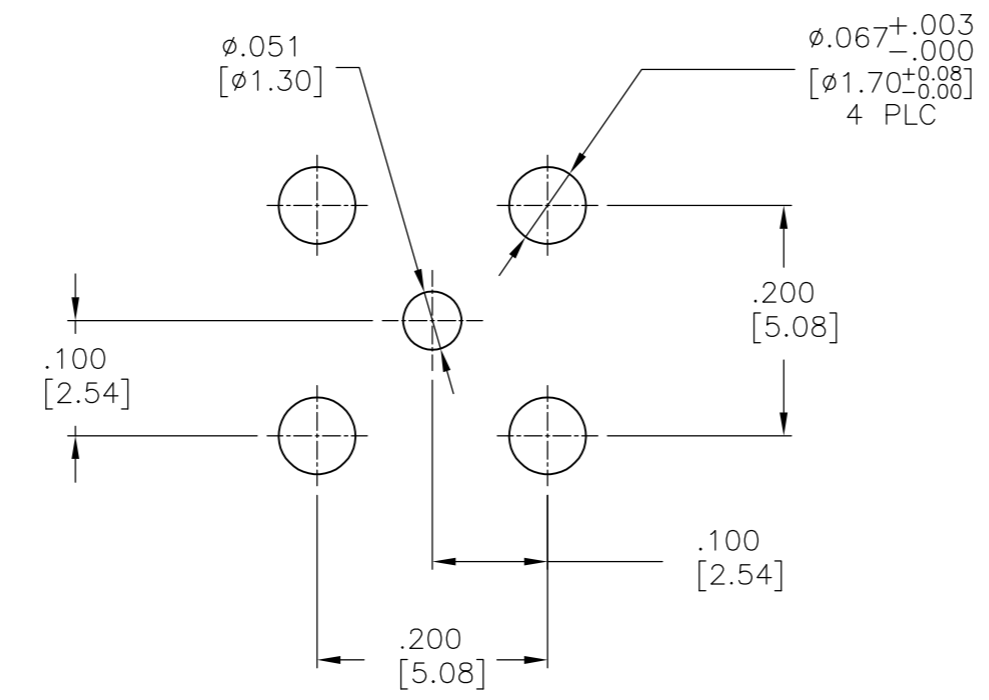
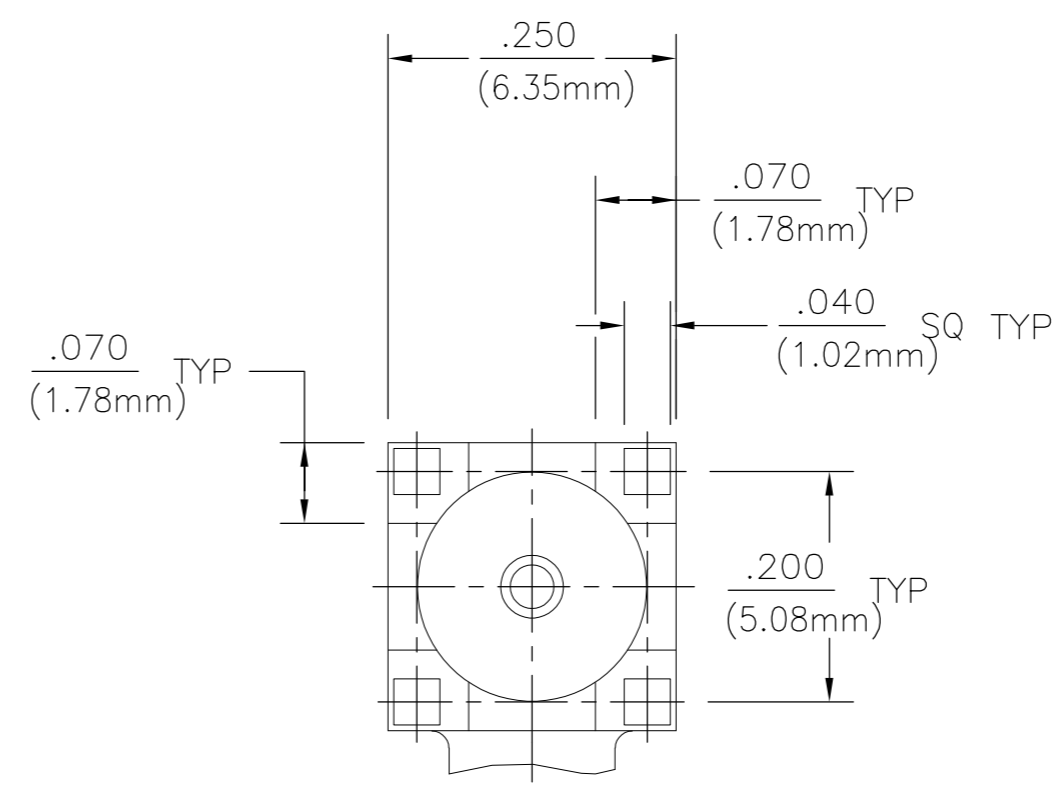
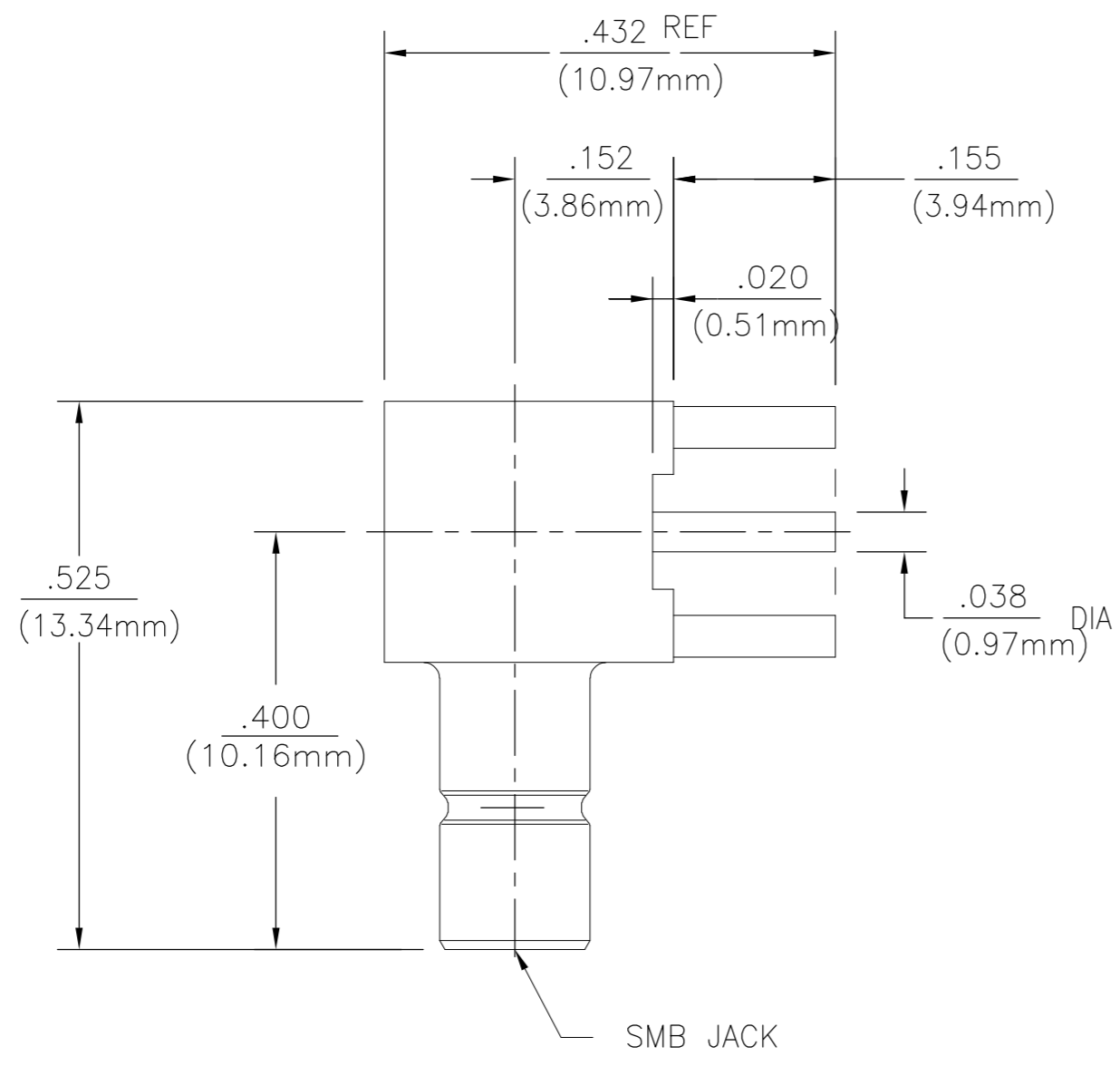
Email & Skype: info@chipsmall.com Web: www.chipsmall.com

Address: A1208, Overseas Decoration Building, #122 Zhenhua RD., Futian, Shenzhen, China



THIS DRAWING IS UNPUBLISHED. RELEASED FOR PUBLICATION
 © COPYRIGHT BY TYCO ELECTRONICS CORPORATION. ALL INTERNATIONAL RIGHTS RESERVED.

Loc		DIST		REVISIONS			
AJ	16	P	LTR	DESCRIPTION	DATE	DWN	APVD
		D		REV PER ECO 08-031174	30DEC2008	DW	JL



RECOMMENDED PCB LAYOUT

1060464-1		PART NUMBER	
HOUSING, CAP & CENTER CONTACT	BRASS PER ASTM-B-16, HALF HARD	GOLD PLATE PER MIL-G-45204	
DIELECTRIC	PTFE FLUOROCARBON PER ASTM-D-1457	N/A	
COMPONENT	MATERIAL	FINISH	

THIS DRAWING IS A CONTROLLED DOCUMENT.		DWN	J. HAVENER	25JUL2002	Tyco Electronics Corporation Harrisburg, PA 17105-3608		
DIMENSIONS: INCHES [mm]		CHK	J. HAVENER	25JUL2002	NAME		
TOLERANCES UNLESS OTHERWISE SPECIFIED:		APVD	K. WEIDNER	25JUL2002	SMB RIGHT ANGLE PRINTED CIRCUIT BOARD JACK (5164-5003-09)		
0 PLC ± -		PRODUCT SPEC		SIZE		CAGE CODE	DRAWING NO
1 PLC ± -		APPLICATION SPEC		A2		00779	1060464-1
2 PLC ± -		WEIGHT		SCALE		SHEET	REV
3 PLC ± .005 [0.13]		CUSTOMER DRAWING		6:1		1 of 1	D
4 PLC ± -							
ANGLES ± 1°							
FINISH							
SEE TABLE							

1060464-1